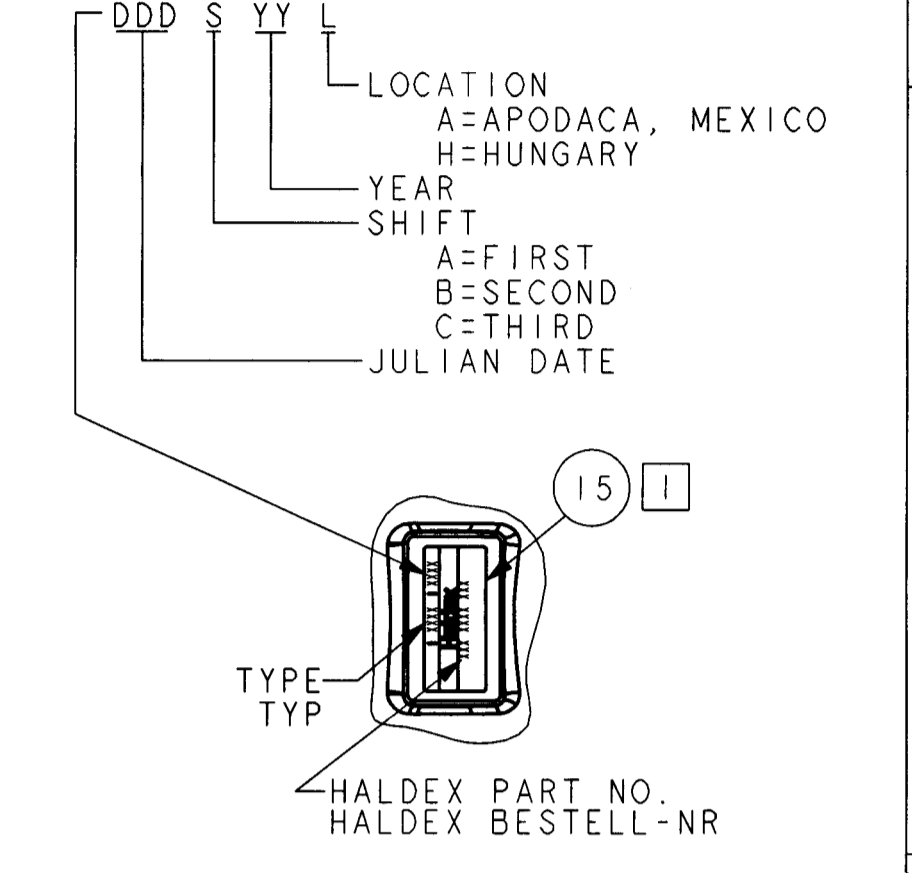
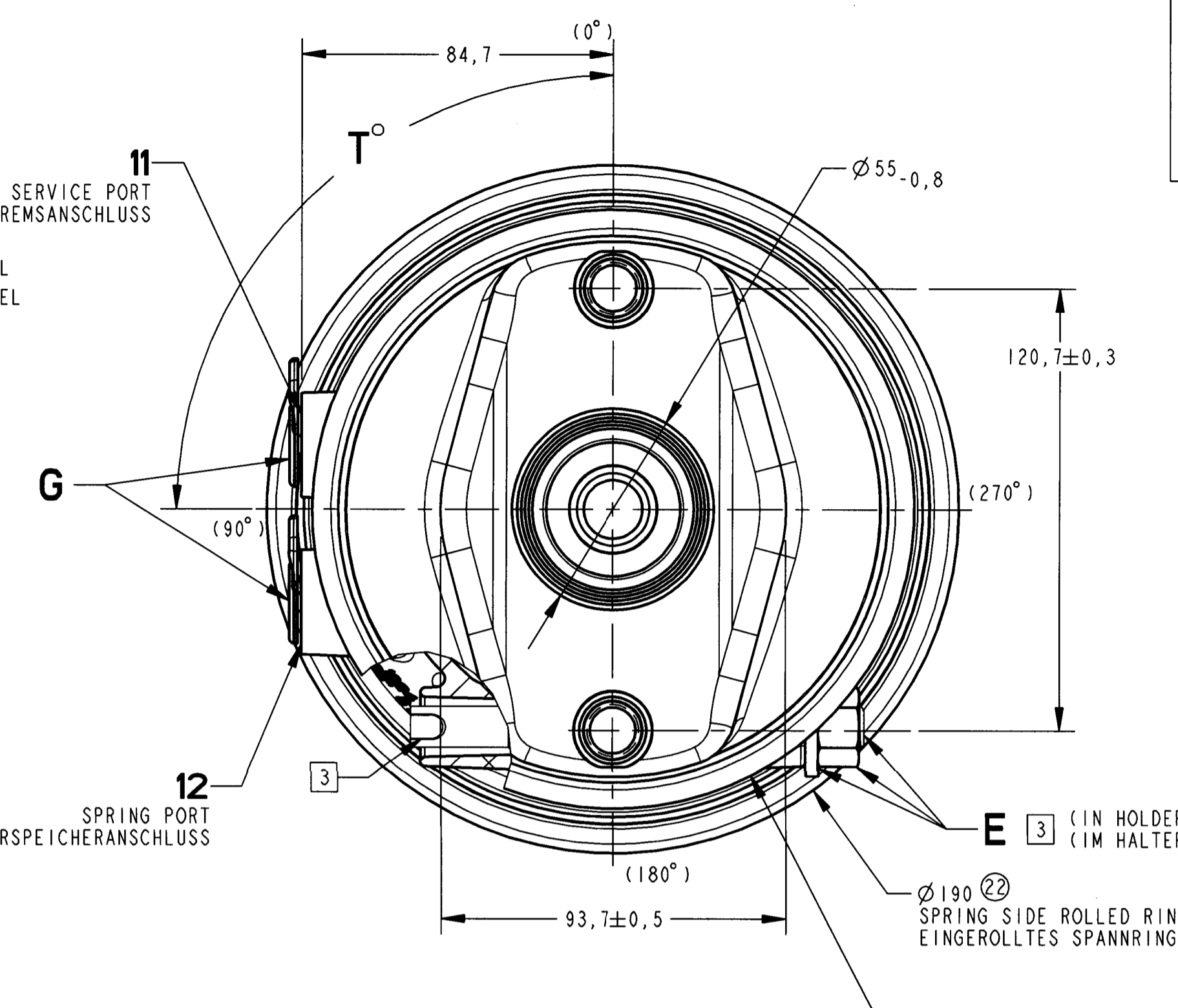
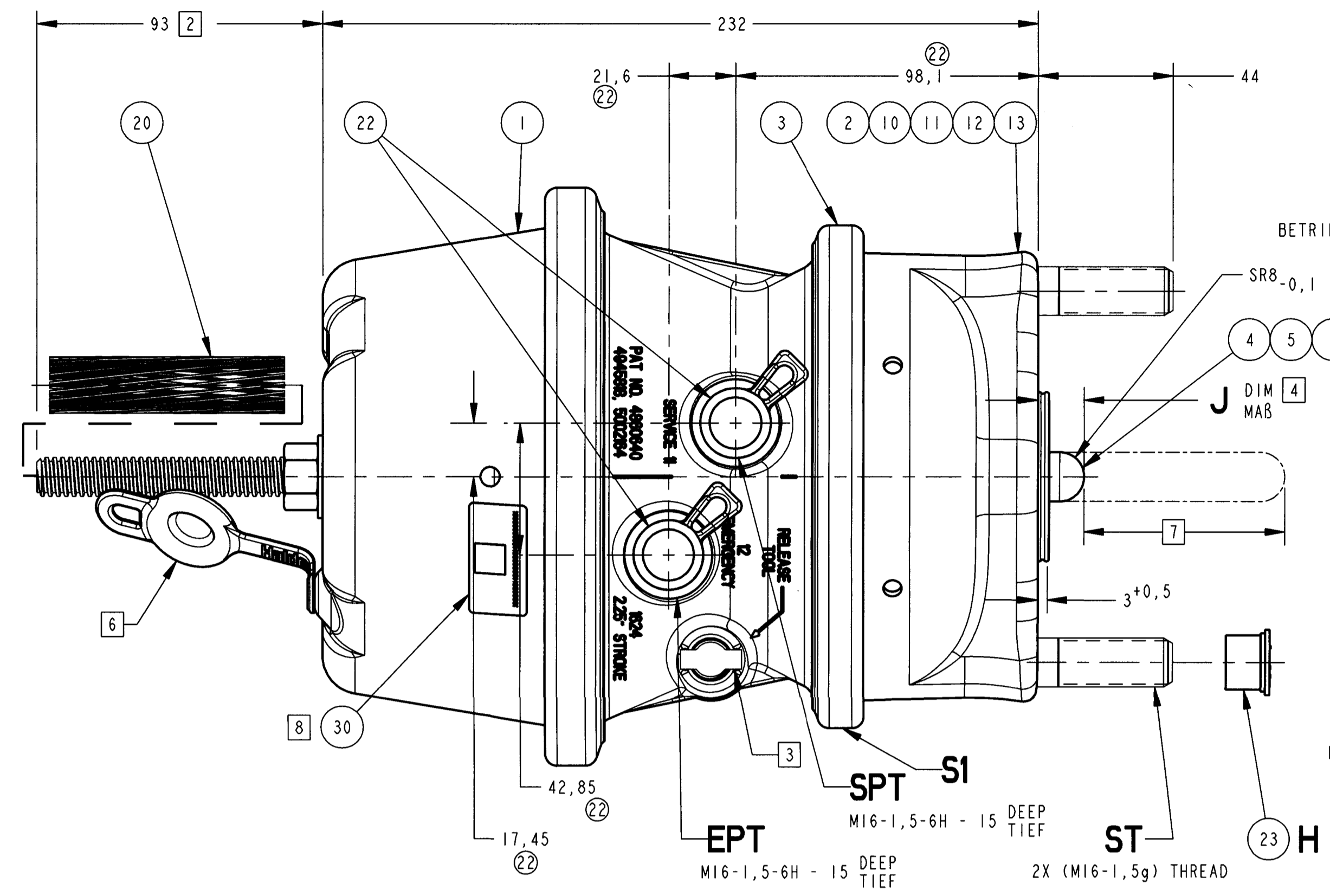
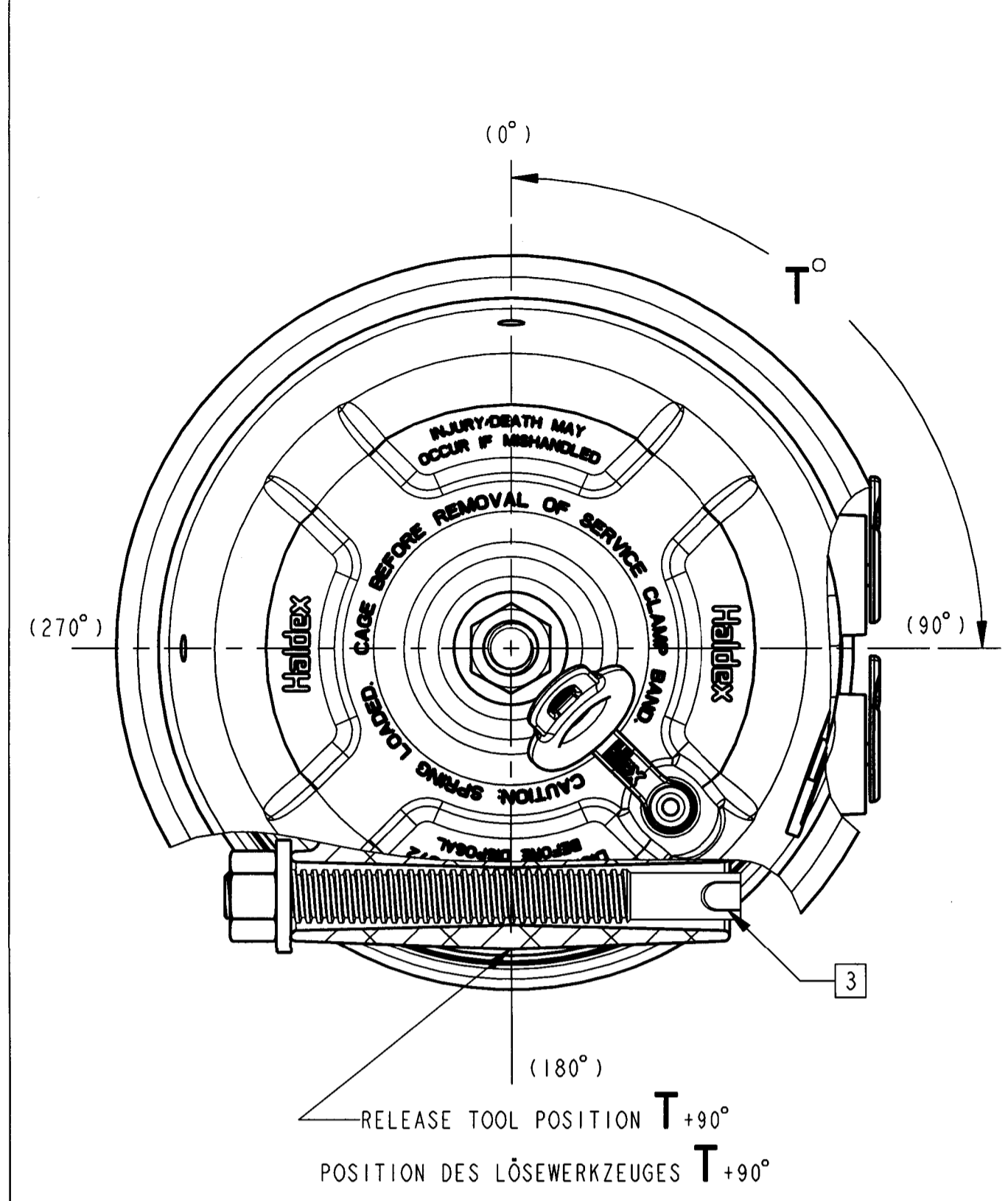


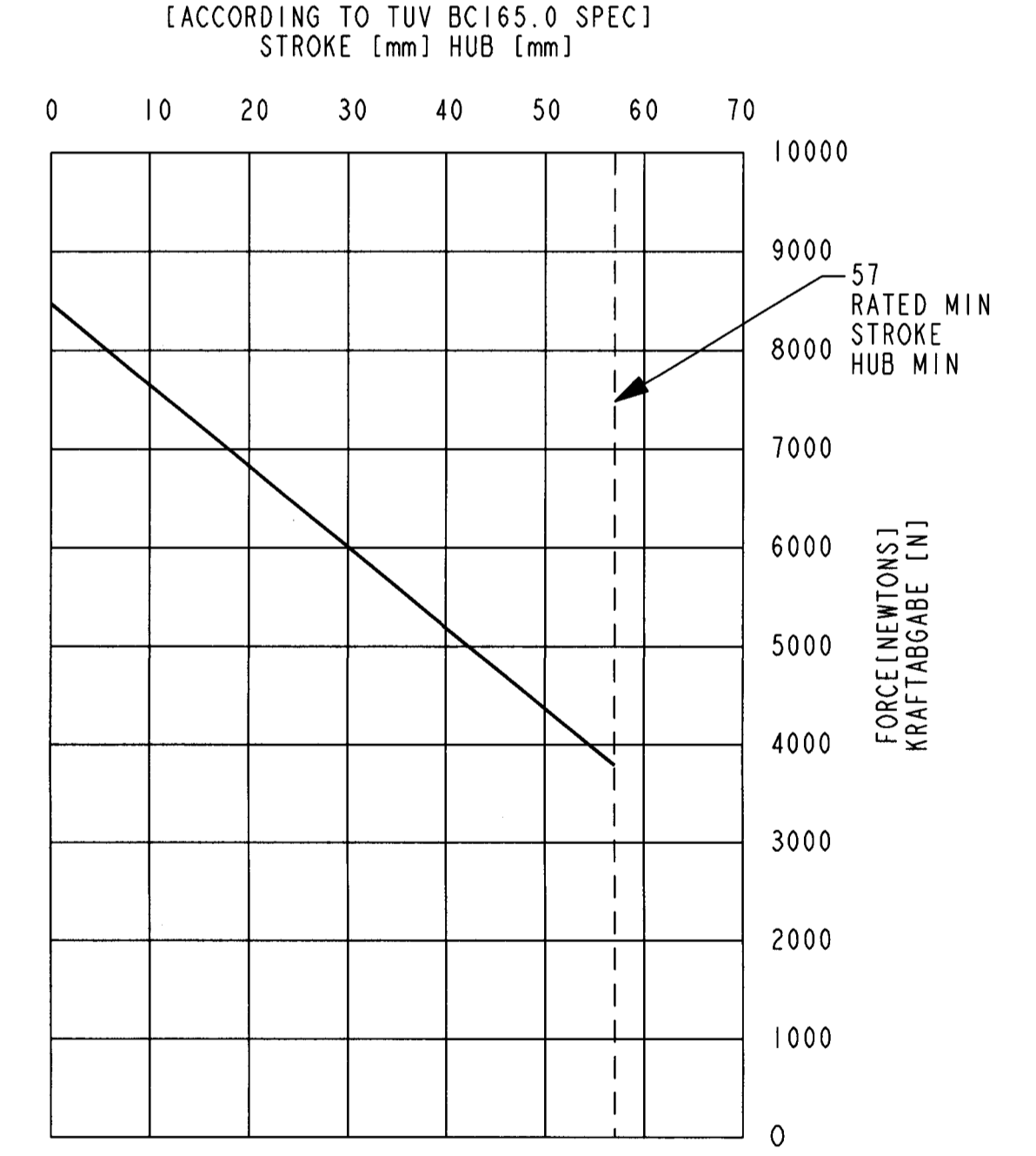
Let.	Revision	Date	Dr.	CK.	App.
22	PORT LOCATION CHANGE 98.1 was 95.3 21.6 was 25.4 42.85 was 41.15 17.45 was 15.75 Ø 190 was Ø 188 (13-321)	31 Jul 2013	DCR	SK	BE



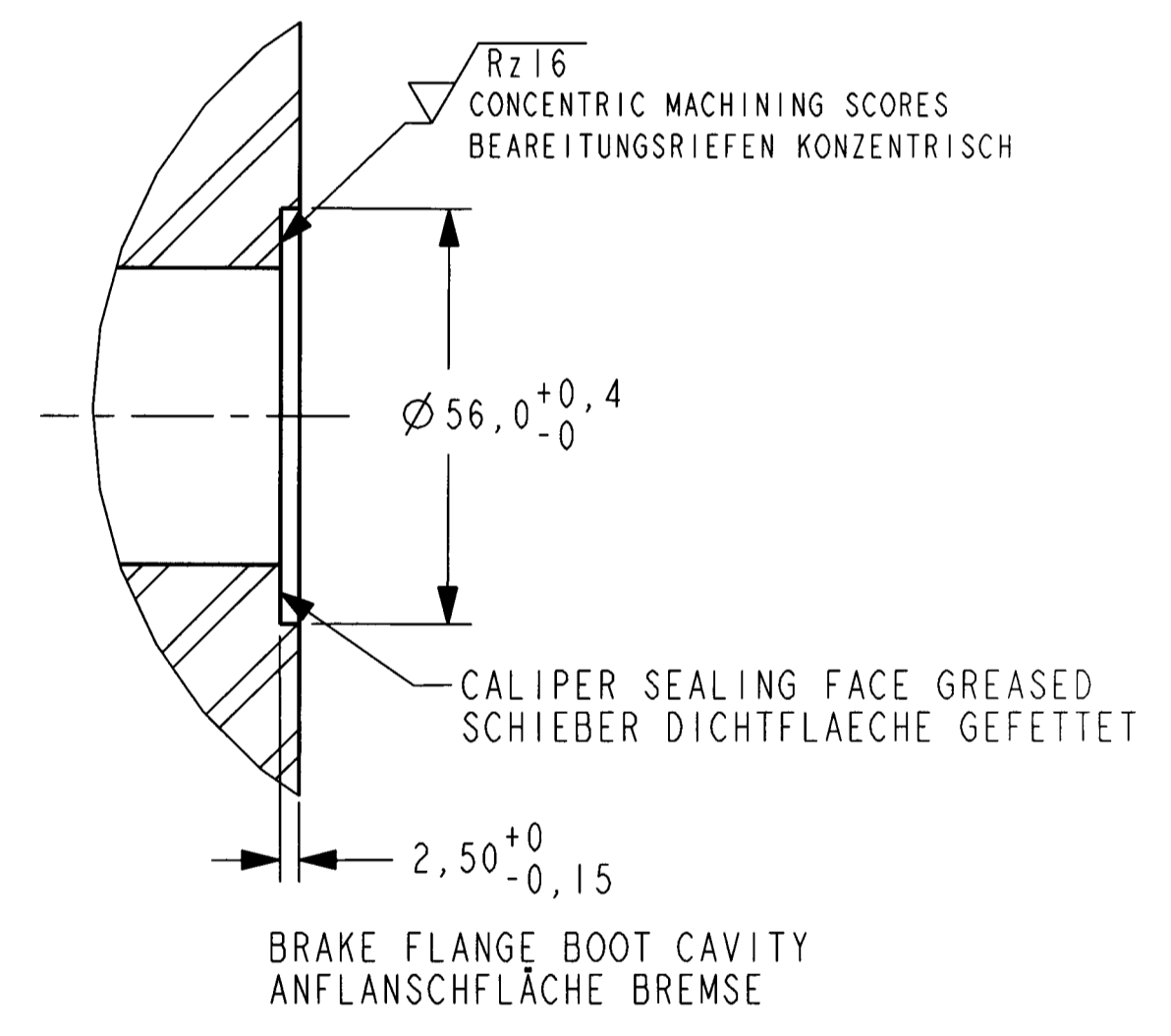
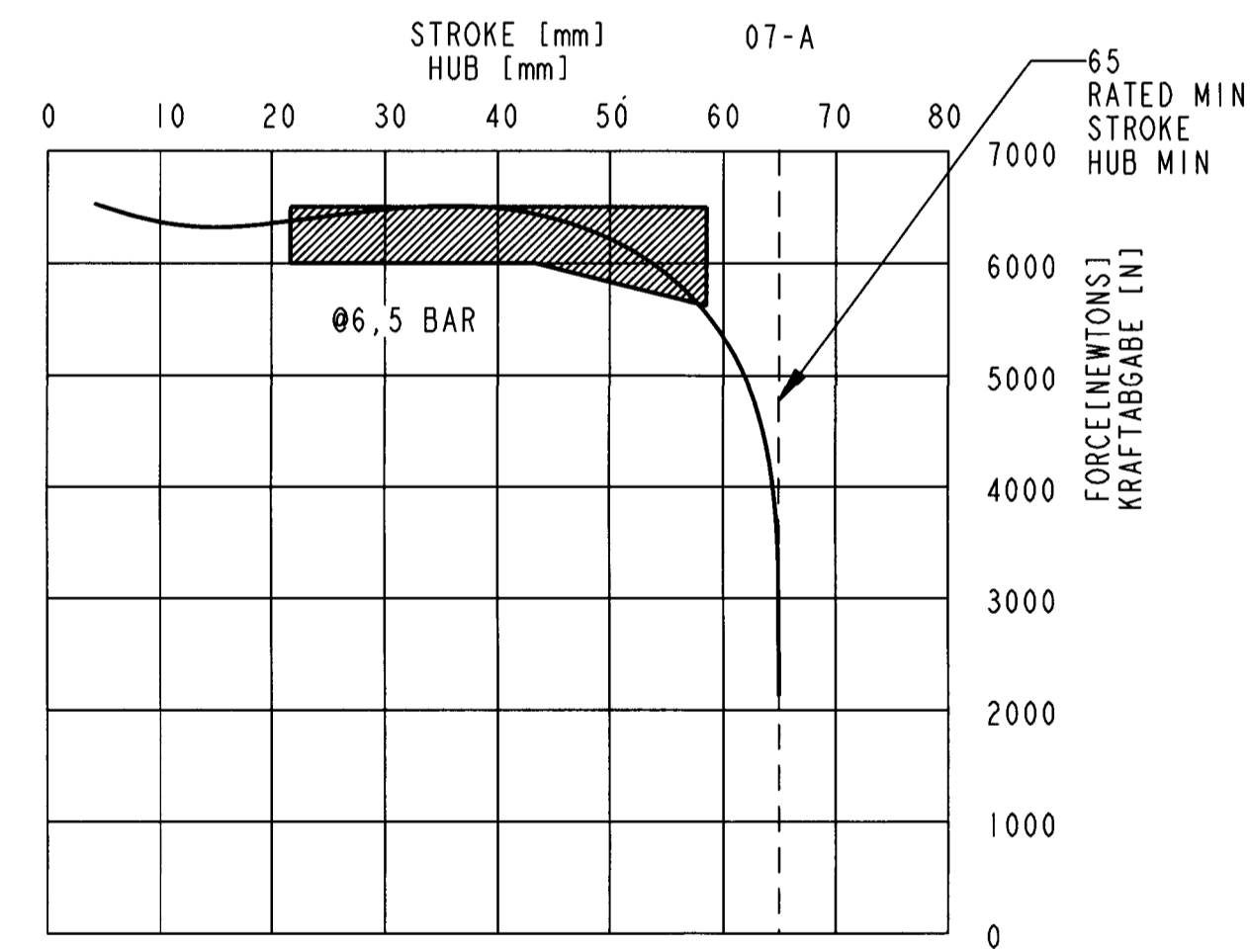
TORQUE TABLE
TABELLE DER ANZIEHDREHMOMENTE

ITEM	N*m
NUT TO STORE CAGE TOOL MUTTER IM LÖSEBOLZEN IM HALTER ZU BEFESTIGEN	11-30
M16 MOUNTING NUTS BEFESTIGUNGSMUTTERN	180-210
M16 PORT FITTINGS ANSCHLUSSVERSCHRAUBUNG	35-40

SPRING CHAMBER PERFORMANCE T-24
KRAFTABGABE FEDERSPEICHER



SERVICE CHAMBER PERFORMANCE T-16
TOLERANCE BAND (ACCORDING TO DIN 74060-3)



SYSTEM OPERATING PRESSURE: 10,2 BAR
BETRIEBSDRUCK:

RELEASE PRESSURE: 5,2 BAR @ 10,0 STROKE
LOSEDRUCK (FBA):

PISTON RETURN SPRING, SERVICE SIDE, MINIMUM RETURN FORCE:
MINDESKRAFT DER KOLBENRÜCKSTELLFEDER IM BETRIEBSBREMSTEIL: 150±30N

ACTUATOR MAY BE INSTALLED ON THE VEHICLE WITH MOUNTING STUDS ORIENTED IN ANY POSITION
ZYLINDER DARF IM FAHRZEUG MIT BELIEBIGER ORIENTIERUNG DER BEFESTIGUNGSBOLZEN MONTIERT WERDEN

UNIT SHOWN IN BRAKE RELEASED POSITION
ZYLINDER IN UNBETAETIGTER STELLUNG DARGESTELLT

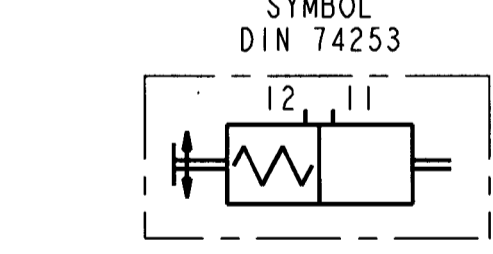
- MARK PART NUMBER AND DATE CODE PER HALDEX SPEC ESD-3023-Y IN AREA SHOWN IM DARGESTELLTEN BEREICH BESTELL- NR. UND DATUMSCODE EINGEPRAEGT NACH HALDEX SPEZIFIKATION ESD-3023-Y ANGEBRACHT
- DIMENSION APPLIES WHEN UNIT IS SHIPPED CAGED, IN BRAKE RELEASED POSITION (AS SHOWN) MAß ERSCHEINT WENN ZYLINDER GELÖBT - ANLIEFERUNGSZUSTAND WIE DARGESTELLT
- TEE HEAD OF RELEASE TOOL TO BE POSITIONED ON THE SAME SIDE AS INLET PORTS WHEN INSTALLED IN HOLDER DER KOPF DES LÖSEBOLZENS BEFINDET SICH AUF DER SEITE DER ANSCHLÜSSE, WENN DER BOLZEN IM HALTER VERSTAUT IST
- J DIM IS WITH THE UNIT IN BRAKE RELEASED POSITION MAB IN DER POSITION GELÖBT
- THESE ITEMS SHIPPED IN HARDWARE KIT ATTACHED TO MOUNTING STUD IM ANLIEFERUNGSZUSTAND IST DER MONTAGESATZ AN DEN BEFESTIGUNGSBOLZEN ANGEHÄNGT
- CLOSE CENTER HOLE WITH DUST PLUG WHEN CAGE TOOL IS REMOVED NACH DEM ENTFERNEN DES LÖSEWERKZEUGES BOHRUNG MIT STAUBSCHUTZKAPPE VERSCHLIEßEN
- SPRING SIDE STROKE MIN FEDERSPEICHER HUB MIN :57mm SERVICE SIDE STROKE MIN HUB BETRIEBSBREMSTEIL MIN :65mm
- BAR CODE LABEL ATTACHED IN APPROXIMATE LOCATION SHOWN BAR CODE ETIKETT IM DARGESTELLTEN BEREICH ANGEBRACHT

1351624015	NO	YES	YES	YES	15	0°	NO	1187325	R/
1351624014	NO	YES	YES	YES	15	270°	NO	1187324	R/
1351624003	NO	YES	YES	YES	15	270°	NO	1000835	R/C
1351624002	NO	YES	YES	YES	15	0°	NO	1036511	R/C
PART NUMBER BESTELL-NR.	IN HOLDER QTY 1	CAGED W/TOOL QTY 1	G THREAD PROTECTOR GEWINDESCHUTZKAPPE QTY 2	H END PROTECTOR SCHUTZKAPPE QTY 2	J ±1 DIM MAB	T ±5° PORTS ANSCHLUSS	KIT, [5] HARDWARE QTY 1	CUSTOMER PART NUMBER KUNDENNUMMER	R E L
	E	CAGE TOOL LÖSEWERKZEUG							

GENERAL TOLERANCES
ALLGEMEIN TOLERANZEN

CLASS	THIS PART	HEIR	E 50	> 50	> 150	> 150	> 400	> 400
A			0,5	1,0	1,5	2,0		
B			1,0	2,0	3,0	4,0	±0,3	
C	X		2,0	3,5	5,0	6,5		

TAPPED HOLES ACCORDING TO ISO 4039 / JED-152



THIS DRAWING USES CLASSIFIED CHARACTERISTIC SYMBOLS DEFINED IN ENGINEERING PROCEDURE PRO-20

SCHMITZ
APPLICATION DRAWING
EINBAU ZEICHNUNG

30	BAR CODE LABEL	
23	PROTECTOR, END	DIMENSIONS UNLESS OTHERWISE SPECIFIED CONFORM WITH ASME Y14.5M
22	PROTECTOR, PORT	THIS DRAWING CONTAINS CONFIDENTIAL PROPRIETARY INFORMATION OF HALDEX BRAKE PRODUCTS CORPORATION AND IS SUBJECT TO RETURN UPON REQUEST. THE FURNISHING OF THIS DRAWING IS NOT TO BE CONSTRUED AS THE GRANT OF ANY LICENSE, EITHER EXPRESS OR IMPLIED, TO MANUFACTURE, HAVE MANUFACTURED, USE OR SELL THE STRUCTURES SHOWN HEREON.
20	PROTECTOR, THREAD	
15	LABEL	EDR Date: 8/2/2013 CN
13	LOCATOR, SPRING	SUPERSEDES: 8/2/2013 CN SUPERSEDED BY:
12	SPRING, BARREL	Third Angle Projection: TOLERANCES Unless Otherwise Specified 125/Finish per ANSI B46.1
11	DIAPHRAGM T-16, RING	1 Place ± ... 2 Place ± ... 3 Place ± ... Angular ± ...
10	BOOT	DO NOT SCALE DRAWING
6	WASHER, SHIM (1,0 mm)	MATERIAL: --- Material Approved
6	WASHER, SHIM (0,5 mm)	Weight: (15,2) lb (6,89) kg
5	ROD END, SPHERICAL	Drawn: J. CARRON 07-275
4	PUSHROD ASSY T-16	Checked: BRADFORD 13-JUL-07
3	CLAMPBAND ASSY T-16	Approved: BF 13-JUL-07
2	HSG ASSY, STUD T-16	ASSEM NAME: BLUE SEAL T-1624
1	PIGGYBACK T-1624	ASSEM NUMBER: 1351624002
ITEM	DESCRIPTION	Scale: NONE

1351624002



HALDEX BRAKE PRODUCTS CORPORATION
Kansas City, Missouri

ASSEMBLY NO. 1351624002
GENERIC MODEL NO. 1351624002