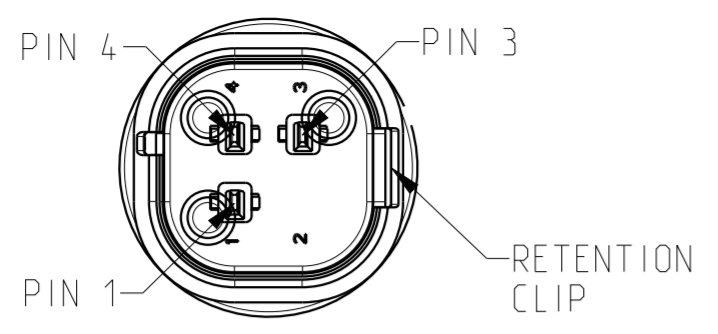


THIS DOCUMENT IS THE PROPERTY OF THE HALDEX GROUP, AND CONTAINS CONFIDENTIAL AND PROPRIETARY INFORMATION THAT CANNOT BE REPRODUCED, UTILIZED OR DIVULGED, IN WHOLE OR IN PART, WITHOUT WRITTEN AUTHORIZATION

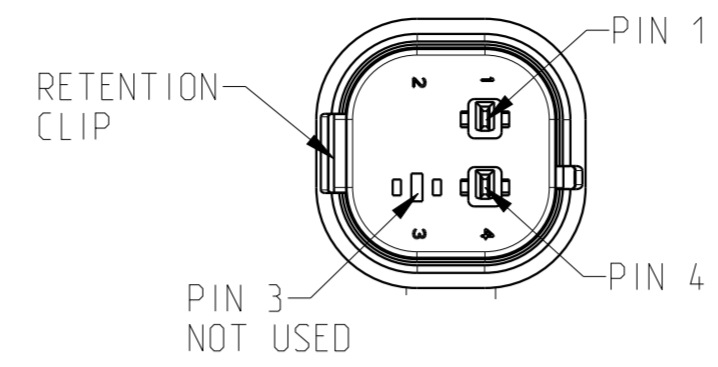
REV	CHANGE DESCRIPTION AND ORDER NUMBER	DATE	CHANGED	CHECKED	APPROVED
01	01356 - N 5: IP59 (IEC 60529) WAS IP6K9K (ISO 20653)	2022-01-07	P0287	MH060	MH060

NOTES.

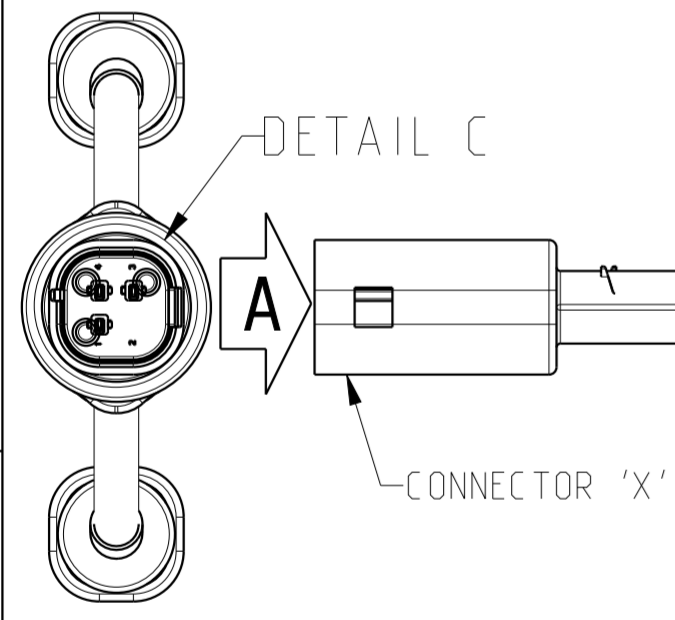
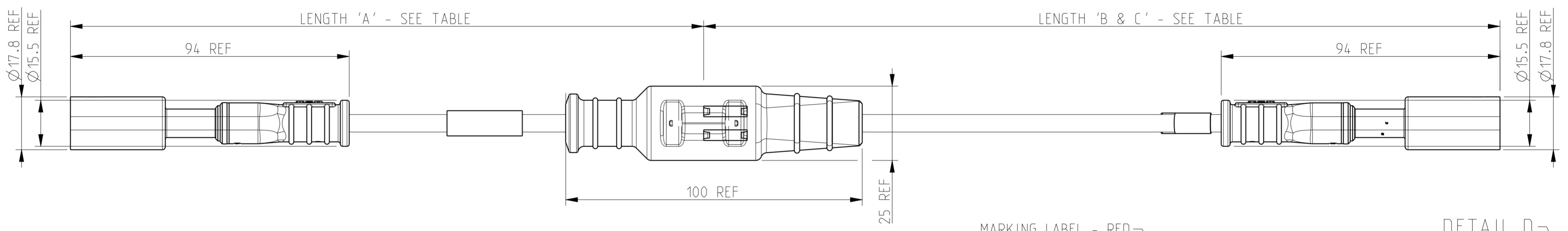
- N 1 CABLE ASSEMBLIES OVER 1.2m IN LENGTH TO BE SUPPLIED IN COILED CONDITION (NOT SHOWN).
- N 2 CABLE MATERIAL: PVC (FL(R)YY)
WIRE CROSS SECTIONAL AREA: 3x0.75mm²
- N 3 PART NUMBER IDENTIFICATION.
- N 4 CABLE ASSEMBLY RATED TO IP59 (IEC 60529).
CABLE ASSEMBLY FULLY CONFORMS TO ADR REQUIREMENTS.



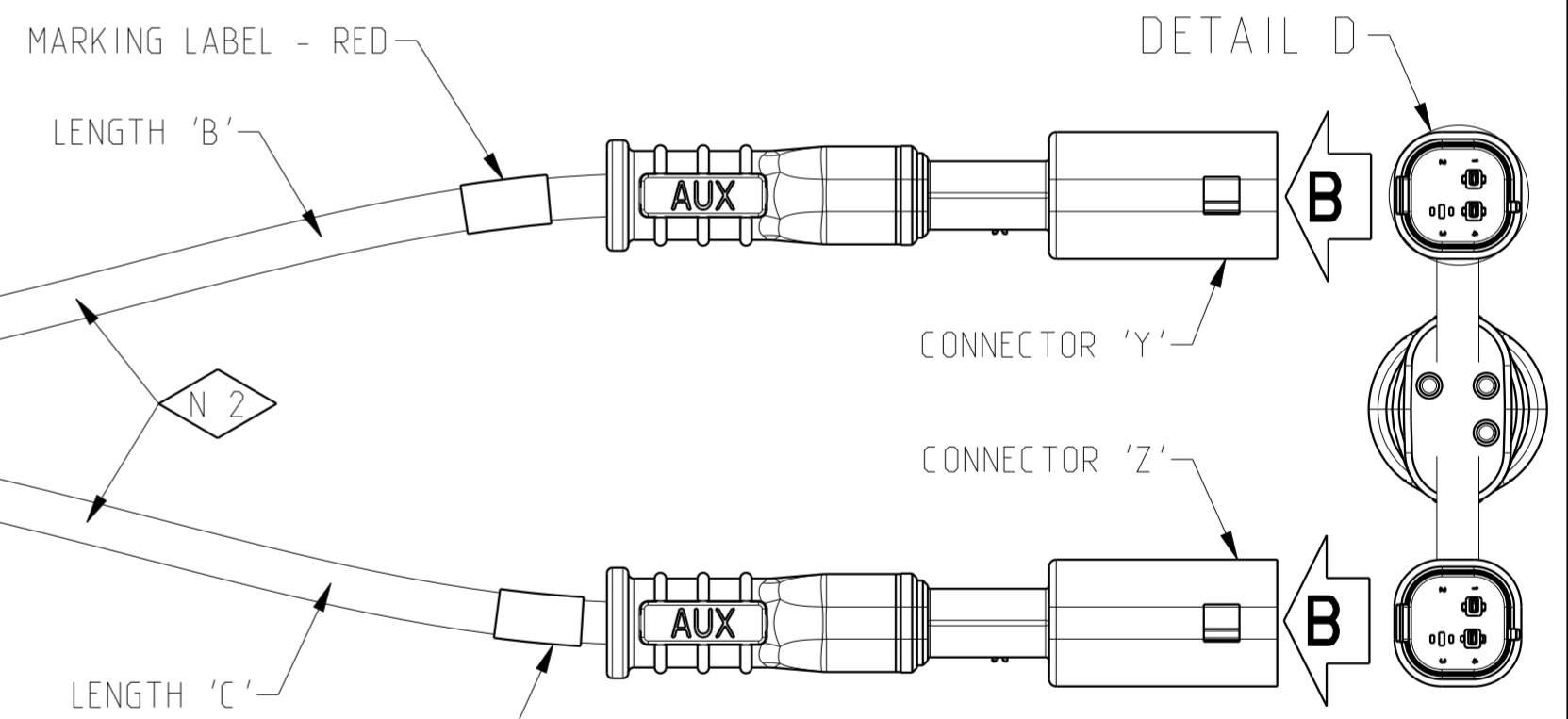
DETAIL C
2:1



DETAIL D
SAME PIN OUT 2x CONNECTORS
IN DIRECTION 'B'
2:1



VIEW IN DIRECTION OF ARROW 'A'



VIEW IN DIRECTION OF ARROW 'B'

FUNCTION	FROM CONN	FROM PIN	TO CONN	TO PIN	TO CONN	TO PIN
I/O 1	X	1	Y	1	Z	-
I/O 2	X	3	Y	-	Z	1
B-	X	4	Y	4	Z	4

ASSY No.	LENGTH 'A'	LENGTH 'B'	LENGTH 'C'
844_341_001	0.25M ±20%	0.25M ±20%	0.25M ±20%

TOLERANCE UNLESS OTHERWISE SPECIFIED	DOC TYPE	SCALE	MATERIAL		
-	ASSEM	1:1	-		
THIS DOCUMENT USES SPECIAL CHARACTERISTICS AS DEFINED IN PROCEDURE HDX2-3-364	DRAWN	DATE	WEIGHT (ONLY FOR INFO.)		
	KW 164	2020-11-10	kg		
	CHECKED	DATE	TITLE		
	MC028	2020-12-03	EB+ 4.0 AUXILIARY SPLITTER CABLE (F/F/F)		
HALDEX BRAKE PRODUCTS LTD MIRA TECHNOLOGY PARK	APPROVED	DATE	ITEM NUMBER		
	MC028	2020-12-15	844_341_000_2		
			PROJECTION	SHEET	FORMAT
			1(1)	1(1)	A2

GENERIC MODEL (INFO ONLY): 844_341_000_2