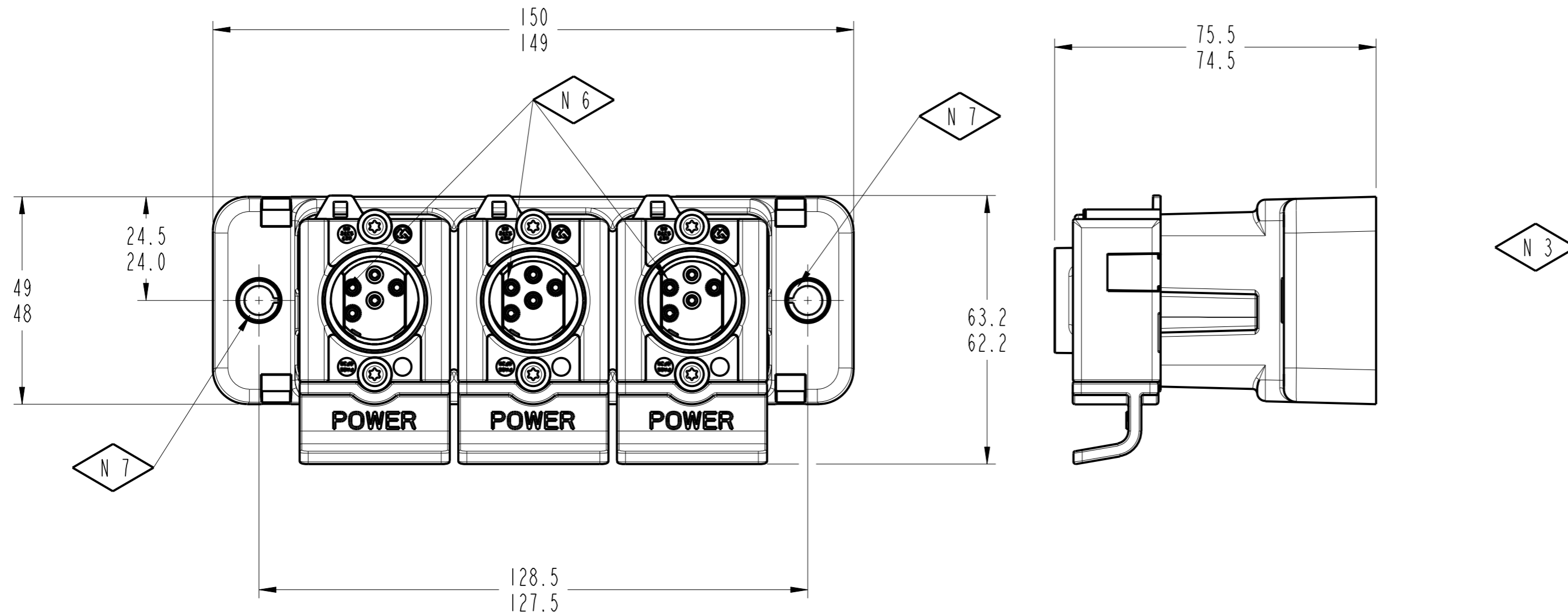
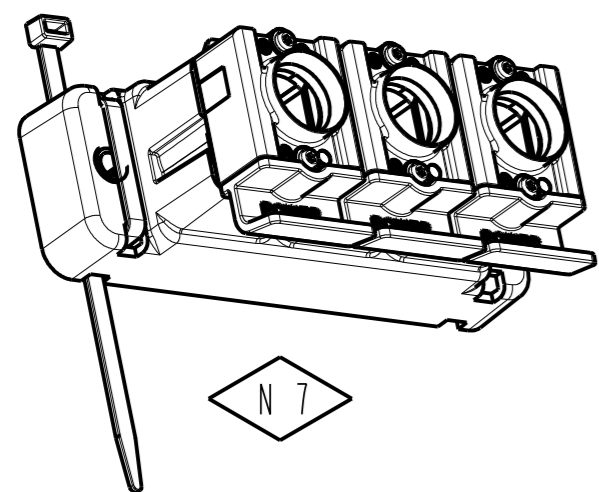


PART No. 364\_590\_000\_2

COMPUTER PRODUCED DRAWING  
MUST NOT BE CHANGED MANUALLY



- N1 UNIT TO BE POSITIONED TO GIVE MAXIMUM PROTECTION FROM PROJECTILES
- N2 OPERATING PARAMETERS;  
TEMPERATURE RANGE: -40°C TO +80°C  
INSTALLATION ATTITUDE: CONNECTIONS NOT TO FACE UPWARDS  
SEE INSTALLATION MANUAL: 006 300 022  
ELECTRICAL: 12/24V DC
- N3 POSITION OF ASSEMBLY PART NUMBER AND DATE CODE
- N4 CONFORMS TO IP67 (BS EN 60529) WHEN MATED WITH APPROPRIATE CABLE ASSEMBLIES
- N5 CARE MUST BE TAKEN DURING HANDLING OF ASSEMBLY:  
UNIT IS BENCH ROLL RESISTANT BUT NOT DROP RESISTANT:  
CARE MUST ALSO BE TAKEN DURING HANDLING DUE TO RISK OF INJURY THROUGH CONTACT WITH CORNERS AND SHARP EDGES
- N6 CONNECTION FOR ISO 7638 POWER CABLE (POWER A) (PURPLE)
- N7 ALTERNATIVE METHODS OF FIXING/MOUNTING. IF SCREWED FIXING IS UTILISED THEN USE M6 FASTENER AND TIGHTEN TO 4.5 - 6.1Nm.



SCALE 1:2

PART NUMBER	DESCRIPTION
364 590 001	INLINE ISO 7638 CABLE JUNCTION BOX WITH 5 PINS

**K M T** THIS DRAWING/SPECIFICATION USES CLASSIFIED CHARACTERISTIC SYMBOLS DEFINED IN QUALITY PROCEDURE 4.17

ISS	CHANGE	CHEC	DATE	ISS	CHANGE	CHEC	DATE
I	PR2080_26	JFB	09/05/13				
B	C6361	JFB	22/10/12				
A	DR0200	JFB	26/06/12				

**PRO ENGINEER PART**  
THIS DRAWING/DOCUMENT IS COPYRIGHT AND THE PROPERTY OF HALDEX BRAKE PRODUCTS LIMITED. IT MUST NOT BE COPIED (IN WHOLE OR IN PART) USED FOR MANUFACTURE OR OTHERWISE DISCLOSED WITHOUT PRIOR WRITTEN CONSENT OF THE COMPANY. ANY COPIES OF THIS DRAWING/DOCUMENT MADE BY ANY METHOD MUST ALSO INCLUDE A COPY OF THIS LEGEND.

NOTE: UNLESS OTHERWISE STATED THE FOLLOWING APPLIES  
1 ISO METHOD A PROJECTION.  
2 S.I. UNITS.  
3 SURFACE FINISH TO BS 308/BS 1134.  
4 DIMS. APPLY AFTER CHEMICAL OR ELECTRO-PLATED FINISH.  
5 WELD SYMBOLS TO BS 499.  
6 D DATUM DIMENSIONS.  
7 METRIC THREADS TO BS 3643/DIN 13.  
8 UNIFIED THREADS TO BS 1580.

ASSOC SPECS.			
MATERIAL	MODEL:	DATE:	
HEAT TREATMENT	DRAWN: JFB	DATE: 26/06/12	
FINISH	CHECKED JPH	DATE: 09/05/13	
FORM	APPROVED SPECIALIST JPH	DATE: 09/05/13	
	APPROVED FOR ISSUE JPH	DATE: 09/05/13	

TITLE  
**U-ABS ISO 7638 CABLE JUNCTION BOX**  
SCALE 1:1  
SHEET 1 OF 1

**Haldex**  
HALDEX BRAKE PRODUCTS LTD.  
MOONS MOAT DRIVE, REDDITCH, WORCS. B98 9HA  
PART No. **364\_590\_000\_2**  
A2