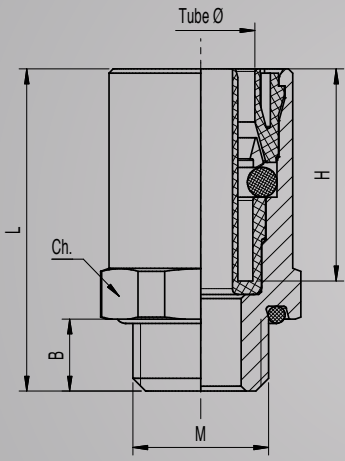


RTC PUSH-IN FITTINGS

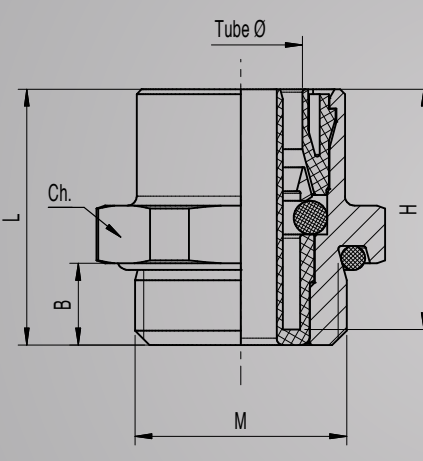
STRAIGHT MALE TERMINAL (TYPE A)

Part number	Tube Ø Ext x Int	M	B	H	L
0328001G18000-RTC	6x4	G1/8	6	19.8	30.2
03280011000-RTC	6x4	M10x1	7	19.8	31.3
03280014000-RTC	6x4	M12x1.5	8	19.8	31.3
03280024000-RTC	8x6	M12x1.5	8	20.5	23.5
03280046000-RTC	10x7	M16x1.5	8.5	24	36.45
03280064000-RTC	10x8	M12x1.5	8	24	36.45
03280066000-RTC	10x8	M16x1.5	8.5	24	36.45
03280094000-RTC	12x9	M12x1.5	8	25	36
03280096000-RTC	12x9	M16x1.5	8.5	25	36
03280098000-RTC	15x12	M16x1.5	8.5	27	40
03280099000-RTC	15x12	M22x1.5	8.5	27	40



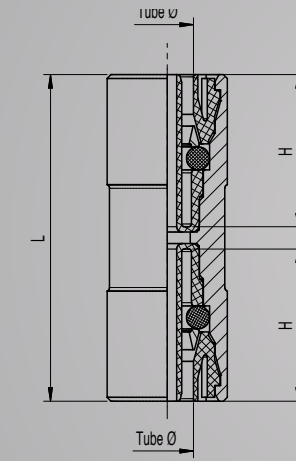
STRAIGHT MALE TERMINAL (TYPE B)

Part number	Tube Ø Ext x Int	M	B	H	L
03280015000-RTC	6x4	M14x1.5	8	19.8	31.3
03280016000-RTC	6x4	M16x1.5	8.5	19.8	23.5
03280017000-RTC	6x4	M22x1.5	8.5	19.8	23.5
03280021000-RTC	8x6	M10x1	5.5	20.5	30.4
03280026000-RTC	8x6	M16x1.5	8.5	20.5	24.4
03280027000-RTC	8x6	M22x1.5	8.5	20.5	20.15
03280047000-RTC	10x7	M22x1.5	8.5	24	24.65
03280067000-RTC	10x8	M22x1.5	8.5	24	24.65
03280097000-RTC	12x9	M22x1.5	8.5	25	26.6



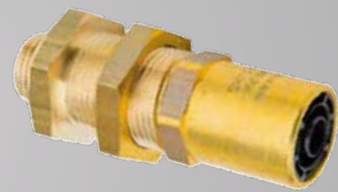
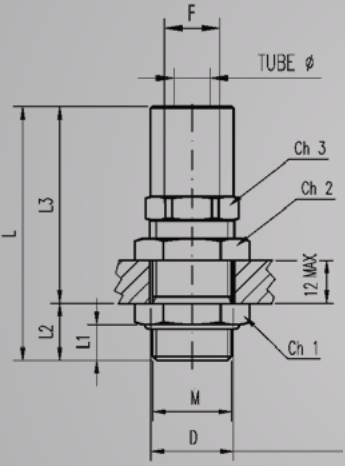
UNION

Part number	Tube Ø Ext x Int	H	L
03285010400-RTC	6x4	19.8	38
03285020400-RTC	8x6	20.5	43.6
03285040400-RTC	10x7	24	50.6
03285060400-RTC	10x8	24	50.6
03285090600-RTC	12x9	25	54.5



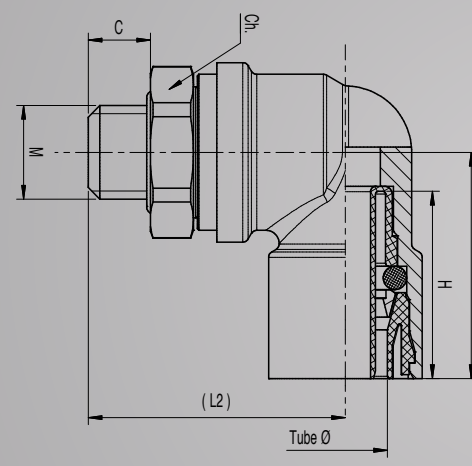
STUD BULKHEAD TERMINAL

Part number	Tube Ø Ext x Int	M	D	L	L1	L2	L3	CH1	CH2	CH3
03280327400-RTC	8x6	M22x1.5	19	59.7	9	15	32.7	28	24	18
03280396600-RTC	12x9	M16x1.5	23	69.5	8.5	16	41.5	28	28	22



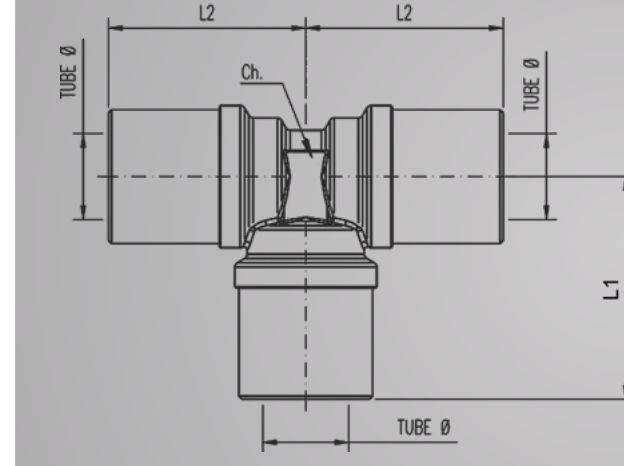
SWIVEL ELBOW STUD

Part number	Tube Ø Ext x Int	M	L	L1	L2	CH1	CH2
03281516400-RTC	6x4	M16x1.5	41.4	33	8.5	19	22
03281524400-RTC	8x6	M12x1.5	42.75	32.5	8	19	18
03281596600-RTC	12x9	M16x1.5	49.5	35	8.5	22	22
03281597600-RTC	12x9	M22x1.5	49.5	36	9	22	28



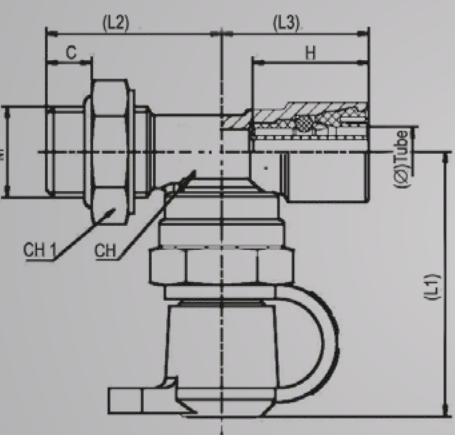
TEE UNION

Part number	Tube Ø Ext x Int	L1	L2
03287010400-RTC	6x4	26	26
03287020400-RTC	8x6	28.5	26
03287060400-RTC	10x8	33.5	31.5
03287090600-RTC	12x9	36	32



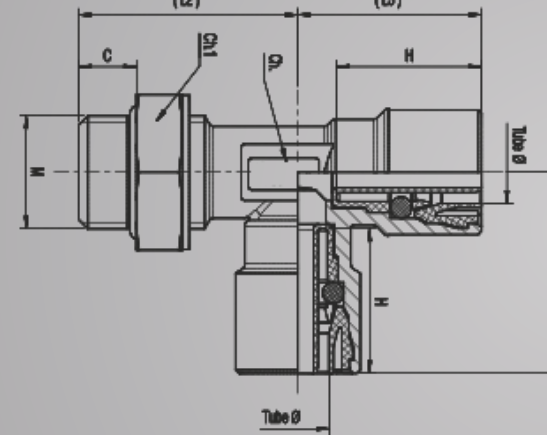
ADJUSTABLE TEE STUD WITH TEST POINT

Part number	Tube Ø Ext x Int	M	L	L1	L2	L3	CH	CH1
318058001-RTC	12x9	M16x1.5	47	36	45.5	10	22	22
03282397600-RTC	12x9	M22x1.5	47	36	45.5	10	28	22



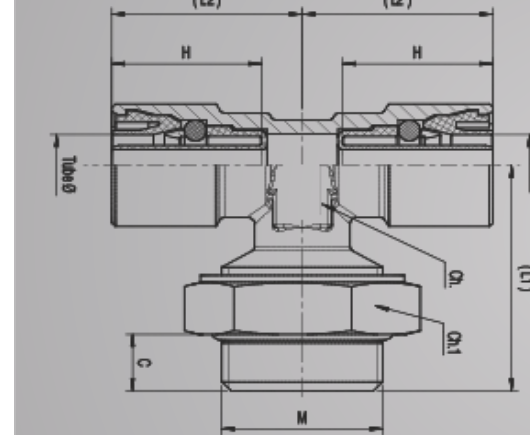
ADJUSTABLE TEE STUD (L-TYPE)

Part number	Tube Ø (mm) Ext x Int	M	L	L1	L2	CH1	CH2
03282026400-RTC	8x6	M16x1.5	40.25	34	10	17	22
03282097600-RTC	12x9	M22x1.5	47	36	10	22	28



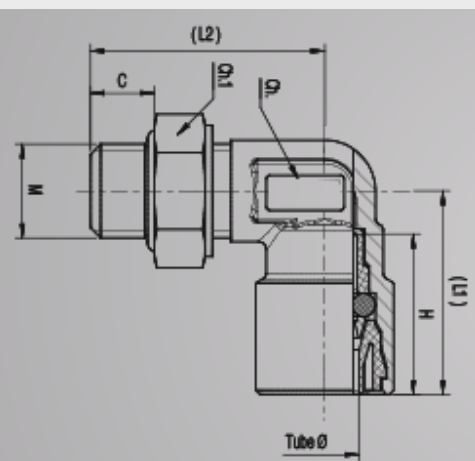
ADJUSTABLE TEE STUD (T-TYPE)

Part number	Tube Ø (mm) Ext x Int	M	L	L1	L2	CH1	CH2
03283024400-RTC	8x6	M12x1.5	40.25	34	10	17	17
03283026400-RTC	8x6	M16x1.5	40.25	34	10	17	22



ADJUSTABLE ELBOW STUD

Part number	Tube Ø Ext x Int	M	L	L1	L2	CH1	CH2
03281014400-RTC	6x4	M12x1.5	38.9	34	10	17	17
03280016400-RTC	6x4	M16x1.5	38.5	34	10	17	22
03281024400-RTC	8x6	M12x1.5	40.25	34	10	17	17
03281026400-RTC	8x6	M16x1.5	40.25	34	10	17	31
03281027400-RTC	8x6	M22x1.5	40.25	34	10	17	28
03281046400-RTC	10x7	M16x1.5	44.2	34	10	17	22
03281066400-RTC	10x8	M16x1.5	44.2	34	10	17	22
03281067400-RTC	10x8	M22x1.5	44.2	34	10	17	28
03281094600-RTC	12x9	M12x1.5	47	36	10	22	17
03281096600-RTC	12x9	M16x1.5	47	36	10	22	22
03281097600-RTC	12x9	M22x1.5	47	36	10	22	28
03281098600-RTC	15x12	M22x1.5	50.3	36	10	22	28



RTC TOOL

Part number	Tube Ø Ext x Int
RT006	6x4
RT008	8x6
RT010	10x7, 10x7.5, 10x8
RT012	12x9
RT015	15x12, 16x12



FOR MAINTENANCE

Part number	Description
760 407 001	Fitting case

