

Issued by  
Günter Leiberich

Introduction from serial No.

Date  
12.01.2007

Product affected  
601 00. ....

S/B No  
010 H

Title / Subject  
Load Sensing Valve

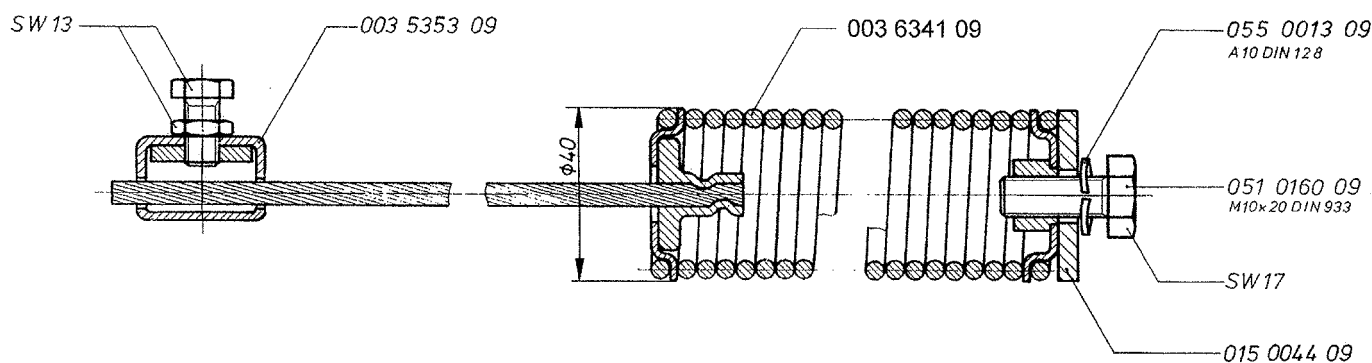
Reg No.

Edition / Ref. No.

Page  
1

For agriculture vehicles or forest vehicles with a low mounting height of the Load Sensing Valve, a new **control cable 003 6340 09** with a spring length of 80 mm has been released.

## Control Cable 003 6340 09



Maximum mounting length: 985 mm

Minimum mounting length: 100 mm + maximum deflection

## New Versions of Load Sensing Valve with this new modification:

- 601 002 031
- 601 002 071
- 601 013 041