

Coupling head with filter and test connector



Haldex Coupling heads with filter and test connector

to protect the Brakesystems / air suspension systems of trailers against contamination. Coupling head, Filters as well as test connector reduce useful the necessary Systemcomponents.

The couplingheads correspond to the international / national norms: ISO 1728, SAE J 318 as well as VDA 74 342

Advantages

- Minimum installation effort due to integrated design
- Corrosion protected
- Test connector in accordance to ISO-Norm: 3583-1984
- Fitting like present-day coupling heads
- Compatible with competition products which correspond to the same norm
- Fast checking and cleaning of the filter



Integrated Dynamics

Use

- Semi-trailers
- Centre-axle-trailers
- Drawbar-trailers

The coupling heads are coupleable with the coupling heads in accordance to ISO 1728, SAE J 318 as well as VDA 74 342

Technical data

Operating pressure:	$p_e = 10 \text{ bar}$
Operating temperature:	$-40^\circ\text{C} - +80^\circ\text{C}$
Filter surface	6.01 cm^3
Filter pore size	$160 \mu\text{m}$
Diameter	$\varnothing 9$
Torque	14 Nm
Test connector	
Torque	55^{+5}_0 Nm
Bulkhead connector	

Versions

Coupling head service with filter:

334 054 401 with Bulkhead connector
M 24x1.5

334 054 411 without Bulkhead connector
M 16x1.5

Coupling head service with filter
and test point:

334 054 441 with Bulkhead connector
M 24x1.5

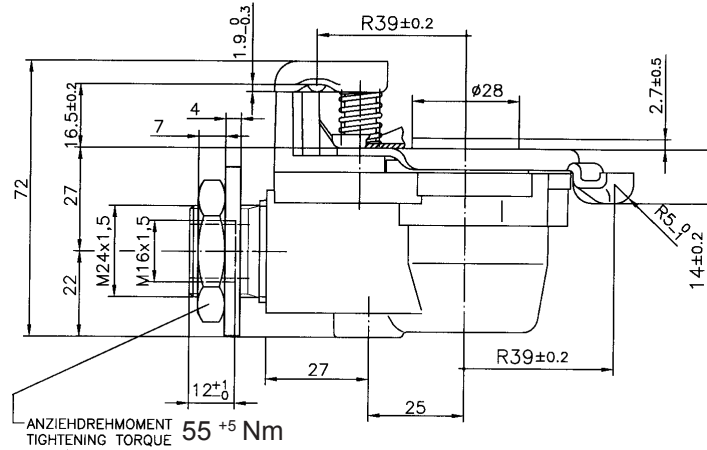
334 054 451 without Bulkhead connector
M 16x1.5

Coupling head emergency with filter:

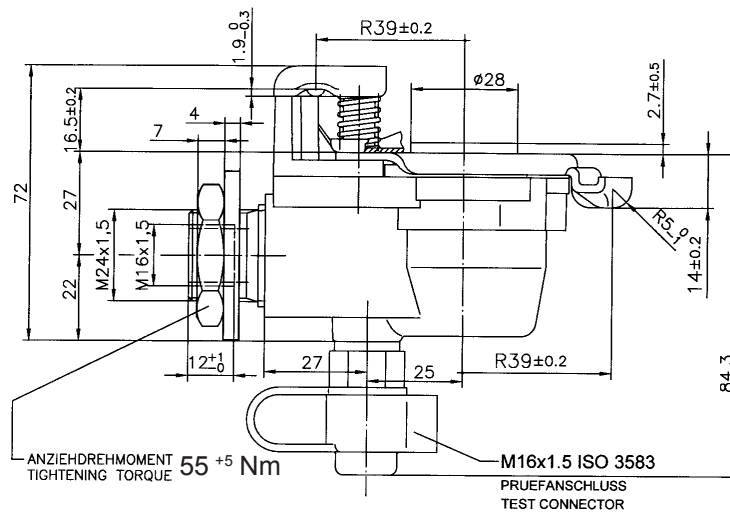
334 055 401 with Bulkhead connector
M 24x1.5

334 055 411 without Bulkhead connector
M 16x1.5

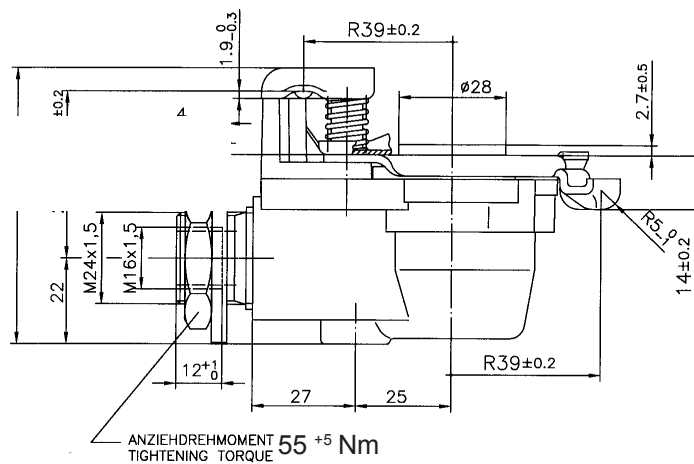
Dimensions 334 054 401/411



Dimensions 334 054 441/451



Dimensions 334 055 401/411



Symbol DIN/ISO

SYMBOL	
DIN 74 253	ISO 1219



www.brake-eu.haldex.com

Haldex Brake Products GmbH
69123 Heidelberg, Mittelgewannweg 27
Tel. +49-6221 70 30, Fax +49-6221 70 3400
e-mail: info@hbpde.haldex.com