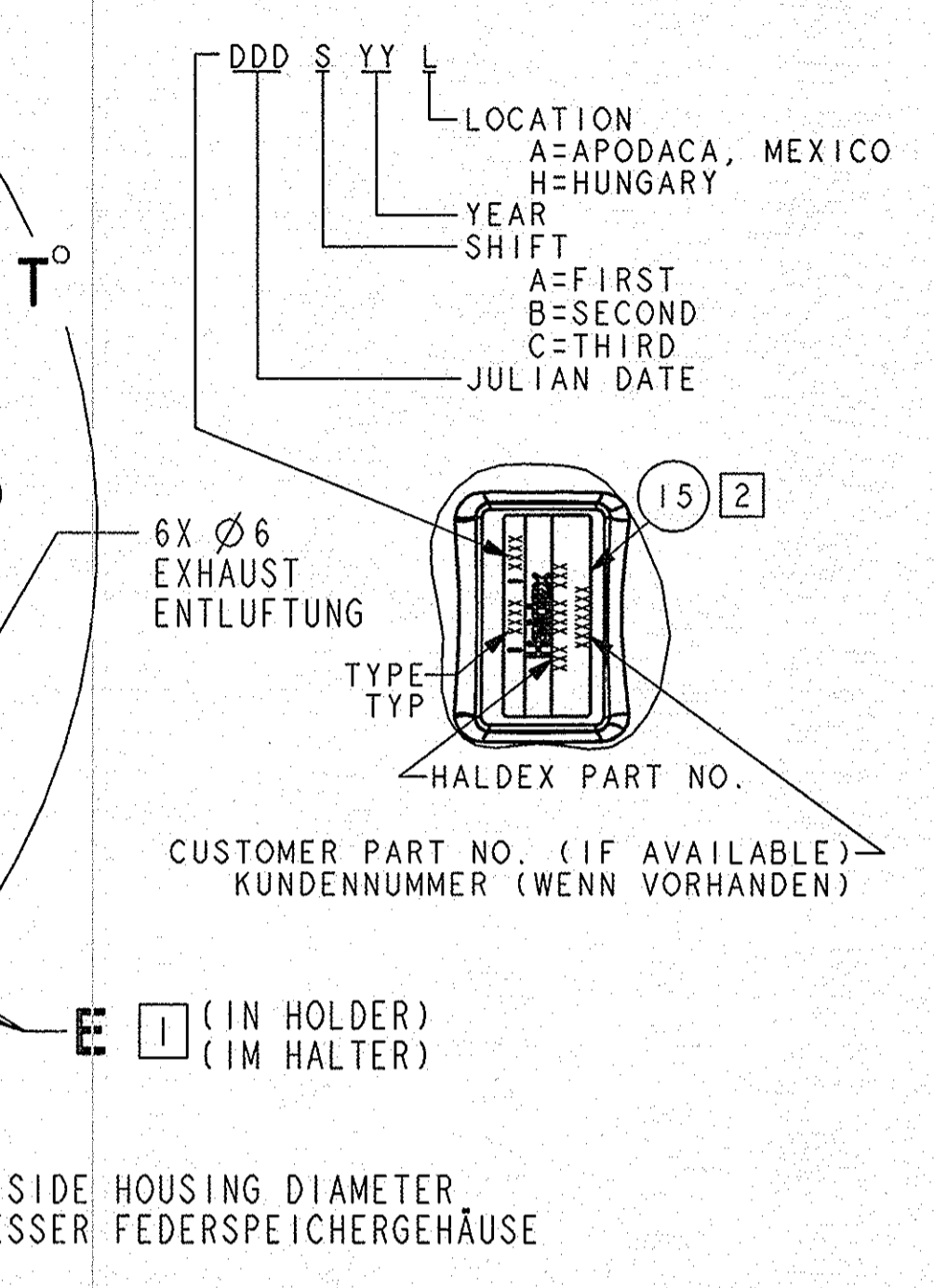


Let.	Revision	Date	Dr.	CK.	App.
A	REMOVED CLAMP AND USED ROLLED RING AND ALL ASSOCIATED DIMENSIONS AND NOTES STANDARDIZED THE PORT ROTATION TO HALDEX REQUIREMENTS UPDATED PORT PLUGS TO CURRENT DESIGN ADDED BALLBOON, ITEM TABLE, & MOUNTING REQUIREMENT VIEW REMOVED DUAL DIMENSIONING AND ASSOCIATED INFO UPDATED VIEWS / DRAWING TO CURRENT HALDEX STANDARDS UPDATED PORT LOCATION TO MATCH WHAT THE NEAR FUTURE CHANGE OF CENTERBODY PROBABLY EARLY 2011 (110-402)	19AUG2010	DCR	ca	BE



SYSTEM OPERATING PRESSURE: 10.2 BAR [148 PSIG]
 BETRIEBSDRUCK:
 RELEASE PRESSURE: 5.2 BAR [75 PSIG] @ 10.0 [1.39] STROKE/HUB
 LÖSEDRUCK (FBA):
 MINIMUM FULL STROKE: 57 [2.25]
 HUB MIN:
 PISTON RETURN SPRING, SERVICE SIDE, MINIMUM RETURN FORCE: 150±30N [34 ±10LB]
 MINDESTKRAFT DER KOLBENRÜCKSTELLFEDER IM BETRIEBSBREMSTEIL:

ACTUATOR MAY BE INSTALLED ON THE VEHICLE WITH MOUNTING STUDS ORIENTED IN ANY POSITION
 ZYLINDER DARF IM FAHRZEUG MIT BELIEBIGER ORIENTIERUNG DER BEFESTIGUNGSBOLZEN MONTIERT WERDEN

PERFORMANCE CHARACTERISTICS CONFORM TO HALDEX PRODUCT STANDARD ESP-3014
 KRAFTABGABE GEMÄß HALDEX SPEZIFIKATION ESP-3014

UNIT SHOWN IN BRAKE RELEASED POSITION
 ZYLINDER IN UNBETÄTIGTER STELLUNG DARGESTELLT

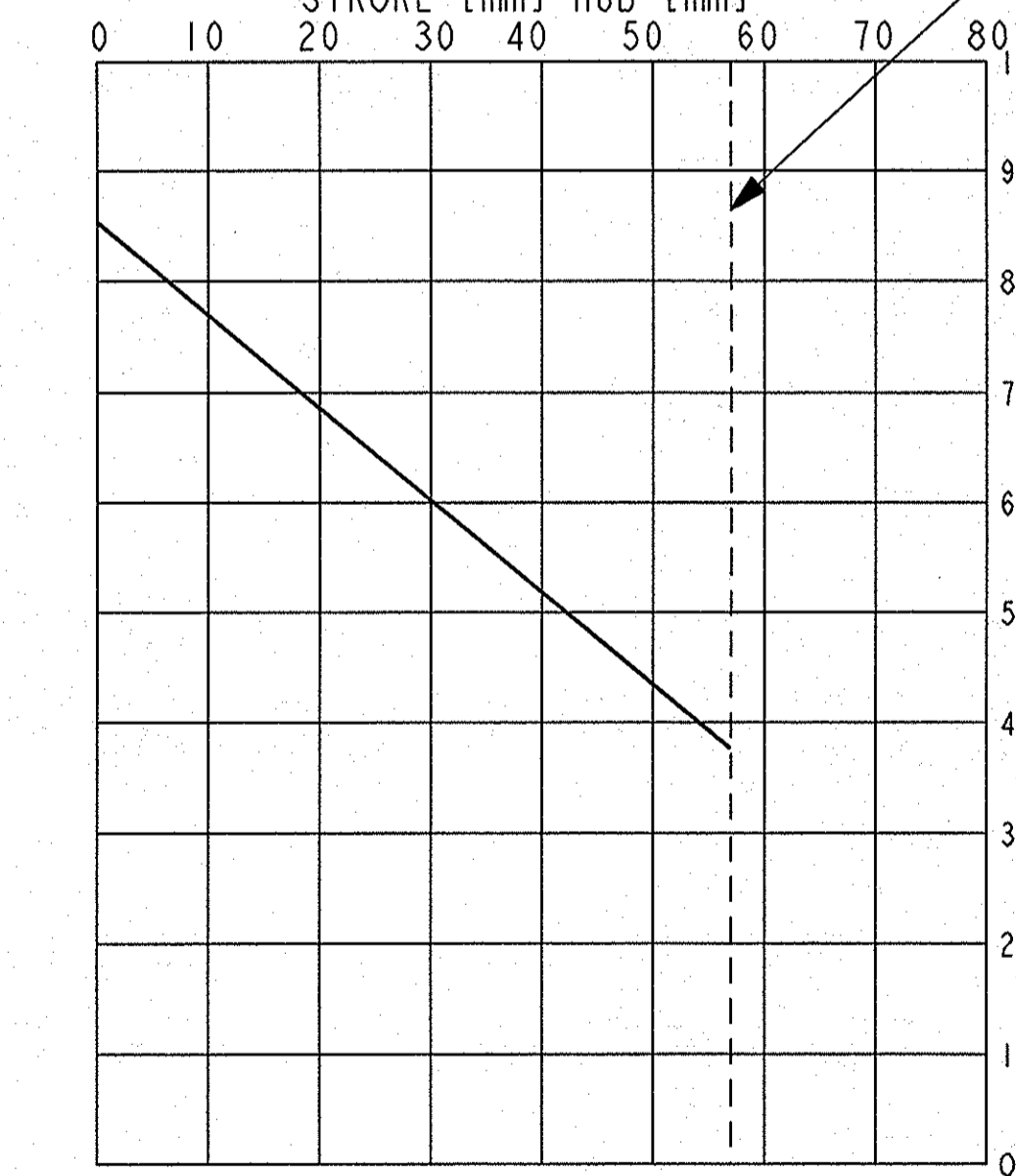
MISALIGNMENT OF THE PUSHROD IN ANY POSITION 4°
 SCHWENKBEREICH DER DRUCKSTANGE ALLSEITIG 4°

SWEPT VOLUME: .76L
 HUBVOLUMEN:

- TEE HEAD OF RELEASE TOOL TO BE POSITIONED ON THE SAME SIDE AS INLET PORTS WHEN INSTALLED IN HOLDER
 DER KOPF DES LÖSEBOLZENS BEFINDET SICH AUF DER SEITE DER ANSCHLÜSSE, WENN DER BOLZEN IM HALTER VERSTAUT IST
- ADHESIVE LABEL WITH DOUBLE OVERPAINTABLE, REMOVABLE PROTECTIVE LAYER
 TYPSCHEIL MIT DOPPELTER ÜBERLACKIERBARER, ABZIEHBARER SCHUTZFOLIE AUFGEKLEBT
- DIMENSION APPLIES WHEN UNIT IS SHIPPED CAGED, IN BRAKE RELEASED POSITION (AS SHOWN)
 MAB ERSCHEINT WENN ZYLINDER GELÖBT = ANLIFERUNGSZUSTAND WIE DARGESTELLT
- J DIM IS WITH THE UNIT IN BRAKE RELEASED POSITION
 MAB IN DER POSITION GELÖBT
- CLOSE CENTER HOLE WITH DUST PLUG WHEN CAGE TOOL IS REMOVED
 NACH DEM ENTFERNEN DES LÖSEWERKZEUGES BOHRUNG MIT STAUBSCHUTZKAPPE VERSCHLIEßEN

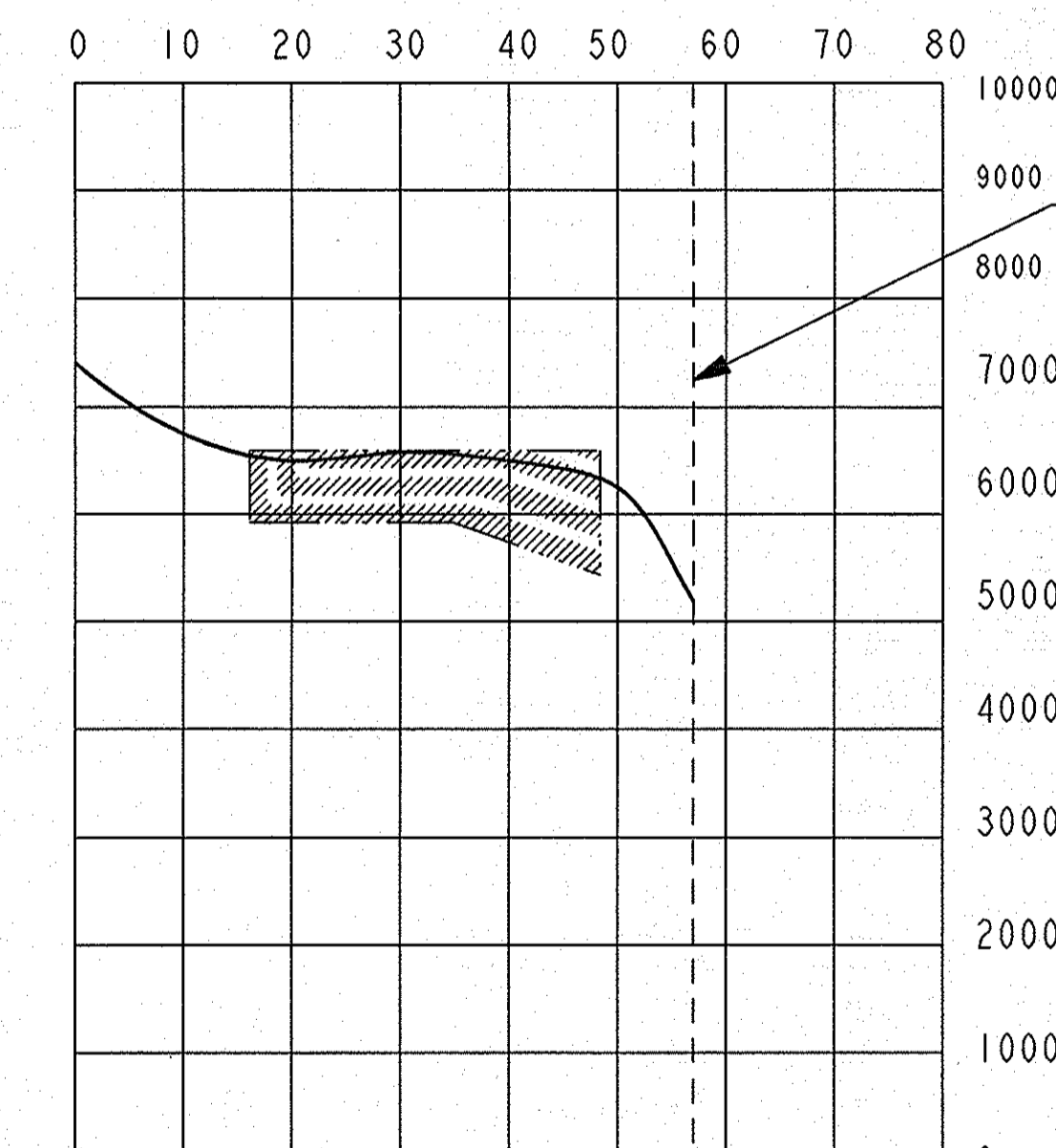
SPRING CHAMBER PERFORMANCE T-16/24
KRAFTABGABE FEDERSPEICHER

TOLERANCE BAND (ACCORDING TO DIN 74060-3) AT 6.5 BAR (94 PSI)
 STROKE [mm] HUB [mm]



SERVICE CHAMBER PERFORMANCE T-16/24
KRAFTABGABE BETRIEBSBREMS

TOLERANCE BAND (ACCORDING TO DIN 74060-3) AT 6.5 BAR (94 PSI)
 STROKE [mm] HUB [mm]



TORQUE TABLE
TABELLE DER ANZIEHDREHMOMENTE

ITEM	N·m
NUT TO STORE CAGE TOOL MÜTTER UM LÖSEBOLZEN IM HALTER ZU BEFESTIGEN	11-30
M16 MOUNTING NUTS BEFESTIGUNGSMÜTTERN	180-210
M16 PORT FITTINGS ANSCHLÜSSVERSCHRAUBUNG	35-40

GENERAL TOLERANCES
ALLGEMEIN TOLERANZEN

CLASS	THIS PART HEIR	NOMINAL DIMENSION RANGE (±) ABMESSUNGEN VON-BIS			
		≤ 50 [1.97]	> 50 [1.97] ≤ 150 [5.91]	> 150 [5.91] ≤ 400 [15.75]	> 400 [15.75]
A		0.5 [1.019]	1.0 [1.039]	1.5 [1.059]	2.0 [1.079]
B		1.0 [1.039]	2.0 [1.079]	3.0 [1.183]	4.0 [1.157]
C	X	2.0 [1.079]	3.5 [1.381]	5.0 [1.977]	6.5 [1.256]

TAPPED HOLES ACCORDING TO ISO 4039 / JED-152

22	PROTECTOR, PORT
15	LABEL
13	LOCATOR, SPRING
12	SPRING, BARREL
11	DIAPHRAGM T-16, RING
10	BOOT
7	NUT, MOUNTING
6	WASHER, SHIM (1.0 mm)
6	WASHER, SHIM (0.5 mm)
5	ROD END, SPHERICAL
4	PUSHROD ASSY T-16
3	RING, ROLLED T-16
2	HSG ASSY, STUD T-16
1	PIGGYBACK T-1624
ITEM	DESCRIPTION

GIGANT
APPLICATION DRAWING
EINBAU ZEICHNUNG

THIS DRAWING USES CLASSIFIED CHARACTERISTIC SYMBOLS DEFINED IN ENGINEERING PROCEDURE PRO-20

DIMENSIONS UNLESS OTHERWISE SPECIFIED CONFORM WITH ASME Y14.5M

THIS DRAWING CONTAINS CONFIDENTIAL PROPRIETARY INFORMATION OF HALDEX BRAKE PRODUCTS CORPORATION AND IS SUBJECT TO RETURN UPON REQUEST. THE FURNISHING OF THIS DRAWING IS NOT TO BE CONSIDERED AS THE GRANT OF ANY LICENSE, EITHER EXPRESS OR IMPLIED, TO MANUFACTURE, HAVE MANUFACTURED, USE OR SELL THE STRUCTURES SHOWN HEREON.

EDR Date: **8/24/10 CN**

Third Angle Projection

TOLERANCES Unless Otherwise Specified
 Finish per ANSI B46.1

Dimensions in Inches mm
 DO NOT SCALE DRAWING

MATERIAL

Material Approved Weight 15.19 lb 6.89 kg

Drawn: T. WILLIAMS 05-333
 10-Aug-05
 Checked: KMD
 11-Aug-2005
 Approved: BF
 12-AUG-05

ASSEMBLY NAME: **SPRING BRAKE T-1624, 57mm STK**
 ASSEMBLY NUMBER: **135 1624 005**
 SERIES: **1351624005.GENERIC**

135 1624 006	NO	YES	YES	15 [1.59]	315° (A)	00019115	135 1624 006	R/
135 1624 005	NO	YES	YES	15 [1.59]	45° (A)	00019114	135 1624 005	R/
PART NUMBER BESTELL-NR.	IN HOLDER QTY 1	CAGED W/TOOL QTY 1	ITEM 22 THREAD PROTECTOR GEWINDESCHUTZKAPPE QTY 2	J ±1 [1.04] DIM MAB	T ±5° PORTS ANSCHLUSS	CUSTOMER NUMBER SMB-NR.	PART NUMBER BESTELL-NR.	R E L
	E	CAGE TOOL LÖSEWERKZEUG						