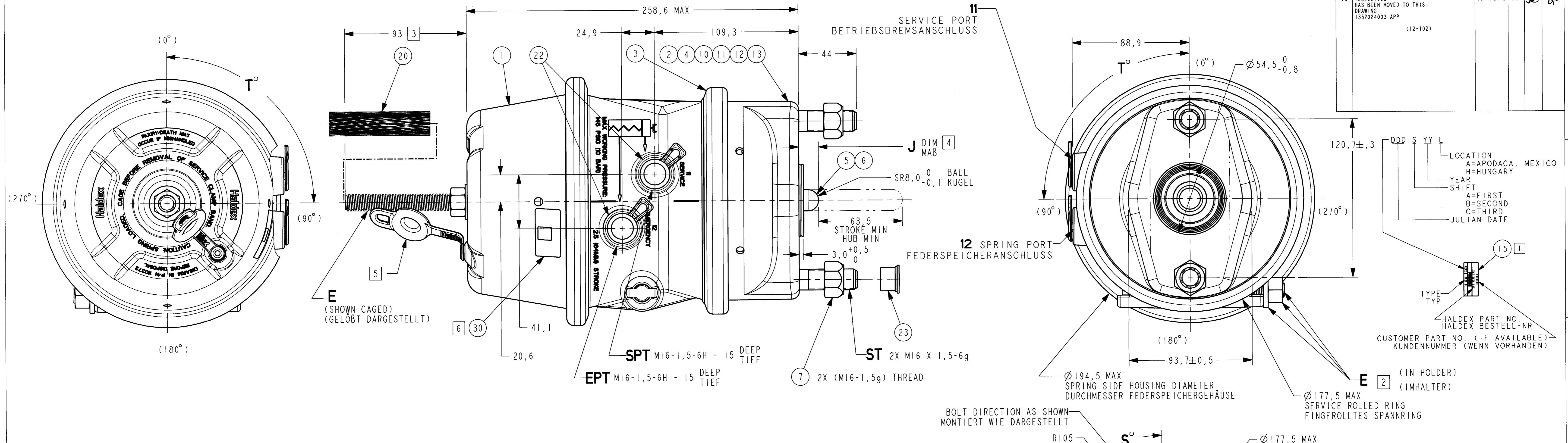


| Let. | Revision  | Date      | Dr. | CK. | App. |
|------|---|-----------|-----|-----|------|
| 13   | 1352024003 HAS BEEN MOVED TO THIS DRAWING 1352024003 APP (12-102) | 13MAR2012 | DCR | Jac | Bjc  |

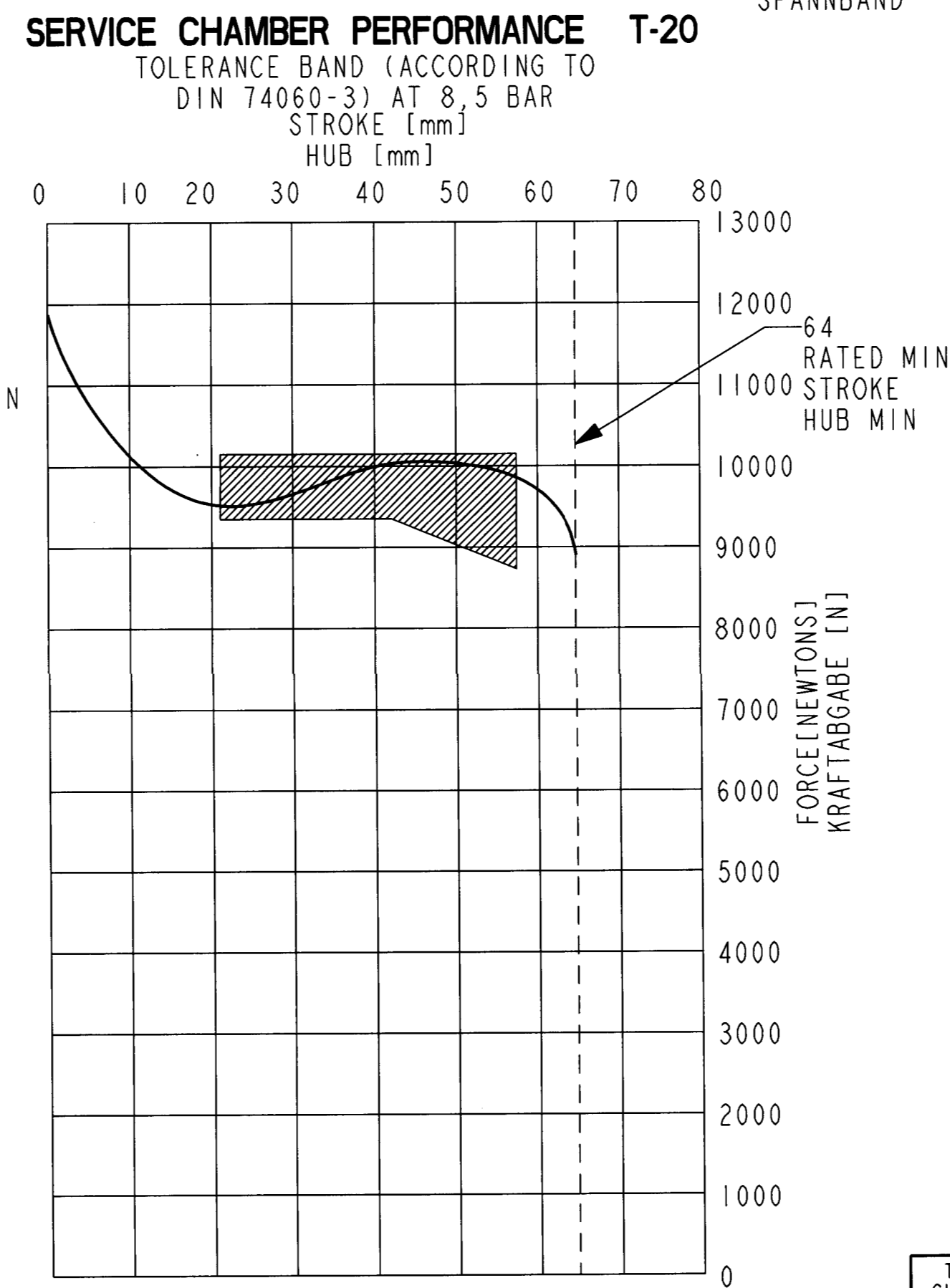
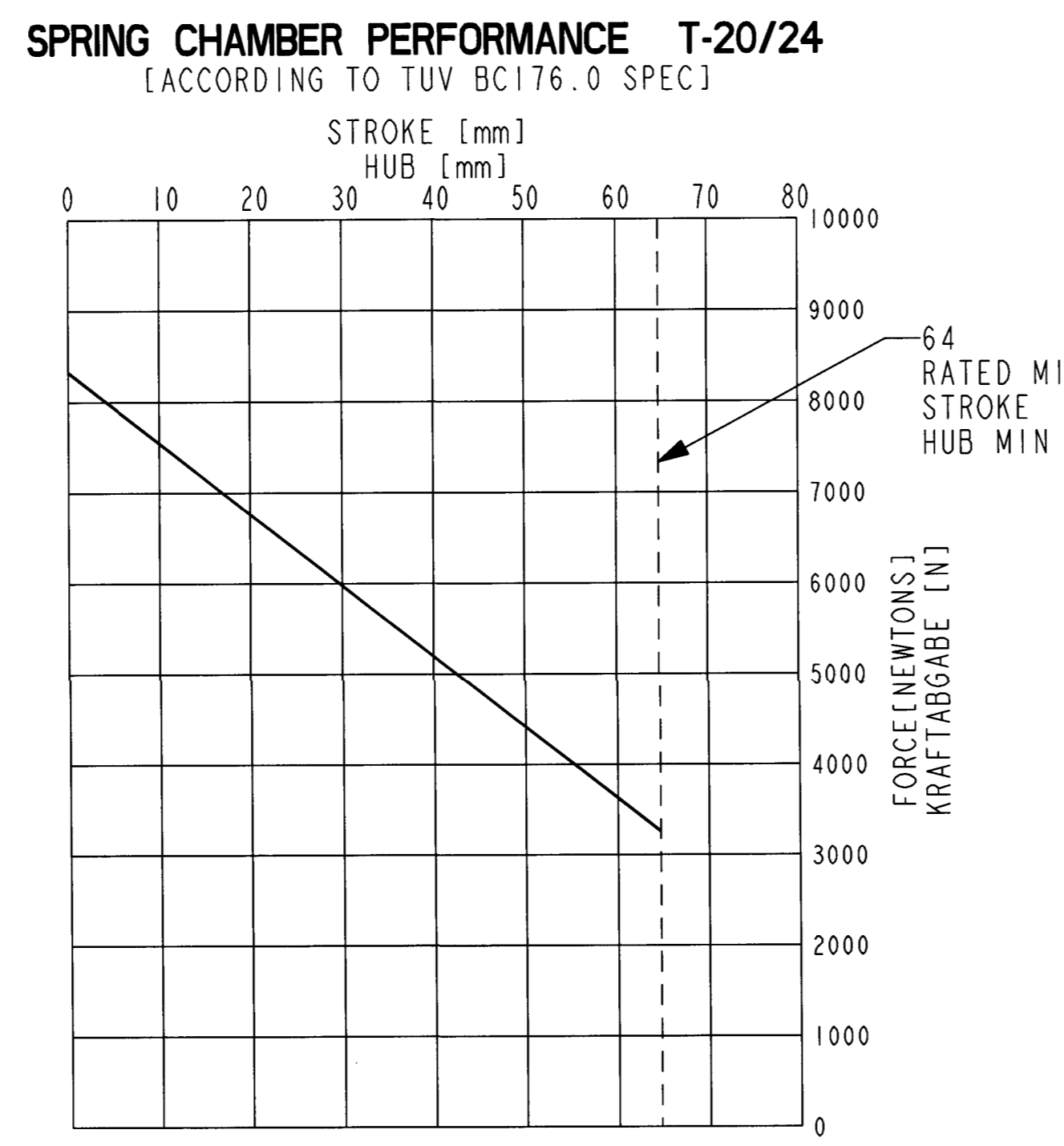


SYSTEM OPERATING PRESSURE: 10,2 BAR  
 BETRIEBSDRUCK:  
 RELEASE PRESSURE: 5,2 BAR @ 10,0 STROKE  
 LOSEDRUCK (FBA):  
 PISTON RETURN SPRING, SERVICE SIDE, MINIMUM RETURN FORCE: 150±30N  
 MINDESTKRAFT DER KOLBENRÜCKSTELLFEDER IM BETRIEBSBREMSTEIL: 150±30N

ACTUATOR MAY BE INSTALLED ON THE VEHICLE WITH MOUNTING STUDS ORIENTED IN ANY POSITION  
 ZYLINDER DARF IM FAHRZEUG MIT BELIEBIGER ORIENTIERUNG DER BEFESTIGUNGSBOLZEN MONTIERT WERDEN  
 PERFORMANCE CHARACTERISTICS CONFORM TO HALDEX PRODUCT STANDARD ESP-3014  
 KRAFTABGABE GEMÄß HALDEX SPEZIFIKATION ESP-3014

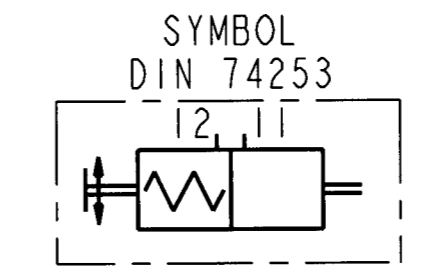
UNIT SHOWN IN BRAKE RELEASED POSITION  
 ZYLINDER IN UNBETAETIGTER STELLUNG DARGESTELLT

- MARK PART NUMBER AND DATE CODE OR ATTACH LABEL PER HALDEX SPEC ESD-3023-Y IN AREA SHOWN IM DARGESTELLTEN BEREICH BESTELL-NR. UND DATUMSCODE EINGEPRAEGT ODER TYPSCHEID NACH HALDEX SPEZIFIKATION ESD-3023-Y ANGEBRACHT
- TEE HEAD OF RELEASE TOOL TO BE POSITIONED ON THE SAME SIDE AS INLET PORTS WHEN INSTALLED IN HOLDER DER KOPF DES LOSEBOLZENS BEFINDET SICH AUF DER SEITE DER ANSCHLUSSE, WENN DER BOLZEN IM HALTER VERSTAUT IST
- DIMENSION APPLIES WHEN UNIT IS SHIPPED CAGED, IN BRAKE RELEASED POSITION (AS SHOWN) MAß ERSCHEINT WENN ZYLINDER GELÖBT = ANLIFERUNGSZUSTAND WIE DARGESTELLT
- J DIM IS WITH THE UNIT IN BRAKE RELEASED POSITION MAß IN DER POSITION GELÖBT
- CLOSE CENTER HOLE WITH DUST PLUG WHEN CAGE TOOL IS REMOVED NACH DEM ENTFERNEN DES LOSEWERKZEUGES BOHRUNG MIT STAUBSCHUTZKAPPE VERSCHLIEßEN
- BAR CODE LABEL ATTACHED IN APPROXIMATE LOCATION SHOWN BAR CODE ETIKETT IM DARGESTELLTEN BEREICH ANGEBRACHT



**TORQUE TABLE TABELLE DER ANZIEHDREHMOMENTE**

| ITEM   | N·m     |
|--|---------|
| CLAMPBAND SPANNBAND  | 27-41   |
| NUT TO STORGE CAGE TOOL MÜTTER UM LOSEBOLZEN IM HALTER ZU BEFESTIGEN | 11-30   |
| M16 MOUNTING NUTS BEFESTIGUNGSMÜTTERN                                | 180-210 |
| M16 PORT FITTINGS ANSCHLUSSVERSCHRAUBUNG                             | 35-40   |



THIS DRAWING USES CLASSIFIED CHARACTERISTIC SYMBOLS DEFINED IN ENGINEERING PROCEDURE PRO-20

**GENERAL TOLERANCES ALLGEMEIN TOLERANZEN**

| CLASS | THIS PART | NOMINAL DIMENSION RANGE (±) |     |     |         |
|-------|-----------|-----------------------------|-----|-----|---------|
|       |           | 0,5                         | 1,0 | 1,5 | 2,0     |
| A     |           | 0,5                         | 1,0 | 1,5 | 2,0     |
| B     |           | 1,0                         | 2,0 | 3,0 | 4,0 ±3° |
| C     | X         | 2,0                         | 3,5 | 5,0 | 6,5     |

TAPPED HOLES ACCORDING TO ISO 4039 / JED-152

|      |                            |
|------|----------------------------|
| 30   | BAR CODE LABEL             |
| 23   | PROTECTOR, END             |
| 22   | PROTECTOR/PLUG, PORT       |
| 20   | PROTECTOR, THREAD          |
| 15   | LABEL (OPTIONAL PER I)     |
| 13   | LOCATOR, SPRING            |
| 12   | SPRING, BARREL             |
| 11   | DIAPHRAGM T-24             |
| 10   | BOOT                       |
| 7    | NUT, MOUNTING              |
| 6    | SHIM 0,5                   |
| 6    | SHIM 1,0                   |
| 5    | ROD END, SPHERICAL         |
| 4    | PUSHROD ASSY T-20          |
| 3    | ROLLED RING/CLAMPBAND ASSY |
| 2    | HSG ASSY, STUD T-20        |
| 1    | PIGGYBACK T-2024           |
| ITEM | DESCRIPTION                |

**APPLICATION DRAWING EINBAU ZEICHNUNG SCHMITZ**

DIMENSIONS UNLESS OTHERWISE SPECIFIED CONFORM WITH ASME Y14.5M

THIS DRAWING CONTAINS CONFIDENTIAL PROPRIETARY INFORMATION OF HALDEX BRAKE PRODUCTS CORPORATION AND IS SUBJECT TO RETURN UPON REQUEST. THE FURNISHING OF THIS DRAWING IS NOT TO BE CONSTRUED AS THE GRANT OF ANY LICENSE, EITHER EXPRESS OR IMPLIED, TO MANUFACTURE, HAVE MANUFACTURED, USE OR SELL THE STRUCTURES SHOWN HEREON.

DRW Date: 4/4/2012 CW

SUPERSEDED BY: \_\_\_\_\_

Third Angle Projection

TOLERANCES Unless Otherwise Specified  
 12/Finish per ANSI B46.1

1 Place ± ...  
 2 Place ± ...  
 3 Place ± ...

Angular ± ...

DO NOT SCALE DRAWING

MATERIAL: ---

Material Approved: \_\_\_\_\_

Weight: \_\_\_\_\_ lb \_\_\_\_\_ kg

Drawn: DC RHOADS 12-102  
 13MAR2012

Checked: \_\_\_\_\_

Approved: \_\_\_\_\_

Originality for: \_\_\_\_\_

Scale: NONE

Dimensions in:  Inches  mm

Haldux  
 HALDEX BRAKE PRODUCTS CORPORATION  
 Kansas City, Missouri

ASSEMBLY NAME: SB 2024

ASSEMBLY NUMBER: \_\_\_\_\_

SERIES: \_\_\_\_\_

1352024003

GENERIC MODEL NO. 1352024000

|                         |   |                 |  |   |                            |   |   |             |                       |             |
|-------------------------|---|-----------------|--|---|----------------------------|---|---|-------------|-----------------------|-------------|
| 1352024003              | WITHOUT OHNE                              | NO              | YES  | ROLLED RING SPANNRING                           | N/A                        | YES   | YES                                     | 15          | 270°                  | R/          |
| PART NUMBER BESTELL-NR. | ITEM 7 NUT BEFESTIGUNGS MÜTTER QTY 2 REOD | IN HOLDER QTY 1 | CAGED W/TOOL QTY 1<br>CAGE TOOL LOSEWERKZEUG | ROLLED RING or CLAMPBAND SPANNRING or SPANNBAND | S° ±5° CLAMPBAND SPANNBAND | ITEM 22 THREAD PROTECTOR GEWINDESCHUTZKAPPE QTY 2 | ITEM 23 END PROTECTOR SCHUTZKAPPE QTY 2 | J±1 DIM MAB | T ±5° PORTS ANSCHLUSS | R<br>E<br>L |