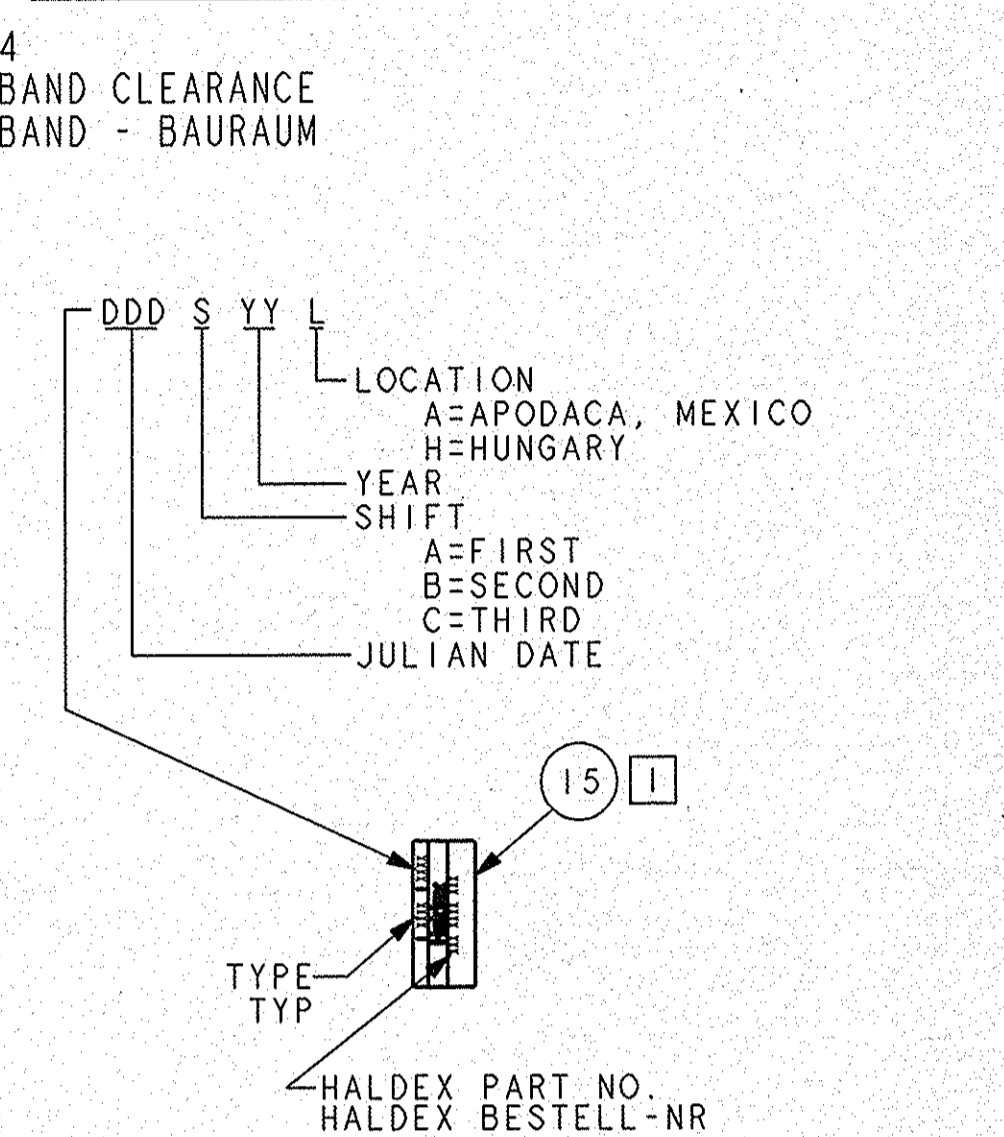


Let.	Revision	Date	Dr.	CK.	App.
13	125160001 CLAMPBAND ADDED WITH ALL SUBSEQUENT DIMENSIONS AND INFORMATION 125160002 MAINTAINS ROLLED RING ROTATION REVERSED TO HALDEX STANDARD DUAL DIMENSIONS REMOVED MINOR SHIFTS IN DIMENSION WITH CLAMPBAND ADDITION TABLE, TOLERANCE BLOCK, TORQUE TABLE UPDATED NO ACTUAL CHANGE NOTE 2 ADDED AND FLAG NOTES BOTH PARTS WITH 3-D VIEWS 3 was 3,4 STANDARDIZATION (10-403)	3 AUG 2010	DCR		SKD



13

GENERAL TOLERANCES ALLGEMEIN TOLERANZEN						
NOMINAL DIMENSION RANGE (±) ABMESSUNGEN VON-BIS						
CLASS	THIS PART	THIS REE	≤ 50	> 50 ≤ 150	> 150 ≤ 400	> 400
A			0,5	1,0	1,5	2,0
B			1,0	2,0	3,0	4,0
C	x		2,0	3,5	5,0	6,5

TAPPED HOLES ACCORDING TO ISO 4039 / JED-152

13

TORQUE TABLE TABELLE DER ANZIEHDREHMOMENTE	
ITEM	N·m
CLAMPBAND SPANNBAND	27-41
M16 MOUNTING NUTS BEFESTIGUNGSMUTTERN	180-210
M16 PORT FITTINGS ANSCHLUSSVERSCHRAUBUNG	35-40

PERFORMANCE CHARACTERISTICS CONFORM TO HALDEX PRODUCT STANDARD ESP-3014
KRAFTABGABE MÄBE HALDEX SPEZIFIKATION ESP-3014

UNIT SHOWN IN BRAKE RELEASED POSITION
ZYLINDER IN UNBETAETIGTER STELLUNG DARGESTELLT

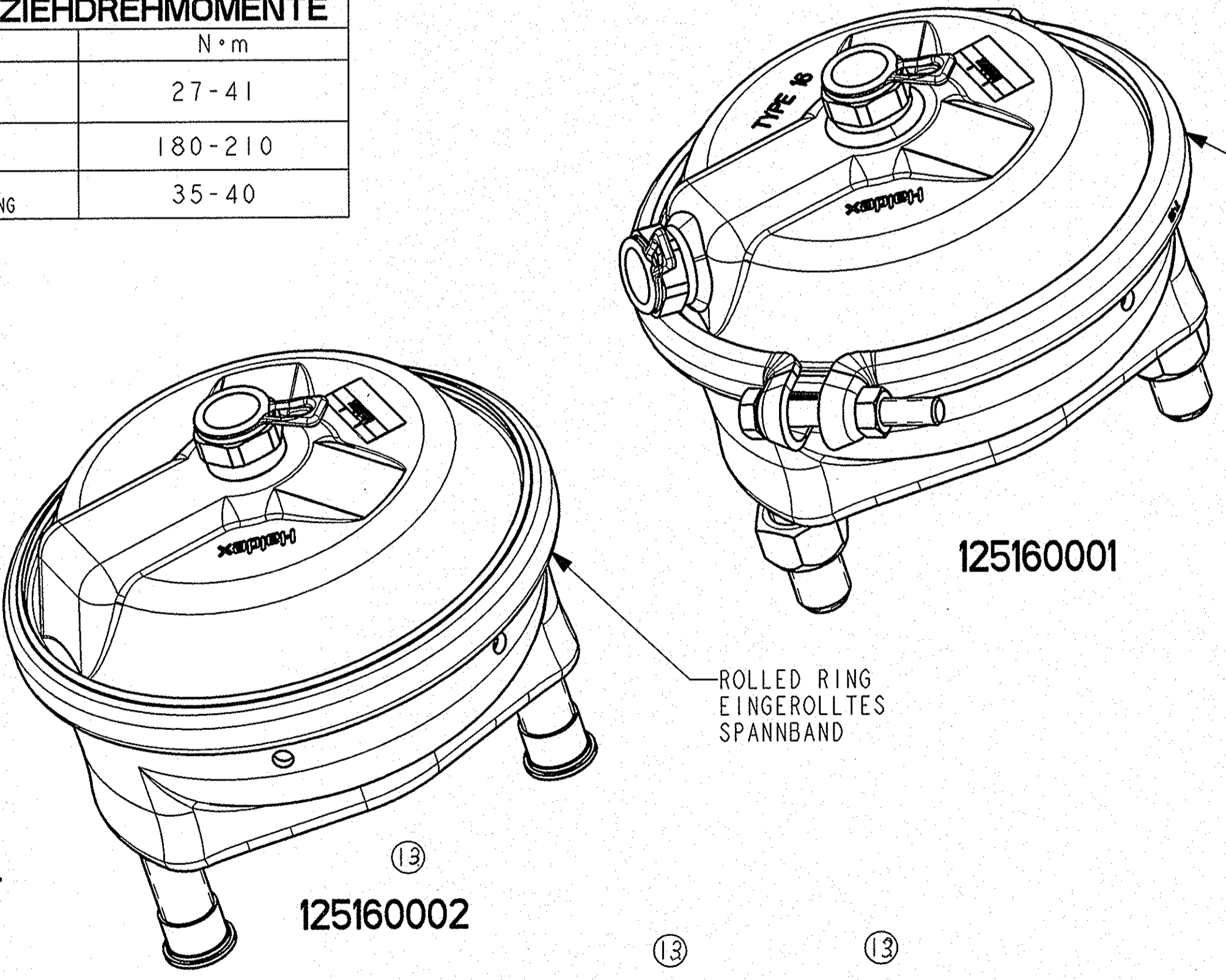
MAXIMUM WORKING PRESSURE: 10.2 BAR
BETRIEBSDRUCK:

SERVICE CHAMBER VOLUME: 760cc MAX AT RATED STROKE
MAX. ZYLINDERVOLUMEN: 760 cm³ BEI NORMALHUB

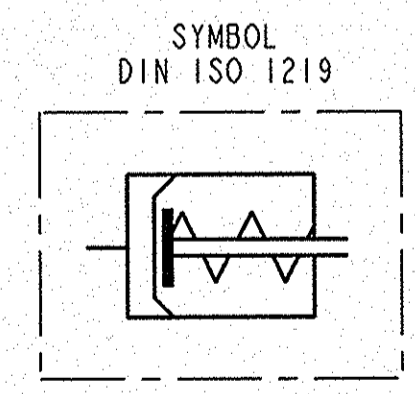
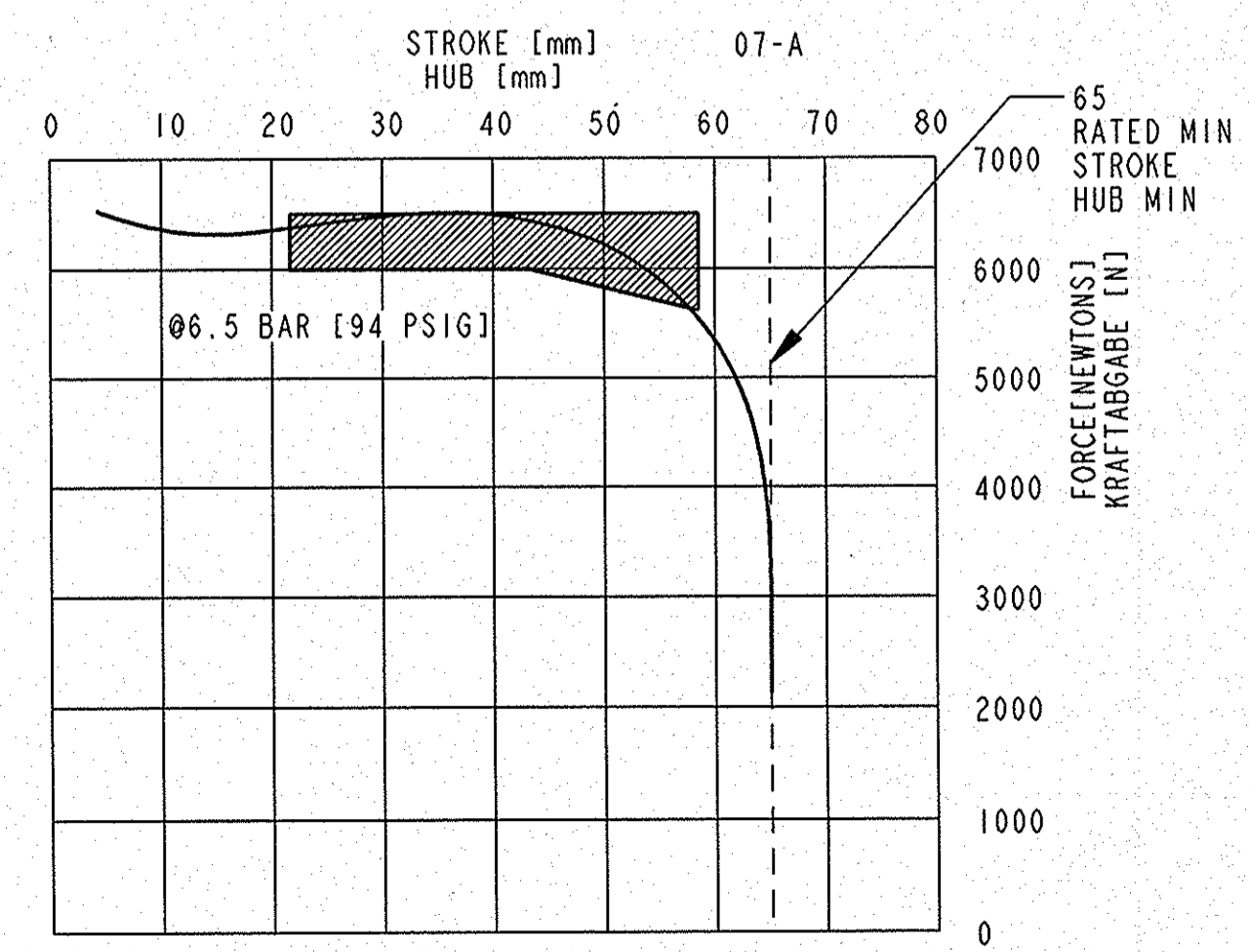
FORCE OUTPUT RETURN SPRING AT ZERO STROKE: 150 ±30N
KRAFTABGABE DER RUECKSTELLFEDER BEI 0-HUB: 150 ±30N

1 ATTACH LABEL PER HALDEX SPEC ESD-3023-Y IN AREA SHOWN IM DARGESTELLTEN BEREICH TYPSCILD NACH HALDEX SPEZIFIKATION ESD-3023-Y ANGEBRACHT

2 IF THE SIDE PORT IS NOT PRESENT, THEN ORIENT THE FLAT TO 0°, UNLESS OTHERWISE SPECIFIED IN THE TABLE AS T
3 FALLS KEIN SEITLICHER ANSCHLUSS VORHANDEN, IST DIE ABFLACHUNG AUF 0° POSITION MONTIERT



13 SERVICE CHAMBER PERFORMANCE T-16
TOLERANCE BAND (ACCORDING TO DIN 74060-3)



APPLICATION DRAWING EINBAU ZEICHNUNG

THIS DRAWING USES CLASSIFIED CHARACTERISTIC SYMBOLS DEFINED IN ENGINEERING PROCEDURE PRO-20

PART NUMBER	SPT	EPT	C	G	J	T	Item	S	REL
BESTELL-NR.	PORT SIZE ANSCHLUSS AUSFUEHRUNG		QTY 2 REQD BEFESTIGUNGSMUTTER	THREAD PROTECTOR GEWINDESCHUTZKAPPE	DIM/MAB ±1 [.04]	±3° PORTS LUFTANSCHLUSS	ITME 3 CLAMPBAND SPANNBAND OR ROLLED RING EINGEROLLTES SPANNBAND	±3° CLAMPBAND SPANNBAND	
125160002	---	M16 X 1.5 14 DEEP/TIEF	WITHOUT OHNE	YES	15 [.59]	2 13	ROLLED RING EINGEROLLTES SPANNBAND	N/A	R/
125160001	M16 X 1.5 14 DEEP/TIEF	M16 X 1.5 14 DEEP/TIEF	WITH MIT	YES	15 [.59]	0°	CLAMPBAND SPANNBAND	45°	R/

ITEM	DESCRIPTION	MATERIAL	FINISH	WEIGHT
23	PROTECTOR, END			
22	PROTECTOR/PLUG, PORT			
15	LABEL			
13	LOCATOR, SPRING			
12	SPRING, RETURN			
11	DIAPHRAGM T-16, RING			
10	BOOT			
7	NUT, MOUNTING			
6	WASHER, SHIM (1.0 mm)			
6	WASHER, SHIM (0.5 mm)			
5	ROD END, SPHERICAL			
4	PUSHROD ASSY T-16			
3	RING, ROLLED / CLAMPBAND T-16			
2	HOUSING ASSY, STUD T-16			
1	HOUSING ASSY, PRESSURE T-16			

F
E
D
C
B
A