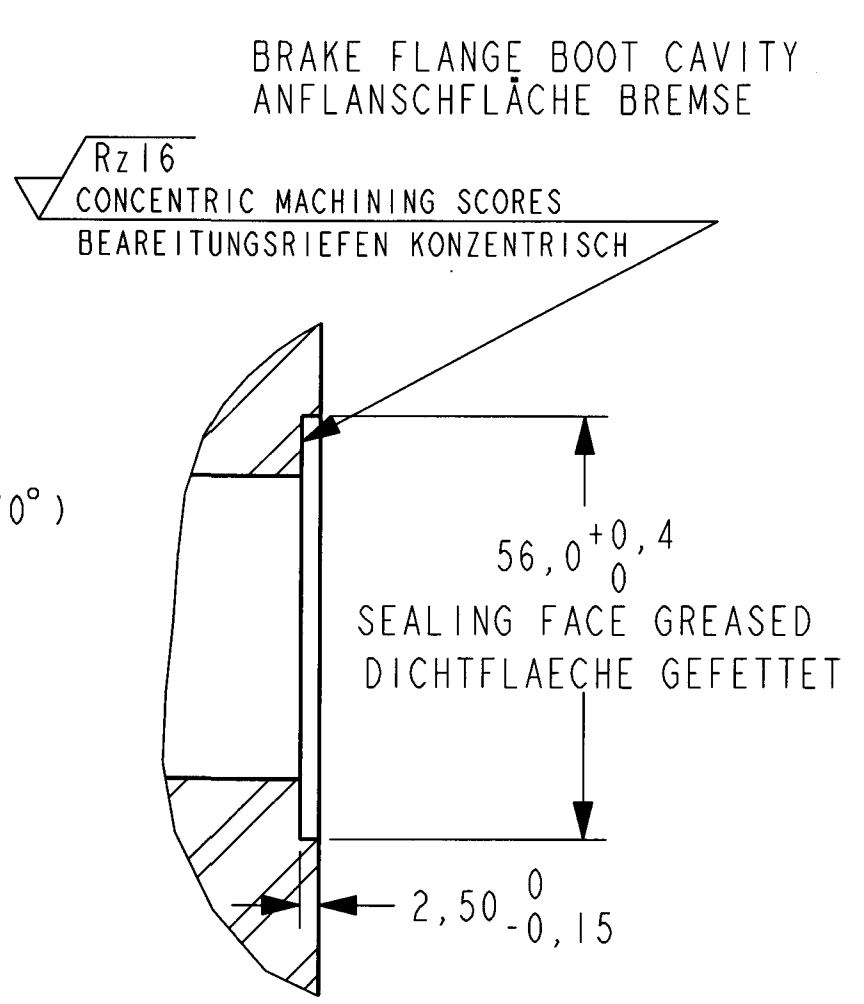
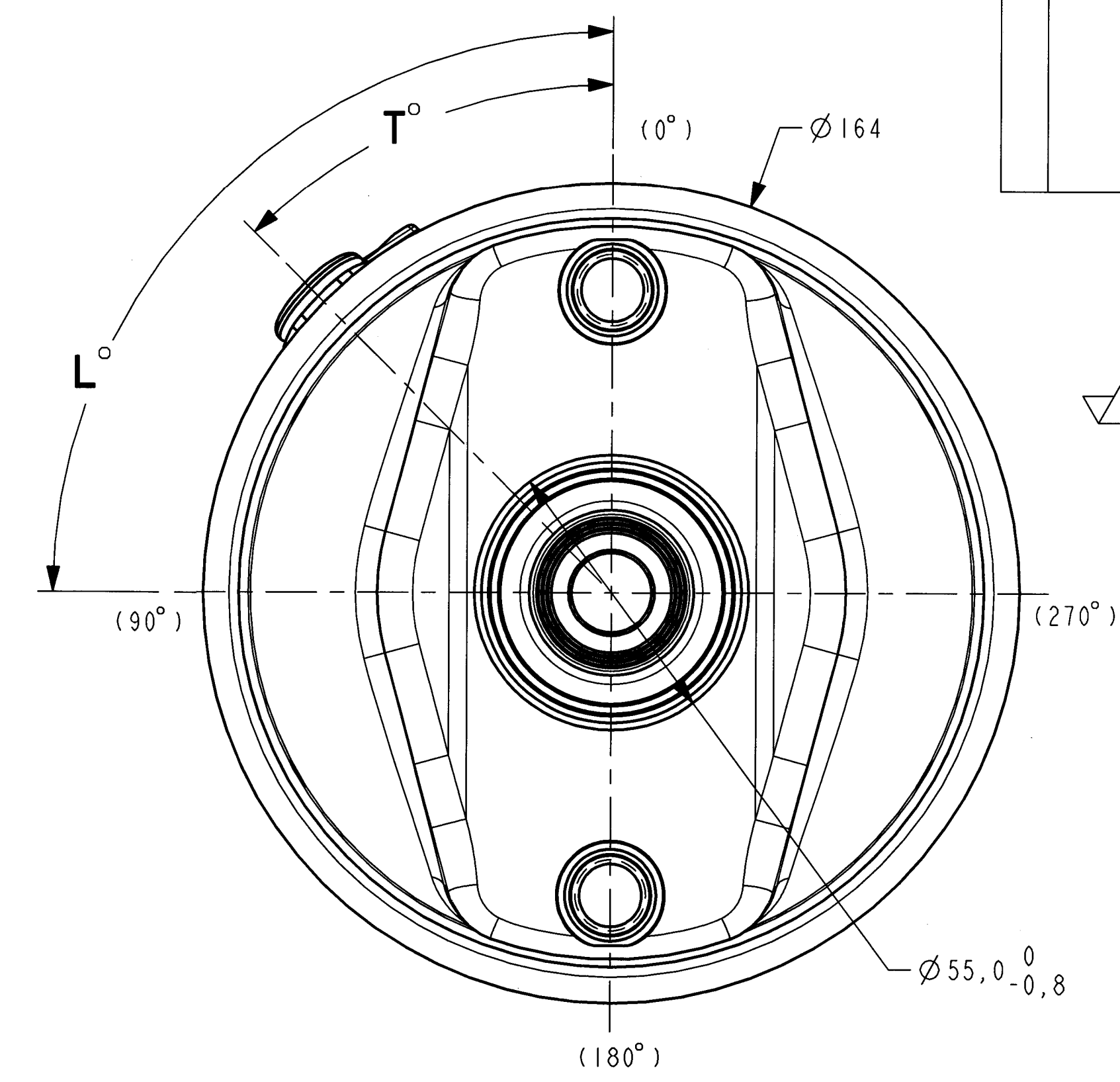
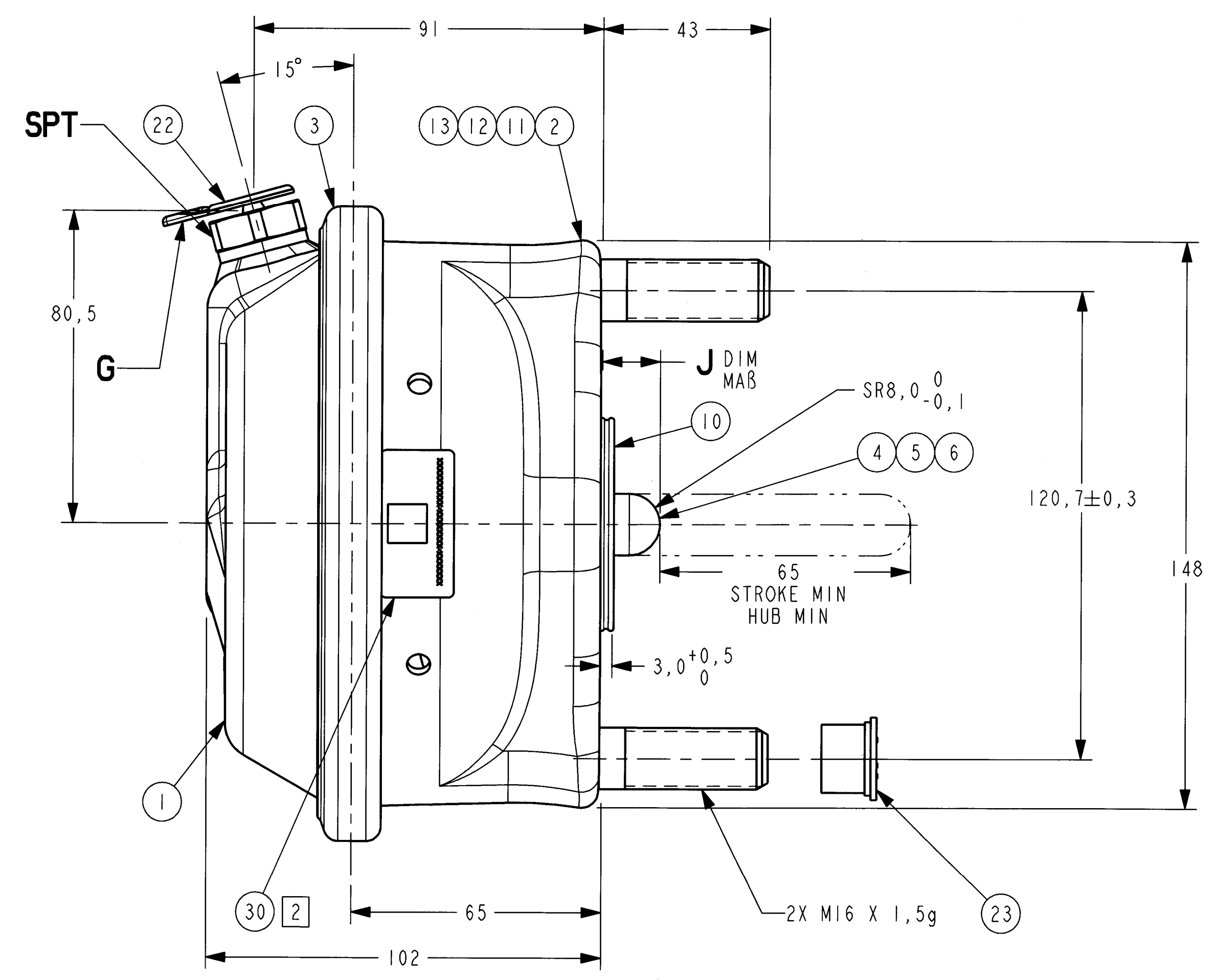
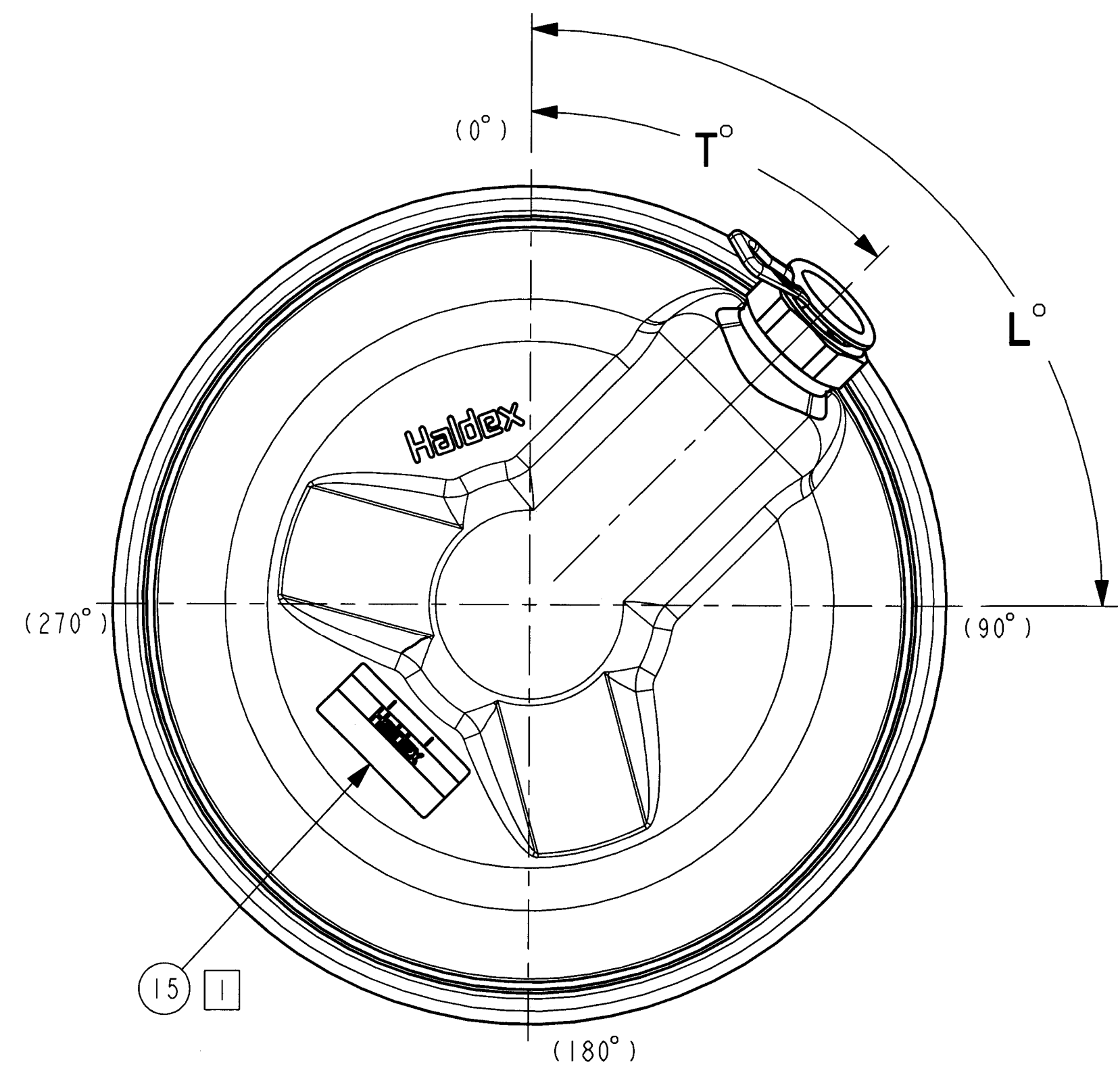


Let.	Revision	Date	Dr.	CK.	App.
14	UPDATED CUSTOMER PART NUMBERS: 1187322 was 1078346; 1187323 was 1078348. (12-656)	07-Dec-12	GGD	AKZ	KD



GENERAL TOLERANCES ALLGEMEIN TOLERANZEN					
NOMINAL DIMENSION RANGE (±) NOMINALE DIMENSIONEN VON-BIS					
CLASS	THIS PART BEIR	E 50	> 50 E 150	> 150 E 400	> 400
A		0,5	1,0	1,5	2,0
B		1,0	2,0	3,0	4,0
C	X	2,0	3,5	5,0	6,5

TAPPED HOLES ACCORDING TO ISO 4038 / JED-152

TORQUE TABLE TABELLE DER ANZIEHDREHMOMENTE	
ITEM	N·m
M16 MOUNTING NUTS BEFESTIGUNGSMUTTERN	180-210
M16 PORT FITTINGS ANSCHLUSSVERSCHRAUBUNG	35-40

PERFORMANCE CHARACTERISTICS CONFORM TO HALDEX PRODUCT STANDARD ESP-3014
KRAFTABGABE MÄÙE HALDEX SPEZIFIKATION ESP-3014

UNIT SHOWN IN BRAKE RELEASED POSITION
ZYLINDER IN UNBETAETIGTER STELLUNG DARGESTELLT

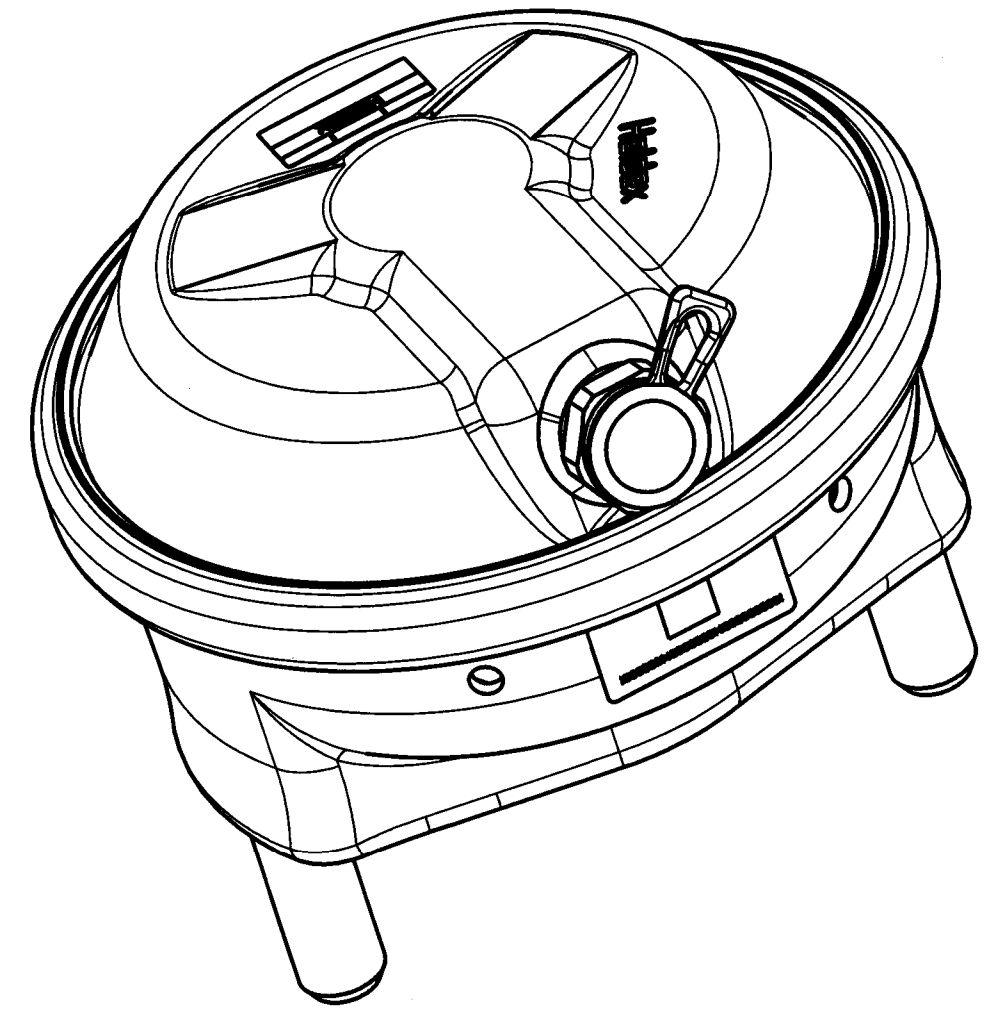
MAXIMUM WORKING PRESSURE: 10,2 BAR
BETRIEBSDRUCK:

SERVICE CHAMBER VOLUME: 760cc MAX AT RATED STROKE
MAX. ZYLINDERVOLUMEN: 760 cm³ BEI NORMALHUB

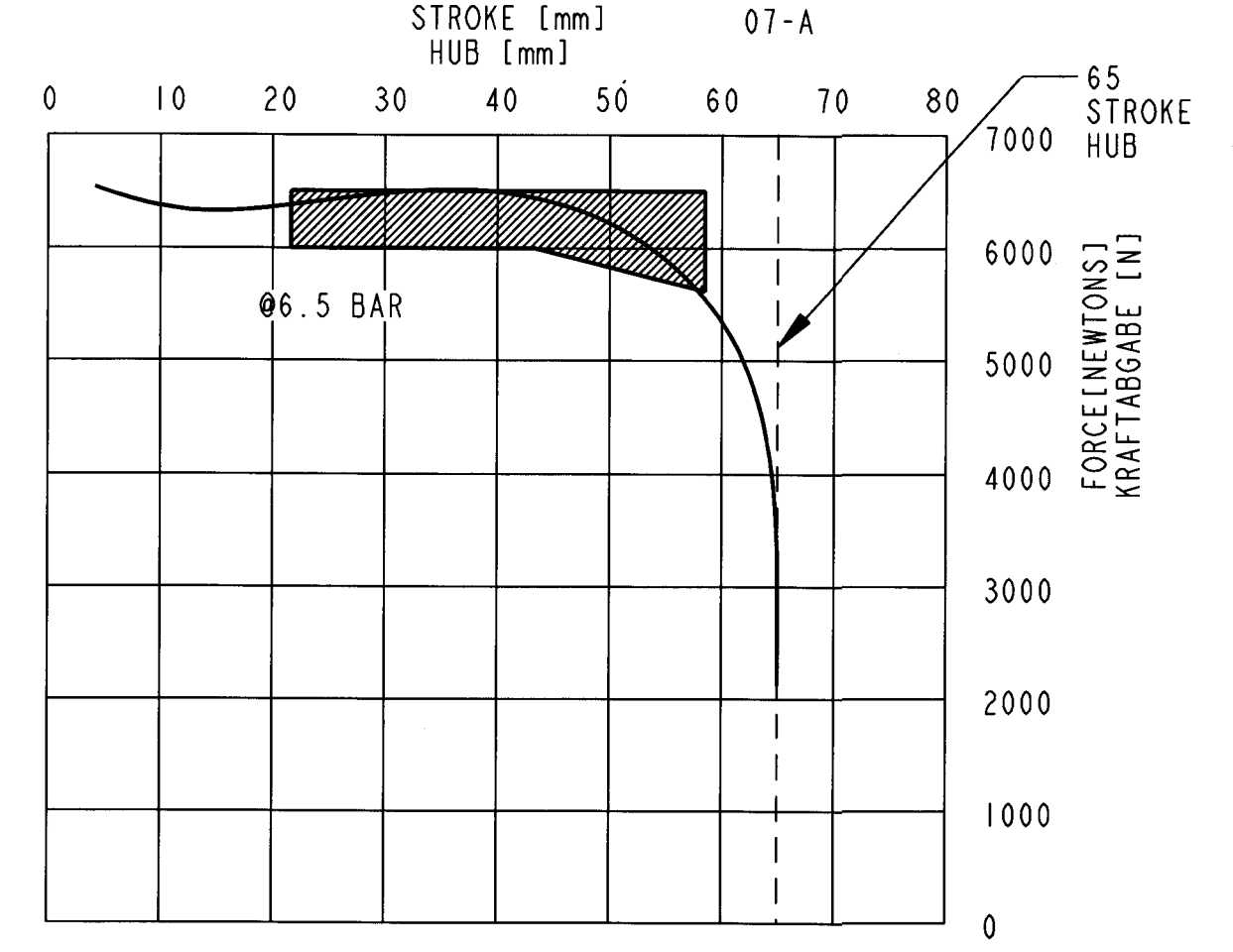
FORCE OUTPUT RETURN SPRING AT ZERO STROKE: 150 ±30N
KRAFTABGABE DER RUECKSTELLFEDER BEI 0-HUB:

1 ATTACH LABEL PER HALDEX SPEC ESD-3023-Y IN AREA SHOWN
IM DARGESTELLTEN BEREICH TYPSCILD NACH HALDEX
SPEZIFIKATION ESD-3023-Y ANGEBRACHT

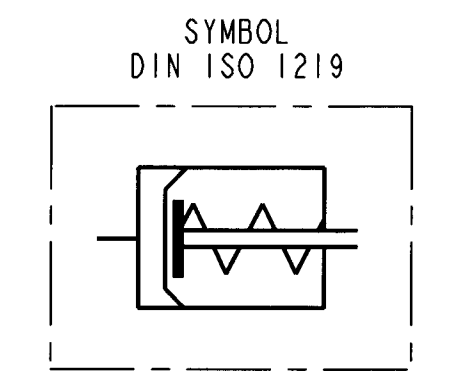
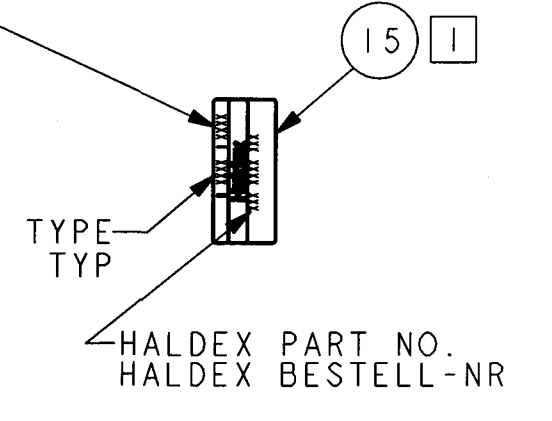
2 BAR CODE LABEL ATTACHED IN APPROXIMATE LOCATION SHOWN
BAR CODE ETIKETT IM DARGESTELLTEN BEREICH ANGEBRACHT



SERVICE CHAMBER PERFORMANCE T-16
TOLERANCE BAND (ACCORDING TO DIN 74060-3)



DDD S YY L
LOCATION
A=APODACA, MEXICO
H=HUNGARY
YEAR
SHIFT
A=FIRST
B=SECOND
C=THIRD
JULIAN DATE



SCHMITZ
APPLICATION DRAWING
EINBAU ZEICHNUNG

THIS DRAWING USES CLASSIFIED
CHARACTERISTIC SYMBOLS DEFINED
IN ENGINEERING PROCEDURE PRO-20

PART NUMBER BESTELL-NR.	SPT PORT SIZE ANSCHLUSS AUSFUEHRUNG	EPT	G THREAD PROTECTOR GEWINDESCHUTZKAPPE	J DIM/MAB ±1	T ±3° PORTS LUFTANSCHLUSS	L ±10° BAR CODE LABEL BAR CODE ETIKETT	CUSTOMER PART NUMBER KUNDENNUMMER	REL
125160009	M16 X 1,5 14 DEEP/TIEF	---	YES	15	0°	90°	1187323	R/
125160008	M16 X 1,5 14 DEEP/TIEF	---	YES	15	90°	90°	1187322	R/
125160004	M16 X 1,5 14 DEEP/TIEF	---	YES	15	0°	---	1001745	R/C
125160003	M16 X 1,5 14 DEEP/TIEF	---	YES	15	90°	---	1000830	R/C

ITEM	DESCRIPTION	ASSEMBLY NAME	ASSEMBLY NUMBER	SERIES
30	BAR CODE LABEL	CHAMBER ASSY, T-16	125160003	GENERIC MODEL NO 125160003.GENERIC
23	PROTECTOR, END			
22	PROTECTOR/PLUG, PORT			
15	LABEL			
13	LOCATOR, SPRING			
12	SPRING, RETURN			
11	DIAPHRAGM T-16, RING			
10	BOOT			
6	WASHER, SHIM (1,0 mm)			
6	WASHER, SHIM (0,5 mm)			
5	ROD END, SPHERICAL	ASSEMBLY NAME	CHAMBER ASSY, T-16	
4	PUSHROD ASSY T-16	ASSEMBLY NUMBER	125160003	
3	RING, ROLLED	SERIES	GENERIC MODEL NO 125160003.GENERIC	
2	HOUSING ASSY, STUD T-16			
1	HOUSING ASSY, PRESSURE T-16			

SERIES
125160003