

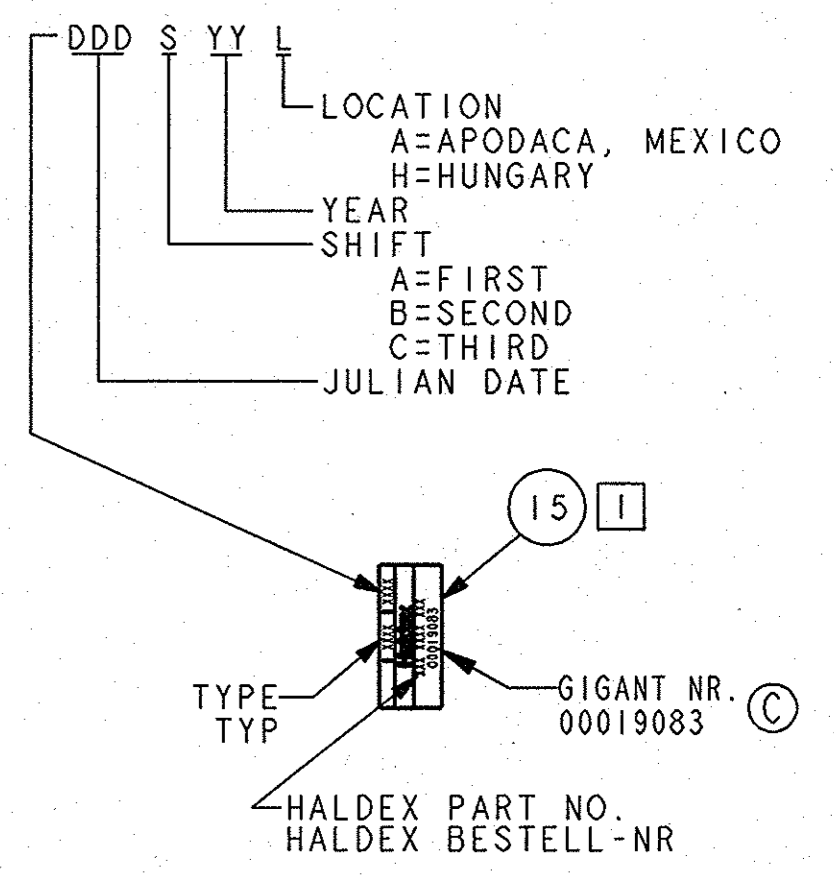
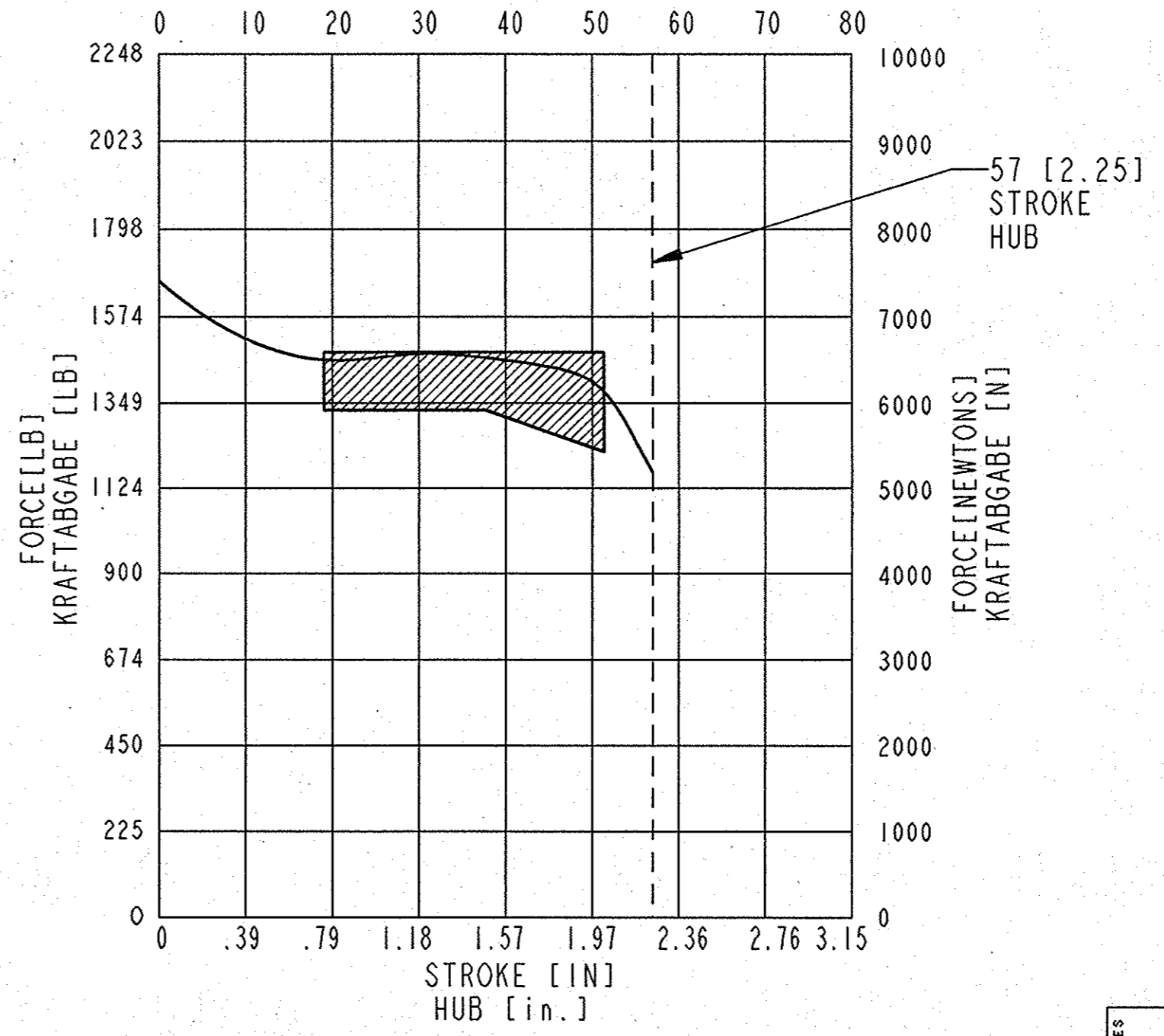
Let.	Revision	Date	Dr.	CK.	App.
C	ADDED: GIGANT NR TO LABEL VIEW UPDATED: LABEL VIEW (08-203)	18-Apr-08	ACB	PCR	CAJ

GENERAL TOLERANCES ALLGEMEIN TOLERANZEN					
NOMINAL DIMENSION RANGE (±) NENNMAßSTRECKE (NOM-BIS)					
CLASS	THIS PART TEIL	≤ 50 [1.97]	> 50 [1.97] ≤ 150 [5.91]	> 150 [5.91] ≤ 400 [15.75]	> 400 [15.75]
A		0.5 [0.019]	1.0 [0.039]	1.5 [0.059]	2.0 [0.079]
B		1.0 [0.039]	2.0 [0.079]	3.0 [0.118]	4.0 [0.157]
C	X	2.0 [0.079]	3.5 [0.138]	5.0 [0.197]	6.5 [0.256]

TAPPED HOLES ACCORDING TO ISO 4039 / JED-152

TORQUE TABLE TABELLE DER ANZIEHDREHMOMENTE		
ITEM		N·m [LB-FT]
M16 5/8	MOUNTING NUTS BEFESTIGUNGSMUTTERN	180-210 [133-155]
M16 3/8 NPTF	PORT FITTINGS ANSCHLUSSVERSCHRAUBUNG	35-40 [26-30]

**SERVICE CHAMBER PERFORMANCE T-16
KRAFTABGABE BETRIEBSBREMSE**
TOLERANCE BAND (ACCORDING TO
DIN 74060-3) AT 6.5 BAR (94 PSI)
STROKE [mm] HUB [mm]



PERFORMANCE CHARACTERISTICS CONFORM TO
HALDEX PRODUCT STANDARD ESP-3014
KRAFTABGABE MÄÙE HALDEX SPEZIFIKATION ESP-3014

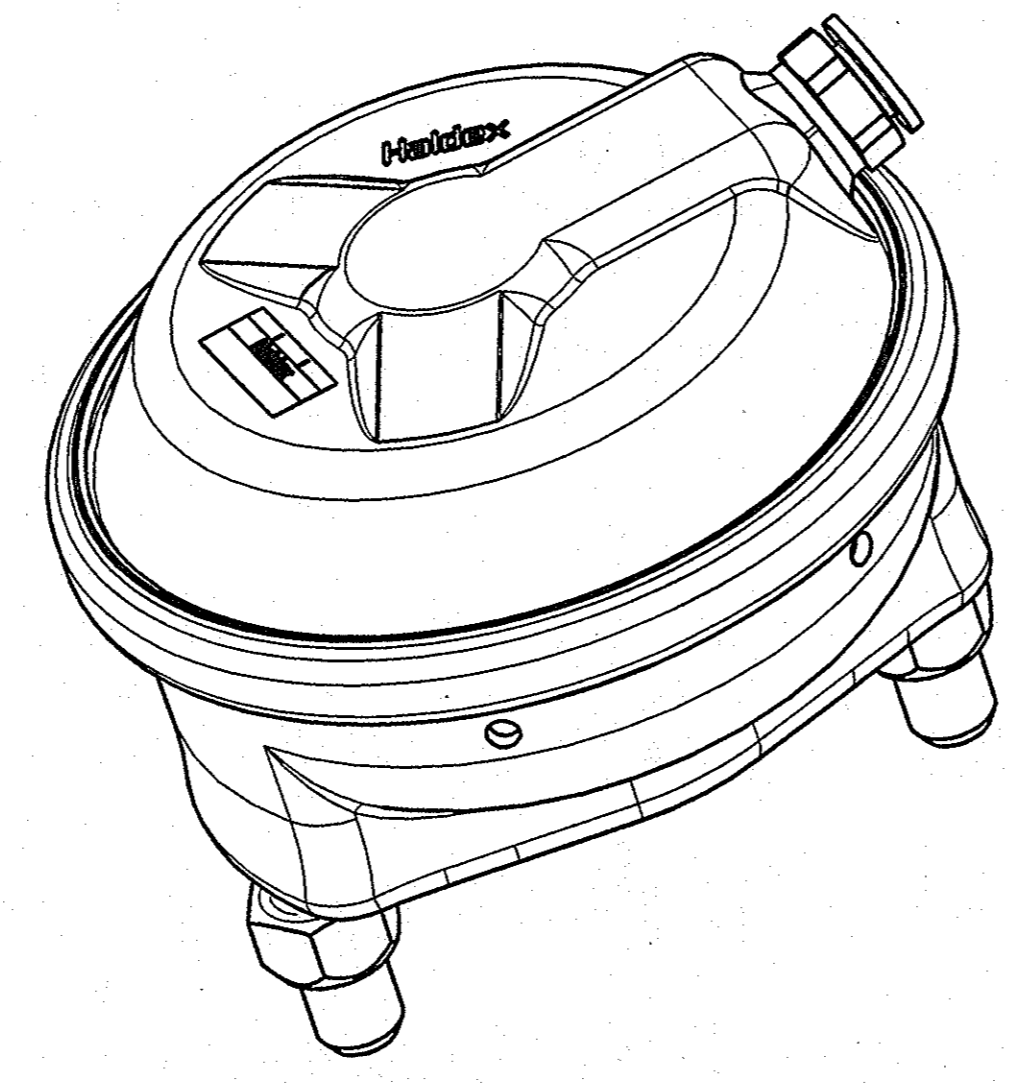
DIMENSIONS IN [] ARE IN INCHES
MÄÙE IN [] SIND INCHES

UNIT SHOWN IN BRAKE RELEASED POSITION
ZYLINDER IN UNBETÄTIGTER STELLUNG DARGESTELLT

MAXIMUM WORKING PRESSURE:
BETRIEBSDRUCK: 10.2 BAR [148 PSIG]

SERVICE CHAMBER VOLUME: 760cc [46.4 in³] MAX AT RATED STROKE
MAX. ZYLINDERVOLUMEN: 760 cm³ BEI NORMALHUB

FORCE OUTPUT RETURN SPRING AT ZERO STROKE: 150 ±30N [34 ±7LB]
KRAFTABGABE DER RUECKSTELLFEDER BEI 0-HUB:



- 1 MARK PART NUMBER AND DATE CODE OR ATTACH LABEL PER HALDEX SPEC ESD-3023-Y IN AREA SHOWN IM DARGESTELLTEN BERIECH BESTELL-NR. UND DATUMSCODE EINGEPRÄGT ODER TYPSCHEID NACH HALDEX SPEZIFIKATION ESD-3023-Y ANGEBRACHT
- 2 T^o ANGULAR DIRECTION OPPOSITE OF SPEC SHEET WINKELORIENTIERUNG ENTGEGENGESETZT ZUM DATENBLATT

**GIGANT APPLICATION DRAWING
EINBAU ZEICHNUNG**

THIS DRAWING USES CLASSIFIED CHARACTERISTIC SYMBOLS DEFINED IN ENGINEERING PROCEDURE PRO-20

SYMBOL
DIN ISO 1219

22	PROTECTOR/PLUG, PORT	DIMENSIONS UNLESS OTHERWISE SPECIFIED CONFORM WITH ASME Y14.5M		
15	LABEL	THIS DRAWING CONTAINS CONFIDENTIAL PROPRIETARY INFORMATION OF HALDEX BRAKE PRODUCTS CORPORATION AND IS SUBJECT TO RETURN UPON REQUEST. THE FURNISHING OF THIS DRAWING IS NOT TO BE CONSTRUED AS THE GRANT OF ANY LICENSE, EITHER EXPRESS OR IMPLIED, TO MANUFACTURE, HAVE MANUFACTURED, USE OR SELL THE STRUCTURES SHOWN HEREON.		
14	SPRING, RETAINER	EDR Date 4/18/08 CW	SUPERSEDED BY	
13	LOCATOR, SPRING	TOLERANCES Unless Otherwise Specified		
12	SPRING, RETURN	12 ^o Finish per ANSI B46.1	Dimensions in	
11	DIAPHRAGM T-16	1 Place ± ---	Inches <input type="checkbox"/>	
10	BOOT	2 Place ± ---	mm <input checked="" type="checkbox"/>	
7	NUT, MOUNTING	3 Place ± ---	Angular ± ---	
6	WASHER, SHIM (1.0mm)	MATERIAL		
5	WASHER, SHIM (.5mm)	Material Approved		
5	ROD END	Drawn A. BRADFORD 06-245	Weight	
4	PUSHROD ASSY T-16	14-JUN-06	lb	
3	ROLLED RING T-16	Checked KMD	kg	
2	HOUSING, STUD T-16	11-SEP-06	ASSEMBLY NAME	
1	HOUSING, PRESSURE T-16	Approved SR	CHAMIS AIR	
ITEM	DESCRIPTION	Scale NONE	ASSEMBLY NUMBER	SERIES
			125160005	125160005

125160005	M16 X 1.5 14 DEEP/TIEF	---	WITHOUT OHNE	YES	15.0 [0.591]	90°	R/
PART NUMBER	SIDE SEITLICH	CENTER ZENTRAL	C NUT QTY 2 REQD	G THREAD PROTECTOR GEWINDESCHUTZKAPPE	J DIM/MAB ±0.5 [.020]	T ±3° PORTS LUFTANSCHLUSS	REL
BESTELL-NR.	PORT SIZE ANSCHLUSS AUSFUEHRUNG		BEFESTIGUNG MUTTER				