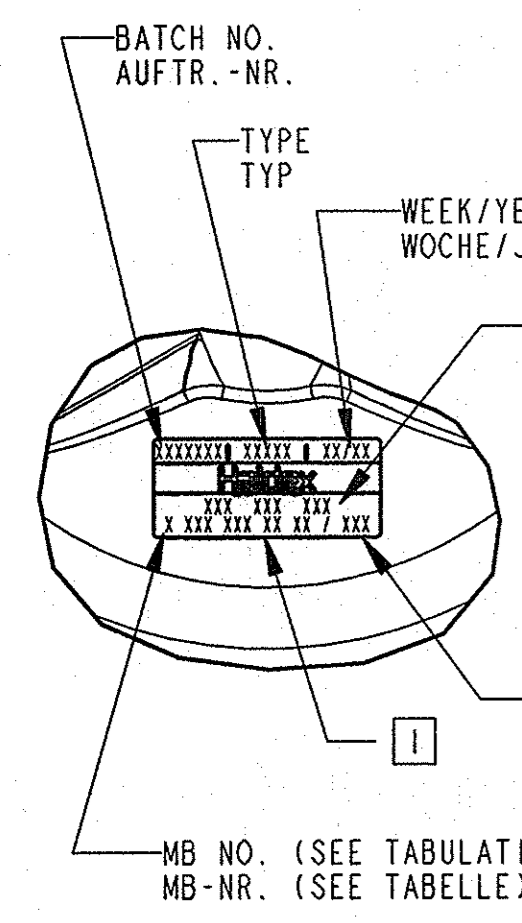
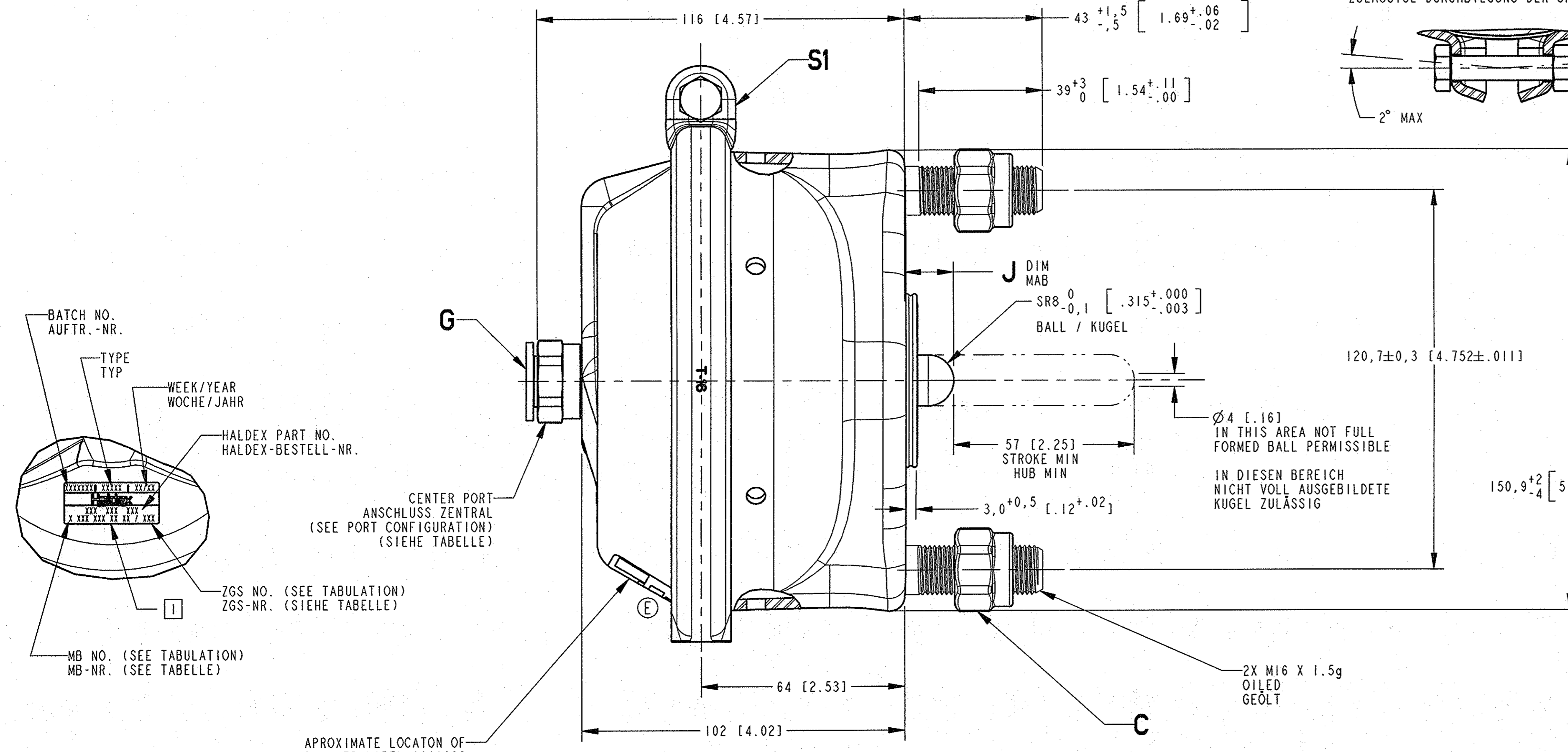


Let.	Revision	Date	Dr.	CK.	App.
E	MOVED DAIMLER BAR CODE LABEL OPPOSITE OF THE PORT. (09-287)	6 MAY 09	DCR	JH	BF



**TORQUE TABLE**  
**TABELLE DER ANZIEHDREHMOMENTE**

ITEM	N·m [LB-FT]
MOUNTING NUTS BEFESTIGUNGSMUTTERN	180-210 [133-155]
PORT FITTINGS ANSCHLUSSVERSCHRÄUBUNG	35-45 [25.5-33.5]

PERFORMANCE CHARACTERISTICS CONFORM TO HALDEX PRODUCT STANDARD ESP-3014  
KRAFTABGABE GEMÄß HALDEX SPEZIFIKATION ESP-3014

DIMENSIONS IN [ ] ARE IN INCHES  
MAßE IN [ ] SIND INCHES

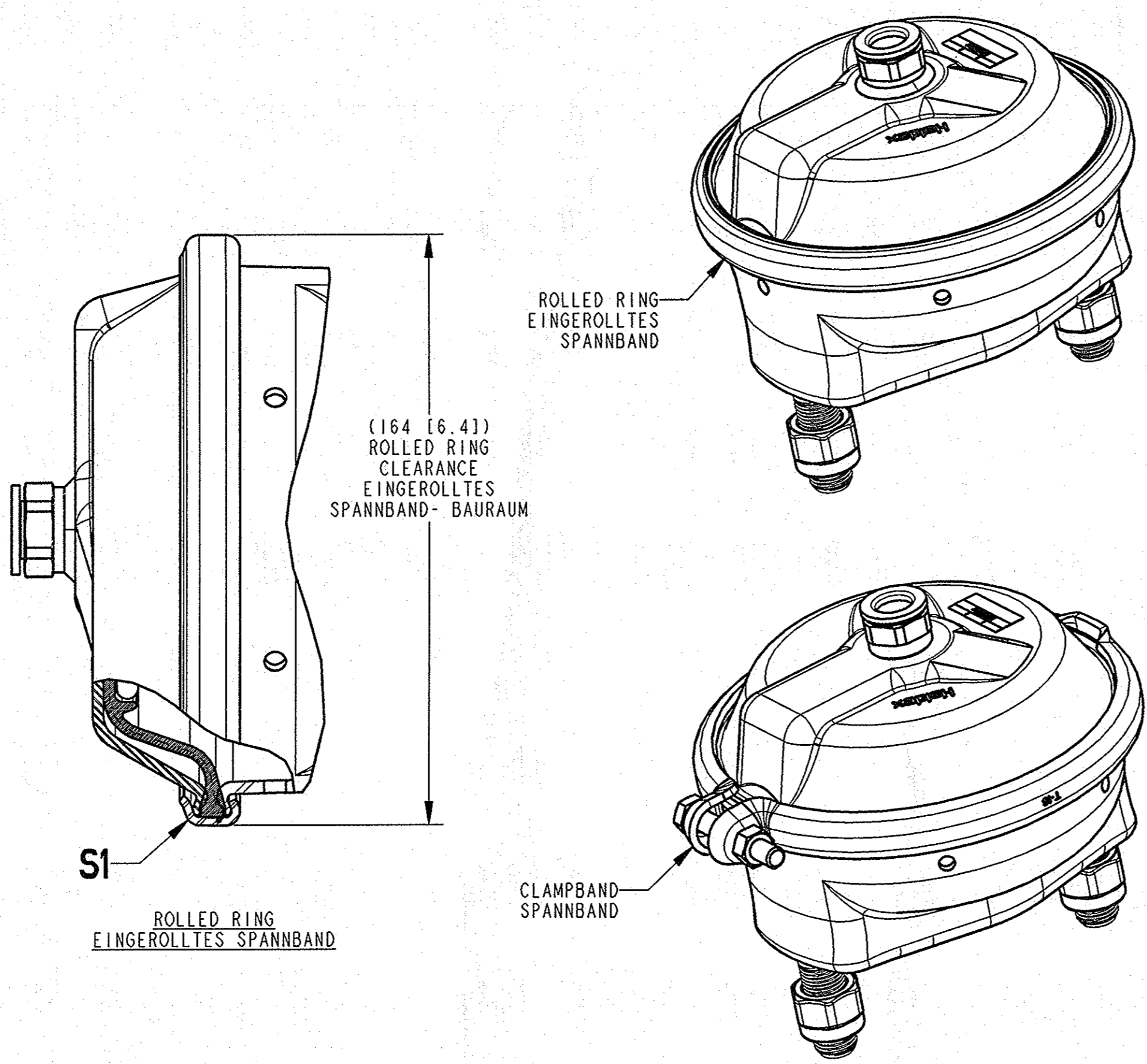
UNIT SHOWN IN BRAKE RELEASED POSITION  
ZYLINDER IN UNBETAETIGTER STELLUNG DARGESTELLT

MAXIMUM WORKING PRESSURE: 10.2 BAR [148 PSIG]  
BETRIEBSDRUCK:

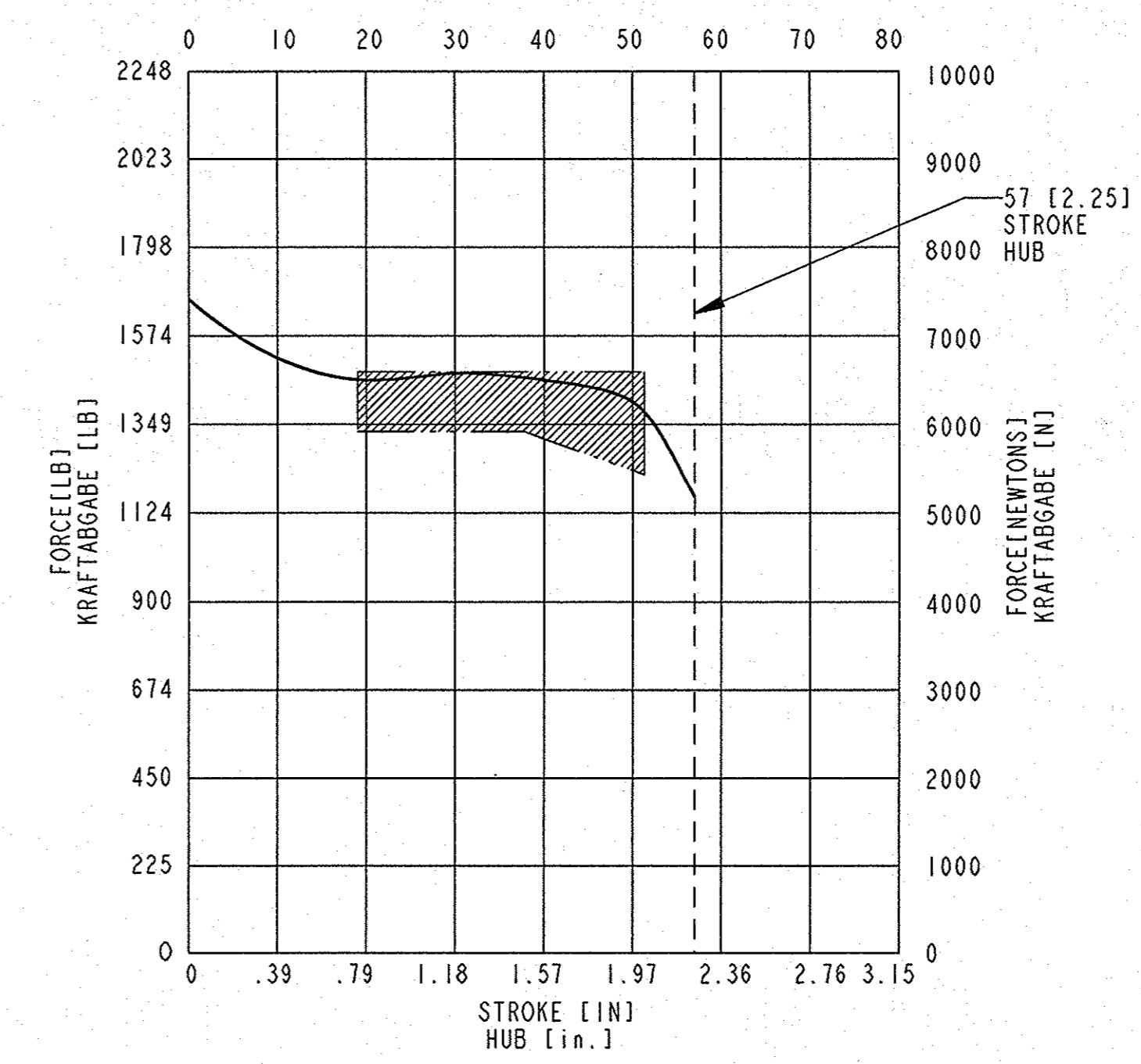
FORCE OUTPUT RETURN SPRING AT ZERO STROKE: 150±30N [34±7LB]  
KRAFTABGABE DER RUECKSTELLFEDER BEI 0-HUB:

SWEPT VOLUME: .76L  
HUBVOLUMEN:

MISALIGNMENT OF THE PUSHROD IN ANY POSITION 4°  
SCHWENKBEREICH DER DRUCKSTANGE ALLSEITIG 4°



**SERVICE CHAMBER PERFORMANCE T-16**  
**KRAFTABGABE BETRIEBSBREMSE**  
TOLERANCE BAND (ACCORDING TO DIN 74060-3) AT 6.5 BAR (94 PSI)  
STROKE [mm] HUB [mm]



**GENERAL TOLERANCES**  
**ALLGEMEIN TOLERANZEN**

NOMINAL DIMENSION RANGE (±)  
ADMESSUNGEN VON-BIS

CLASS	THIS PART	THIS PART	THIS PART	THIS PART
HEIR	HEIR	HEIR	HEIR	HEIR
	≤ 50 [1.97]	> 50 [1.97]	> 150 [5.91]	> 400 [15.75]
A	0,5 [0.019]	1,0 [0.039]	1,5 [0.059]	2,0 [0.079]
B	1,0 [0.039]	2,0 [0.079]	3,0 [0.118]	4,0 [0.157]
C	X 2,0 [0.079]	3,5 [0.138]	5,0 [0.197]	6,5 [0.256]

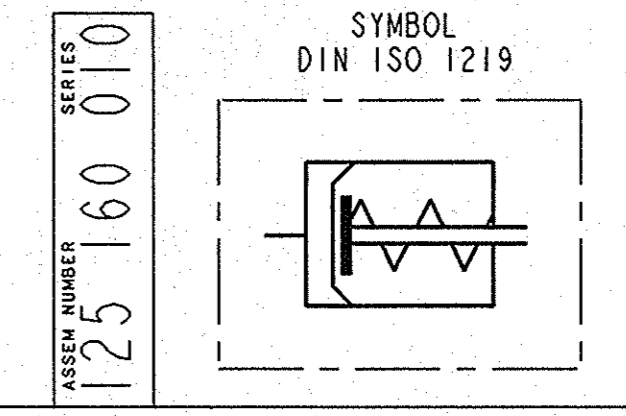
TAPPED HOLES ACCORDING TO ISO 4039 / JED-152

**APPLICATION DRAWING**  
**EINBAU ZEICHNUNG**

**DAIMLER**

ADHESIVE LABEL WITH DOUBLE OVERPAINTABLE, REMOVABLE PROTECTIVE LAYER  
TYPSCILD MIT DOPPELTER UBERLACKIERBARER, ABZIEHBARER SCHUTZFOLIE AUFGEKLEBT

THIS DRAWING USES CLASSIFIED CHARACTERISTIC SYMBOLS DEFINED IN ENGINEERING PROCEDURE PRO-20



PART NUMBER	CENTER PORT SIZE ANSCHLUSS AUSFUHRUNG	C NUT QTY 2 REQD BEFESTIGUNGS MUTTER	G THREAD PROTECTOR GEWINDESCHUTZKAPPE	J DIM/MAB ±0,5 [.020]	S ±3° / S1 CLAMPBAND or ROLLED RING EINGEROLLTES SPANNBAND	MB NUMBER MB-NR.	KZ NUMBER KZ-NR.	ZGS NUMBER ZGS-NR.	REL
125 160 011	M16 X 1.5 14 DEEP/TIEF	WITHOUT OHNE	YES	15,0 [ .591]	ROLLED RING EINGEROLLTES SPANNBAND	A 008 420 85 24	A 008 420 53 24	001	R/
125 160 010	M16 X 1.5 14 DEEP/TIEF	WITHOUT OHNE	YES	15,0 [ .591]	0°	A 008 420 52 24	A 008 420 53 24	001	R/

DIMENSIONS UNLESS OTHERWISE SPECIFIED CONFORM WITH ASME Y14.5M

THIS DRAWING CONTAINS CONFIDENTIAL PROPRIETARY INFORMATION OF HALDEX BRAKE PRODUCTS CORPORATION AND IS SUBJECT TO RETURN UPON REQUEST. THE FURNISHING OF THIS DRAWING IS NOT TO BE CONSTRUED AS THE GRANT OF ANY LICENSE, EITHER EXPRESS OR IMPLIED, TO MANUFACTURE, HAVE MANUFACTURED, USE OR SELL THE STRUCTURES SHOWN HEREON.

EDR Date: 05/11/09 (E)

SUPERSEDES: \_\_\_\_\_ SUPERSEDED BY: \_\_\_\_\_

Third Angle Projection  TOLERANCES Unless Otherwise Specified 129/finish per ANSI B46.1 Dimensions in  inches  mm DO NOT SCALE DRAWING

MATERIAL: \_\_\_\_\_ Material Approved: \_\_\_\_\_ Weight: \_\_\_\_\_ lb \_\_\_\_\_ kg

Drawn: DC RHOADS 05-327 27 JUN 05  
Checked: SR 6/29/05  
Approved: BF 29 JUN 05  
Originally for: \_\_\_\_\_  
Scale: NONE

ASSEMBLY NUMBER: 125 160 010

ASSEMBLY NAME: CHAMBER ASSY, T-16, 2.25 STK

ASSEMBLY NUMBER: 125 160 010  
GENERIC MODEL NO: 125160010