

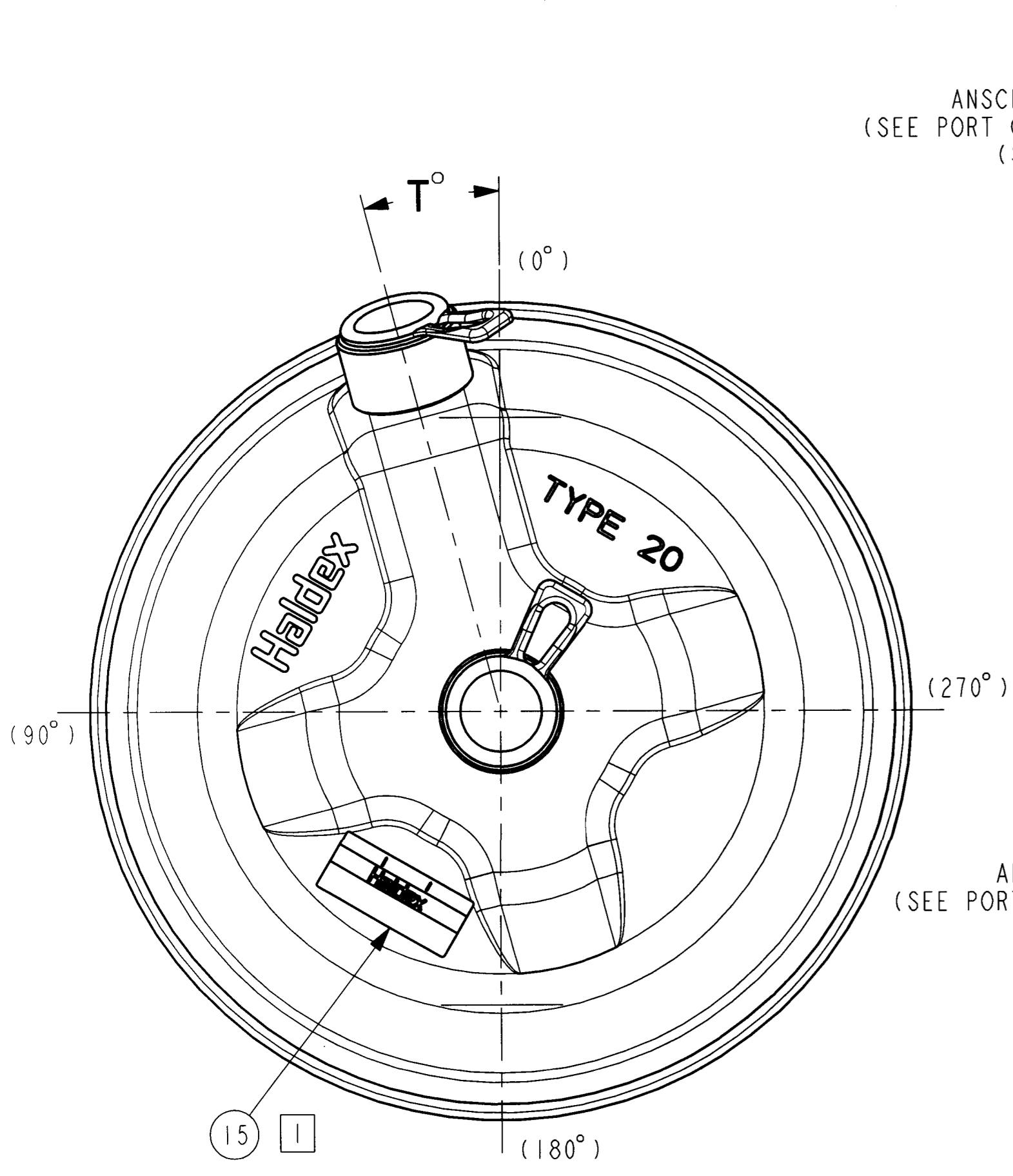
Let.	Revision	Date	Dr.	CK.	App.
13	MOVED 125200003 TO ITS OWN APPLICATION DRAWING	13MAR2012	DCR	BF	BF

FLAG NOTE 2 ON PARTS REMOVED PORT TORQUE NOTE ALREADY SPECIFIED IN THE TORQUE TABLE

UPDATED BRAKE FLANGE BOOT CAVITY TO CURRENT STANDARD

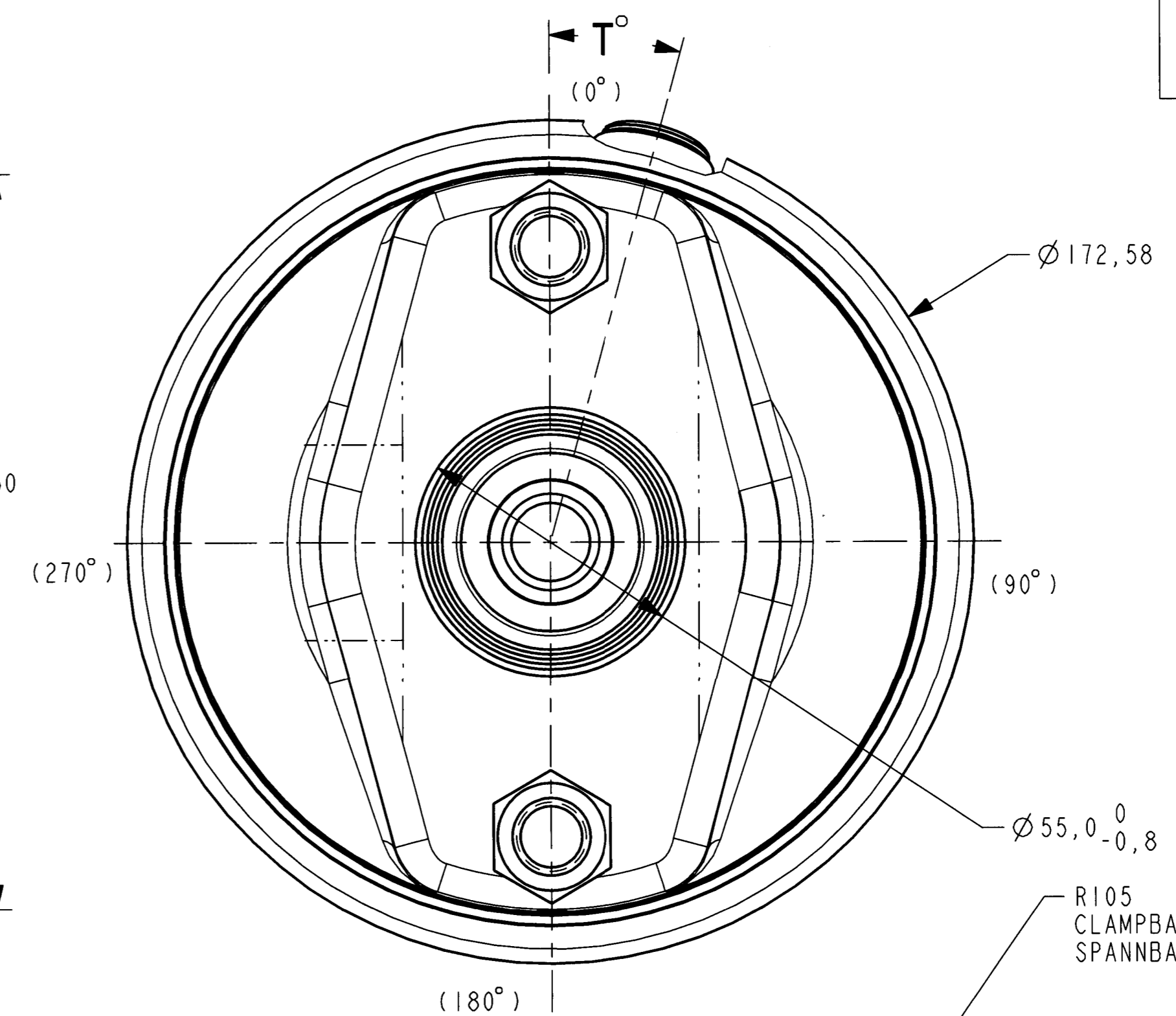
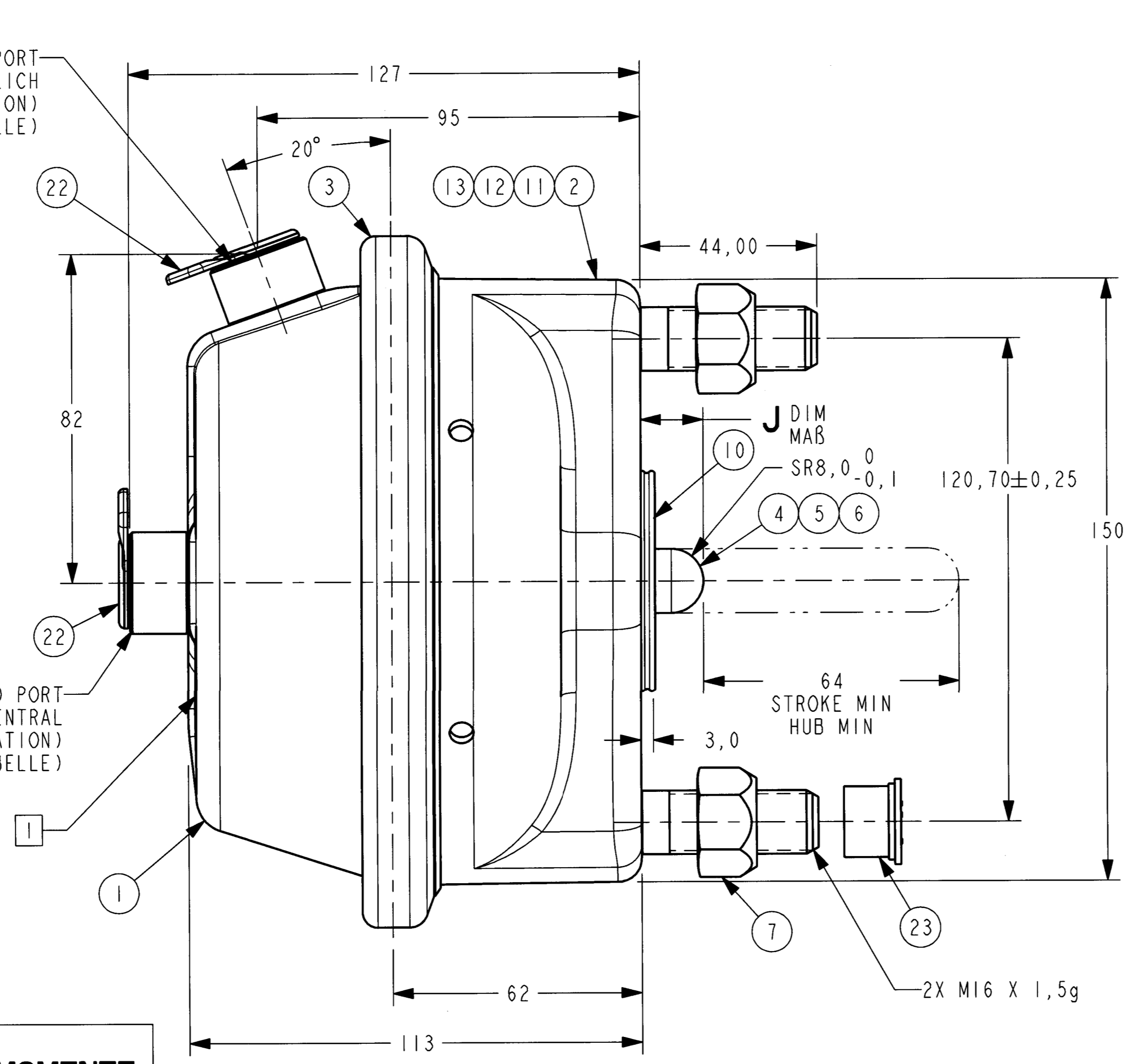
NOTE 3 BECAME NOTE 2

J TOLERANCE IN TABLE ±1 was ±0.5 THIS IS THE STANDARD TOLERANCE EXCEPT FOR DAIMLER PRODUCTS (12-102)



⑬ SIDE PORT ANSCHLUSS SEITLICH (SEE PORT CONFIGURATION) (SIEHE TABELLE)

⑬ END PORT ANSCHLUSS ZENTRAL (SEE PORT CONFIGURATION) (SIEHE TABELLE)



DDD S Y Y L
 LOCATION
 A=APODACA, MEXICO
 H=HUNGARY
 YEAR
 SHIFT
 A=F FIRST
 B=SECOND
 C=THIRD
 JULIAN DATE

TYPE TYP
 HALDEX PART NO.
 HALDEX BESTELL-NR
 CUSTOMER PART NO. (IF AVAILABLE)
 KUNDENNUMMER (WENN VORHANDEN)

GENERAL TOLERANCES ALLGEMEIN TOLERANZEN					
NOMINAL DIMENSION RANGE ABMESSUNGEN VON-BIS					
CLASS	THIS PART	E 50	> 50 > 150	> 150 > 400	> 400
	HEIR	E 150	E 400		
A		0.5	1.0	1.5	2.0
B		1.0	2.0	3.0	4.0 ±3°
C	x	2.0	3.5	5.0	6.5

TAPPED HOLES ACCORDING TO ISO 4039 / JED-152

TORQUE TABLE TABELLE DER ANZIEHDREHMENTE	
ITEM	N+m
M16 MOUNTING NUTS BEFESTIGUNGSMÜTTERN	180-210
M16 PORT FITTINGS ANSCHLUSSVERSCHRAUBUNG	35-40

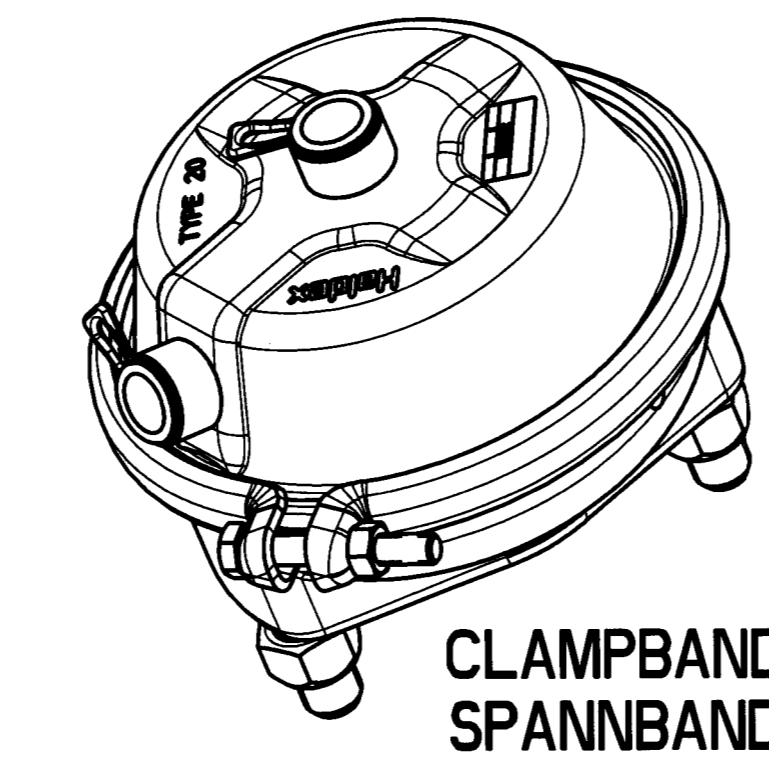
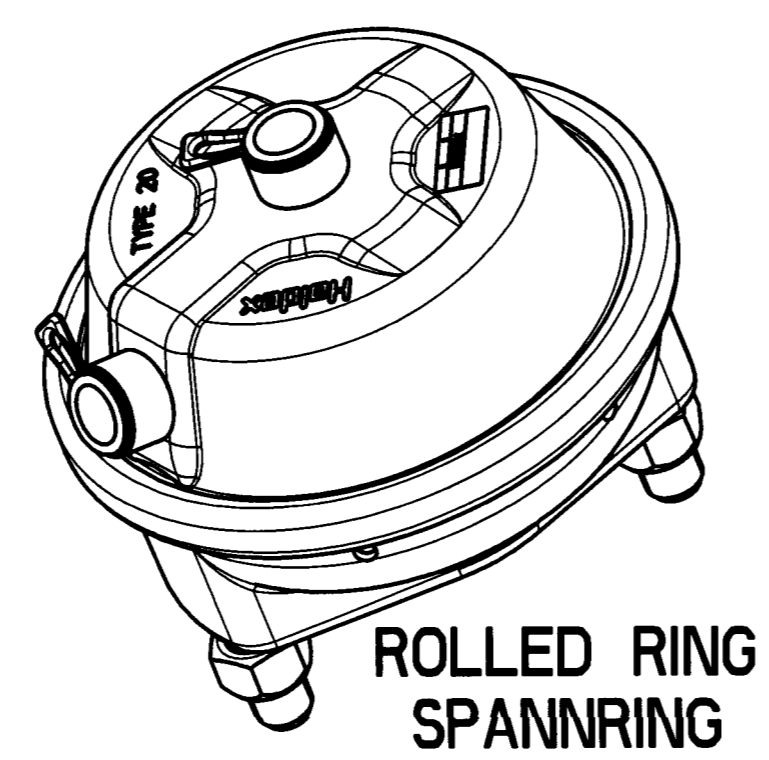
PERFORMANCE CHARACTERISTICS CONFORM TO HALDEX PRODUCT STANDARD ESP-3014
 KRAFTABGABE MÄÙE HALDEX SPEZIFIKATION ESP-3014

UNIT SHOWN IN BRAKE RELEASED POSITION
 ZYLINDER IN UNBETAETIGTER STELLUNG DARGESTELLT

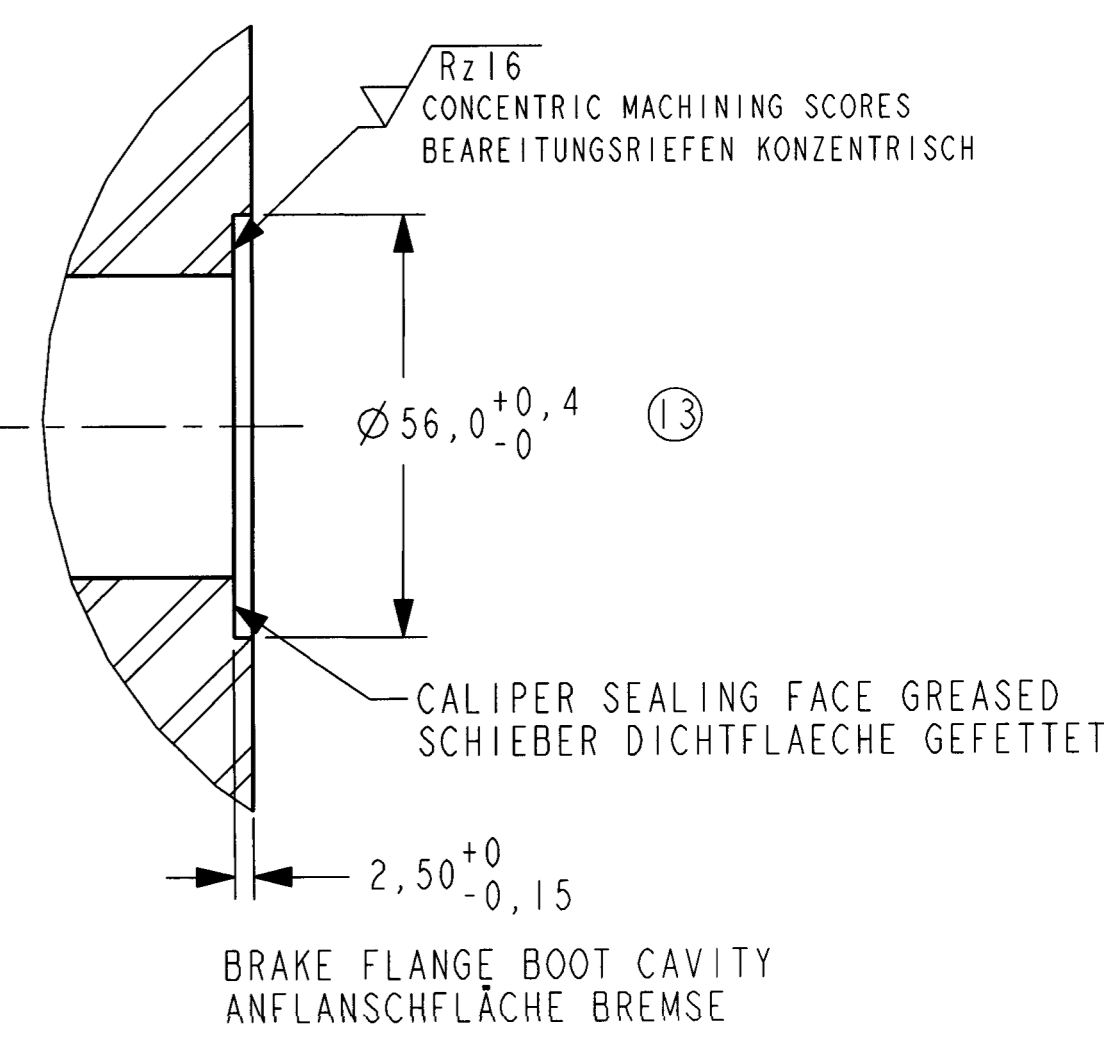
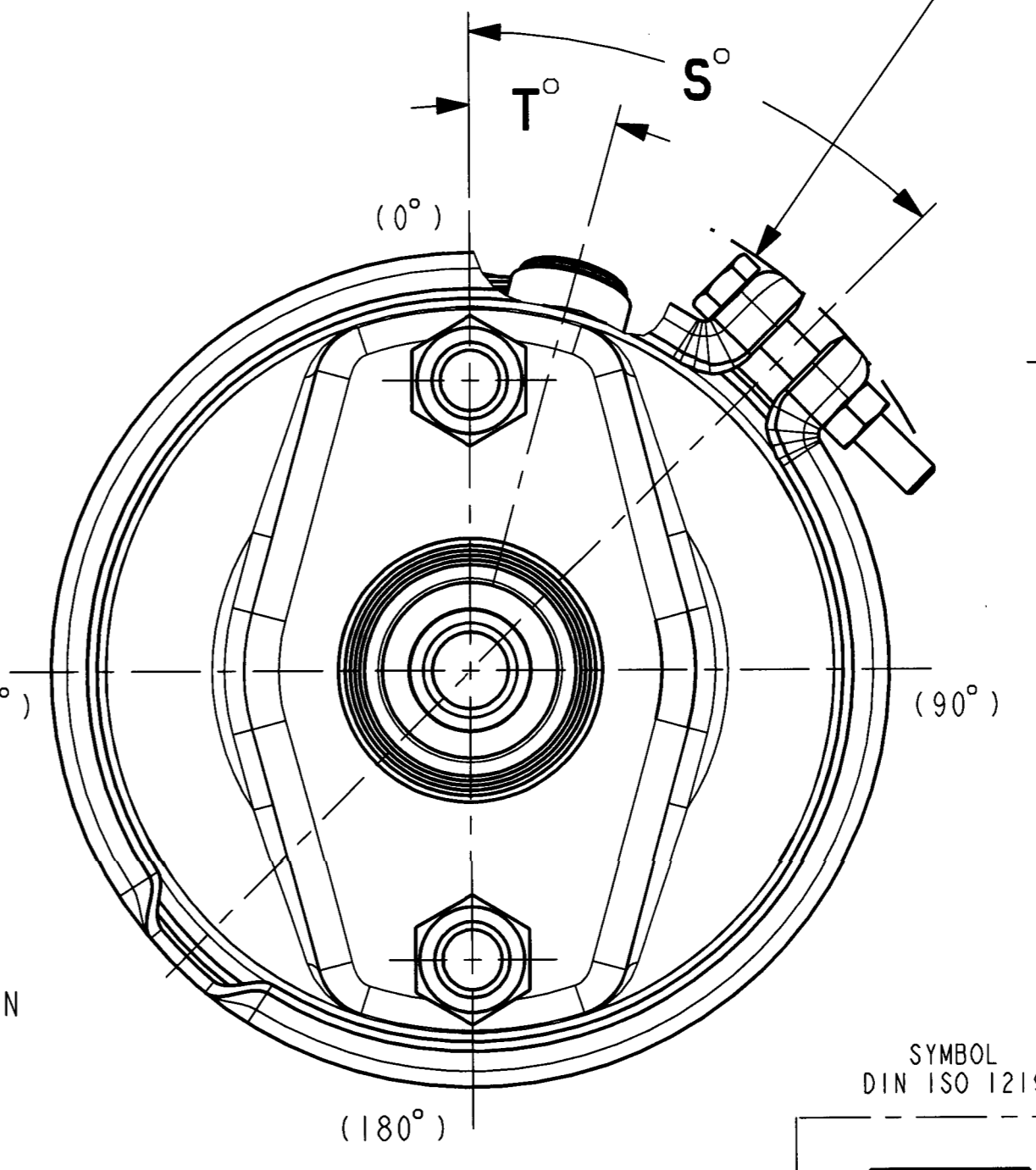
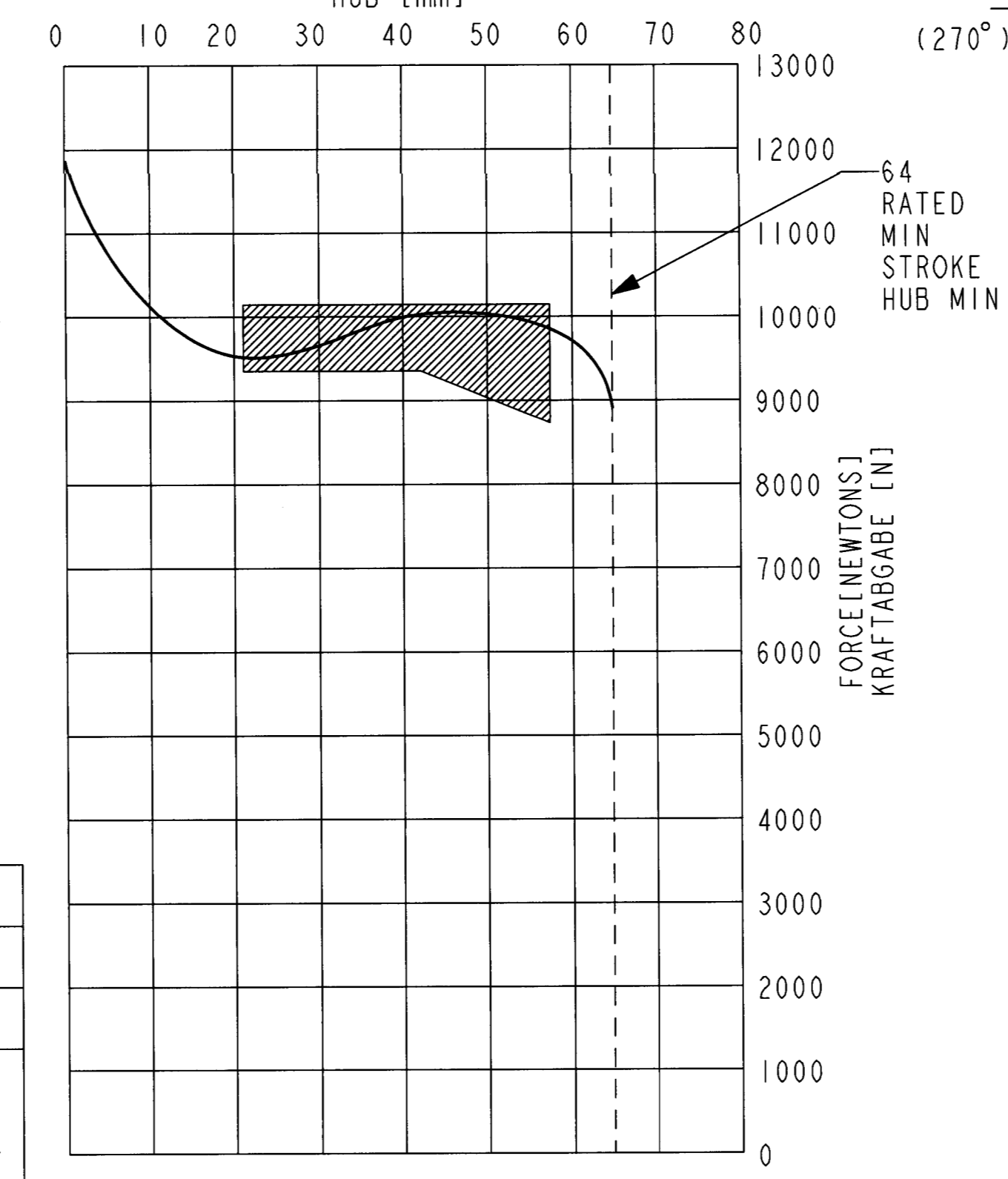
MAXIMUM WORKING PRESSURE: 10,2 BAR
 BETRIEBSDRUCK:

SERVICE CHAMBER VOLUME: 1170 cc MAX AT RATED STROKE
 MAX. ZYLINDERVOLUMEN: 1170 cm³ BEI NORMALHUB

FORCE OUTPUT RETURN SPRING AT ZERO STROKE: 150±30 N
 KRAFTABGABE DER RUECKSTELLFEDER BEI 0-HUB:

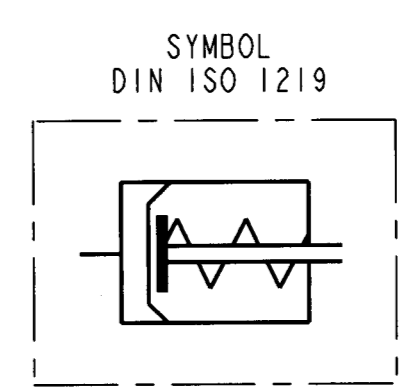


SERVICE CHAMBER PERFORMANCE T-20
 TOLERANCE BAND (ACCORDING TO DIN 74060-3) AT 8,5 BAR



APPLICATION DRAWING EINBAU ZEICHNUNG

THIS DRAWING USES CLASSIFIED CHARACTERISTIC SYMBOLS DEFINED IN ENGINEERING PROCEDURE PRO-20



- 1 MARK PART NUMBER AND DATE CODE OR ATTACH LABEL PER HALDEX SPEC ESD-3023-Y IN AREA SHOWN IM DARGESTELLTEN BERIECH BESTELL- NR. UND DATUMSCODE EINGEPRAEGT ODER TYPSCHEID NACH HALDEX SPEZIFIKATION ESD-3023-Y ANGEBRACHT
- 2 IF THE SIDE PORT IS NOT PRESENT, THEN ORIENT THE FLAT TO 0° UNLESS OTHERWISE SPECIFIED IN THE TABLE AS T FALLS KEIN SEITLICHER ANSCHLUSS VORHANDEN, IST DIE ABFLACHUNG AUF 0° POSITION MONTIERT

125200003	THIS HAS BEEN MOVED TO ITS OWN SEPERATE APPLICATION DRAWING ⑬								
125200002		M16 X 1.5 14 DEEP/TIEF	WITHOUT OHNE	YES	15,0	2	ROLLED RING SPANNRING	N/A	R/
125200001		M16 X 1.5 14 DEEP/TIEF	WITH MIT	YES	15,0	0°	CLAMPBAND SPANNBAND	135°	R/
PART NUMBER BESTELL-NR.	SIDE SEITLICH	END ZENTRAL	ITEM 7 QTY 2 REOD NUT BEFESTIGUNGS MUTTER	ITEM 23 THREAD PROTECTOR GEWINDESCHUTZKAPPE	J DIM/MAB ±1 ⑬	T ±3° PORTS LUFTANSCHLUSS	ROLLED RING SPANNRING OR CLAMPBAND SPANNBAND	S ±5° CLAMPBAND SPANNBAND	REL

EDR Date: 4/4/2012 CW		SUPERSEDED BY:	
23	THREAD PROTECTOR	Third Angle Projection	TOLERANCES Unless Otherwise Specified 125/Finish per ANSI B46.1
22	PROTECTOR/PLUG, PORT LABEL (OPTIONAL PER [1])	1 Place ± ---	Angular ± ---
15	LOCATOR, SPRING	2 Place ± ---	DO NOT SCALE DRAWING
13	LOCATOR, SPRING	3 Place ± ---	
12	SPRING, RETURN		
11	DIAPHRAGM	MATERIAL	Material Approved
10	BOOT		Weight
7	NUT, HEX LOCK	Drwg. ANDERSON	07-376
6	WASHER, SHIM (0,5mm)	Checked 11-SEPT-07	
6	WASHER, SHIM (1,0mm)	Approved BF	
5	ROD END, SPHERICAL	Approved BF	
4	PUSHROD ASSY	Approved BF	
3	ROLLED RING	Approved BF	
2	HOUSING ASSY, STUD	Approved BF	
1	HOUSING ASSY, PRESSURE	Approved BF	
ITEM	DESCRIPTION	Scale NONE	

ASSEMBLY NUMBER: 125200001

ASSEM NAME: CHAM20 AIR

ASSEM NUMBER: 125200001

GENERIC MODEL NO. 125200000.GENERIC