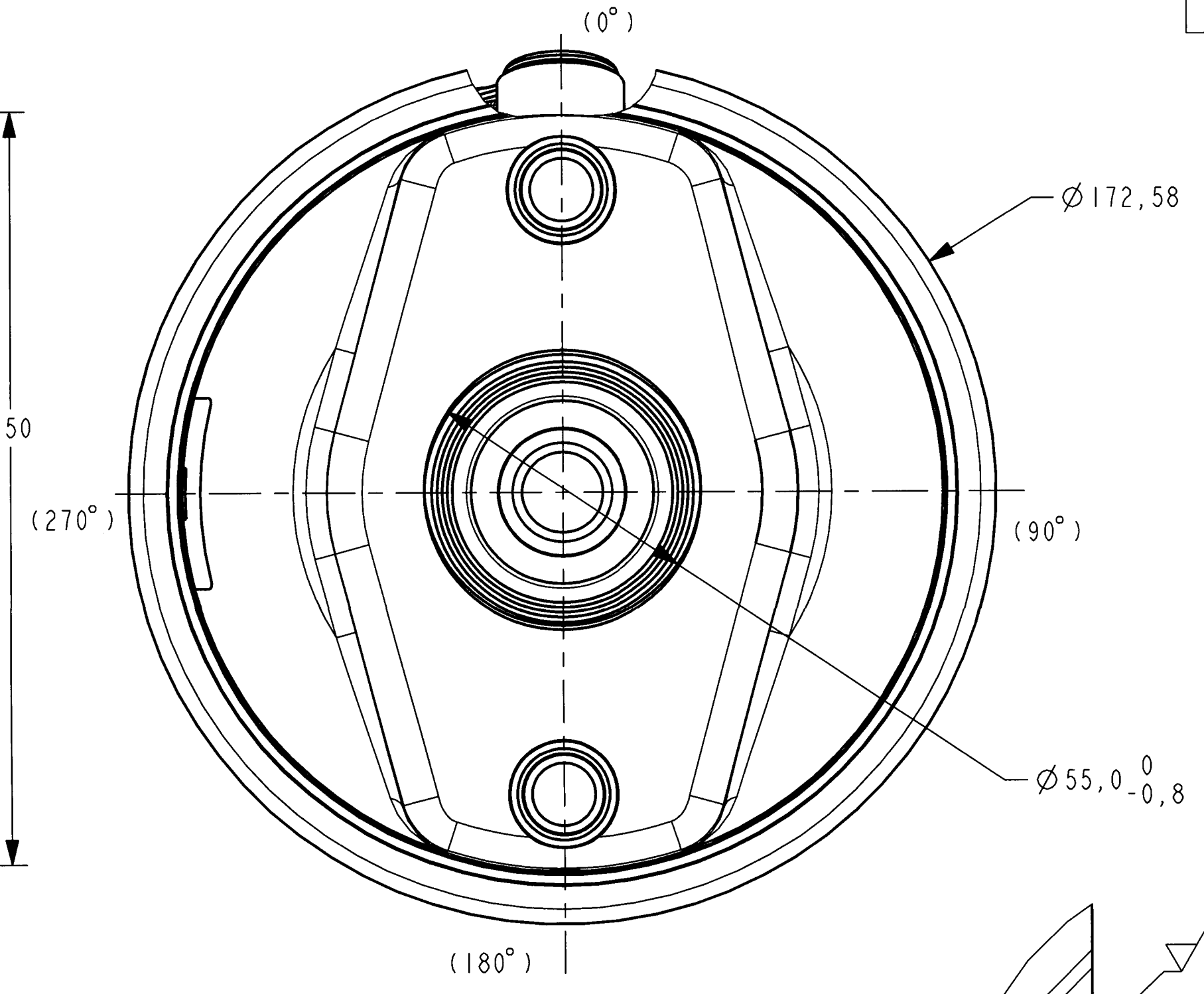
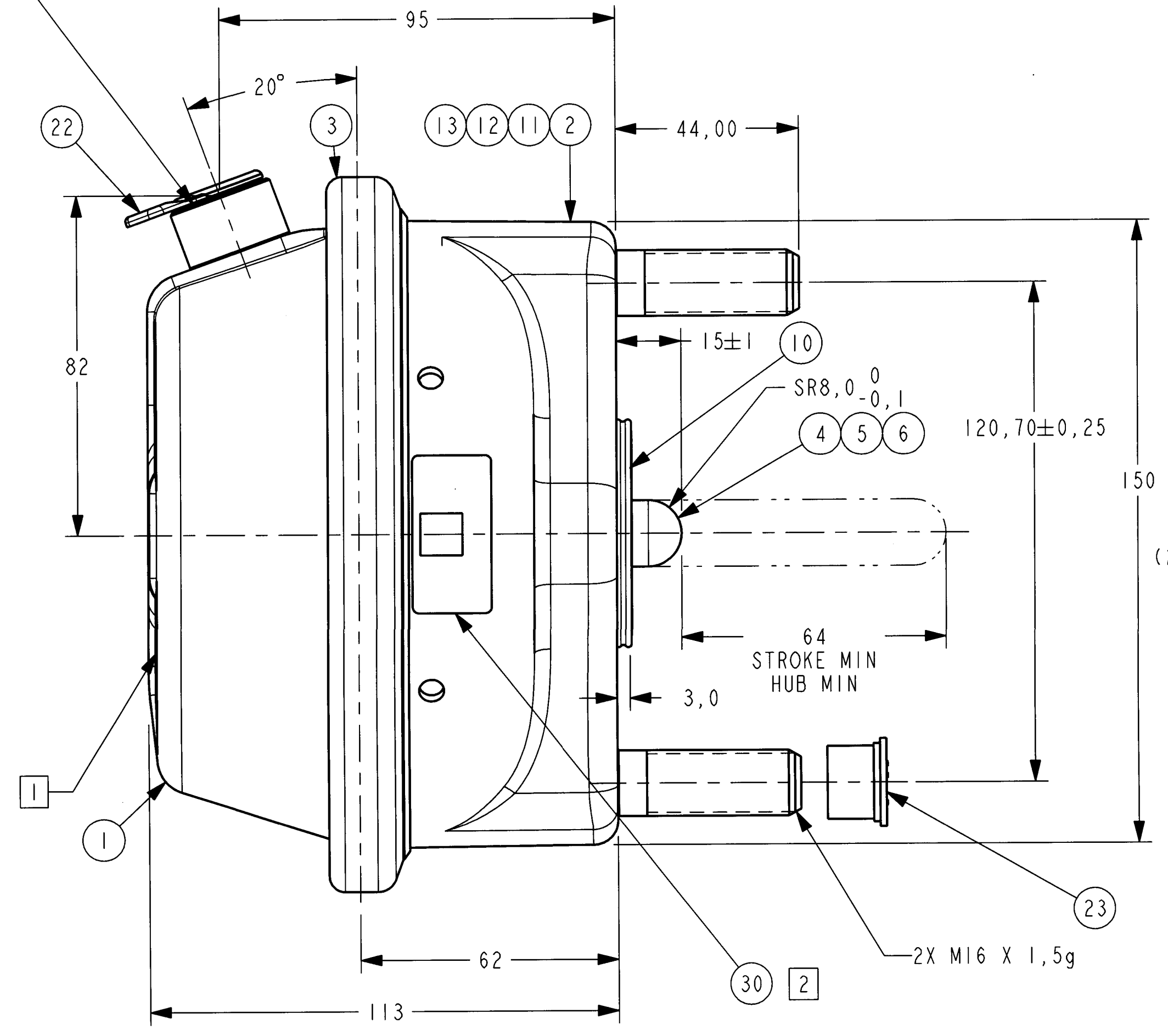
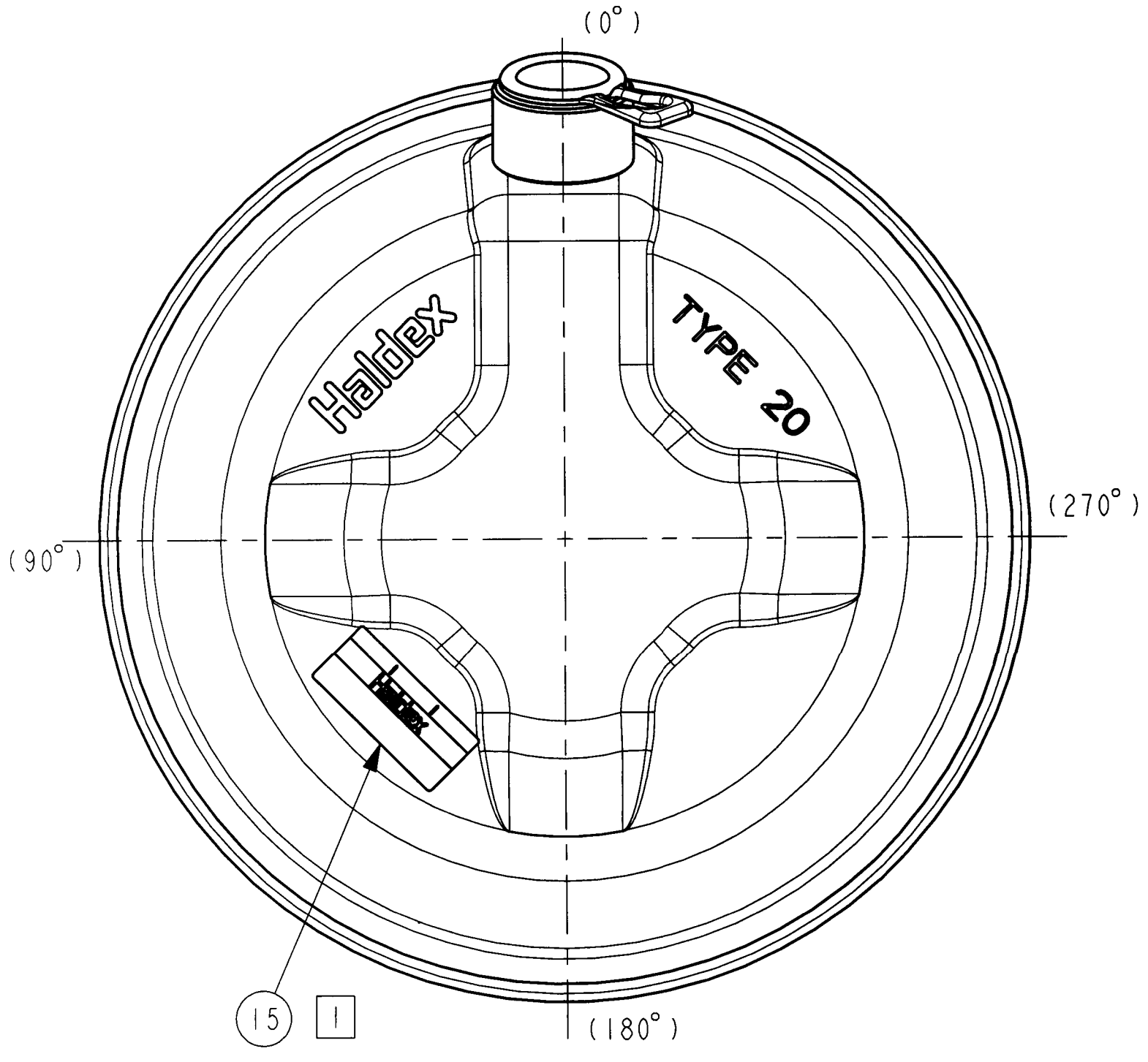


Let.	Revision	Date	Dr.	CK.	App.
13	MOVED FROM 12520001 APPLICATION DRAWING	13MAR2012	DCR	JRE	BF
(12-102)					

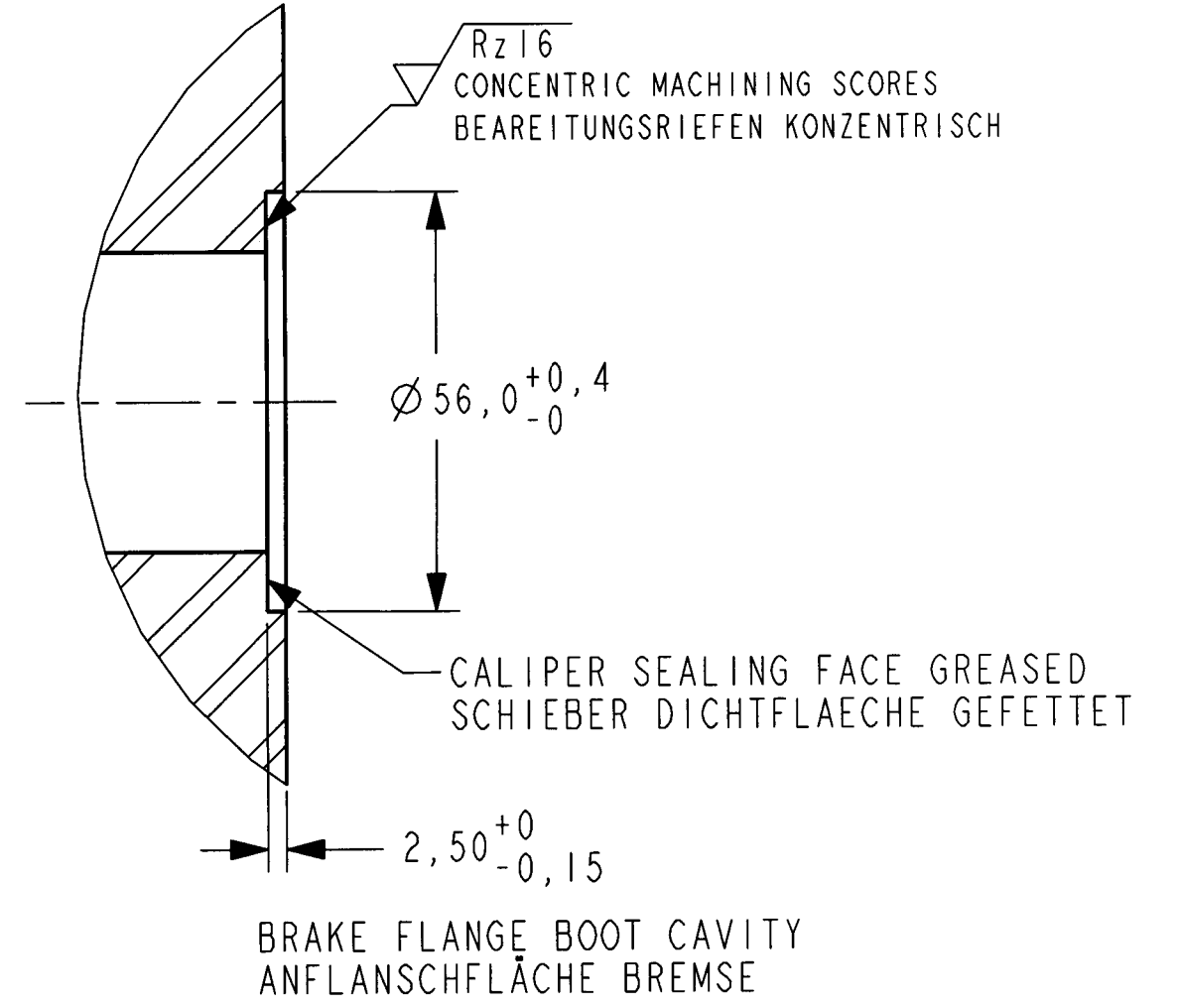
SIDE PORT ANSCHLUSS SEITLICH (SEE PORT CONFIGURATION) (SIEHE TABELLE) M16 X 1,5 14 DEEP/TIEF



DDD S YY L
 LOCATION
 A=APODACA, MEXICO
 H=HUNGARY
 YEAR
 SHIFT
 A=FIRST
 B=SECOND
 C=THIRD
 JULIAN DATE

TYPE
 TYP

HALDEX PART NO.
 HALDEX BESTELL-NR
 CUSTOMER PART NO. (IF AVAILABLE)
 KUNDENNUMMER (WENN VORHANDEN)



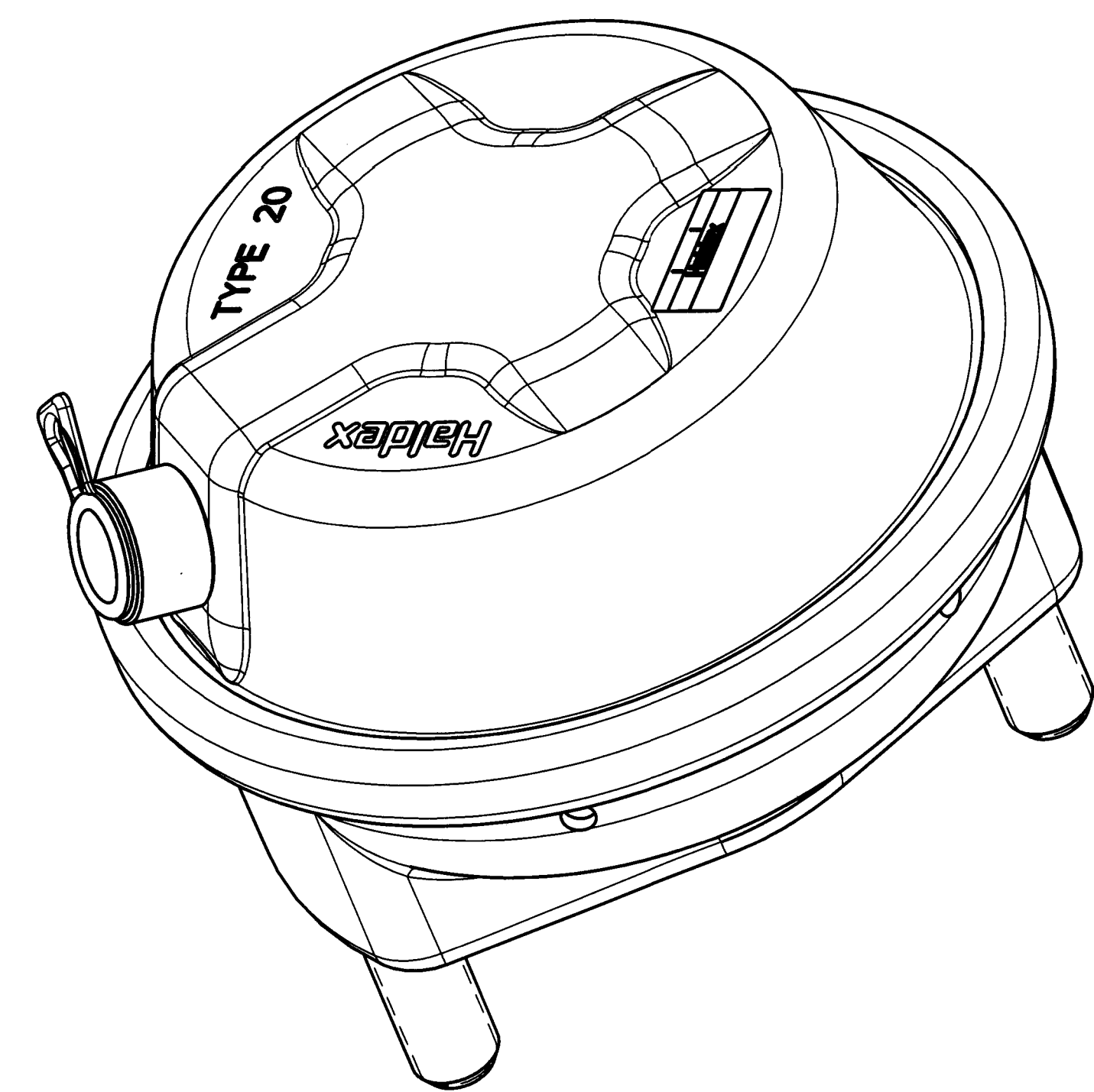
GENERAL TOLERANCES ALLGEMEIN TOLERANZEN

CLASS	THIS PART	NOMINAL DIMENSION RANGE (±)			
		≤ 50	> 50 - 150	> 150 - 400	> 400
A	HEIR	0,5	1,0	1,5	2,0
B		1,0	2,0	3,0	4,0
C	X	2,0	3,5	5,0	6,5

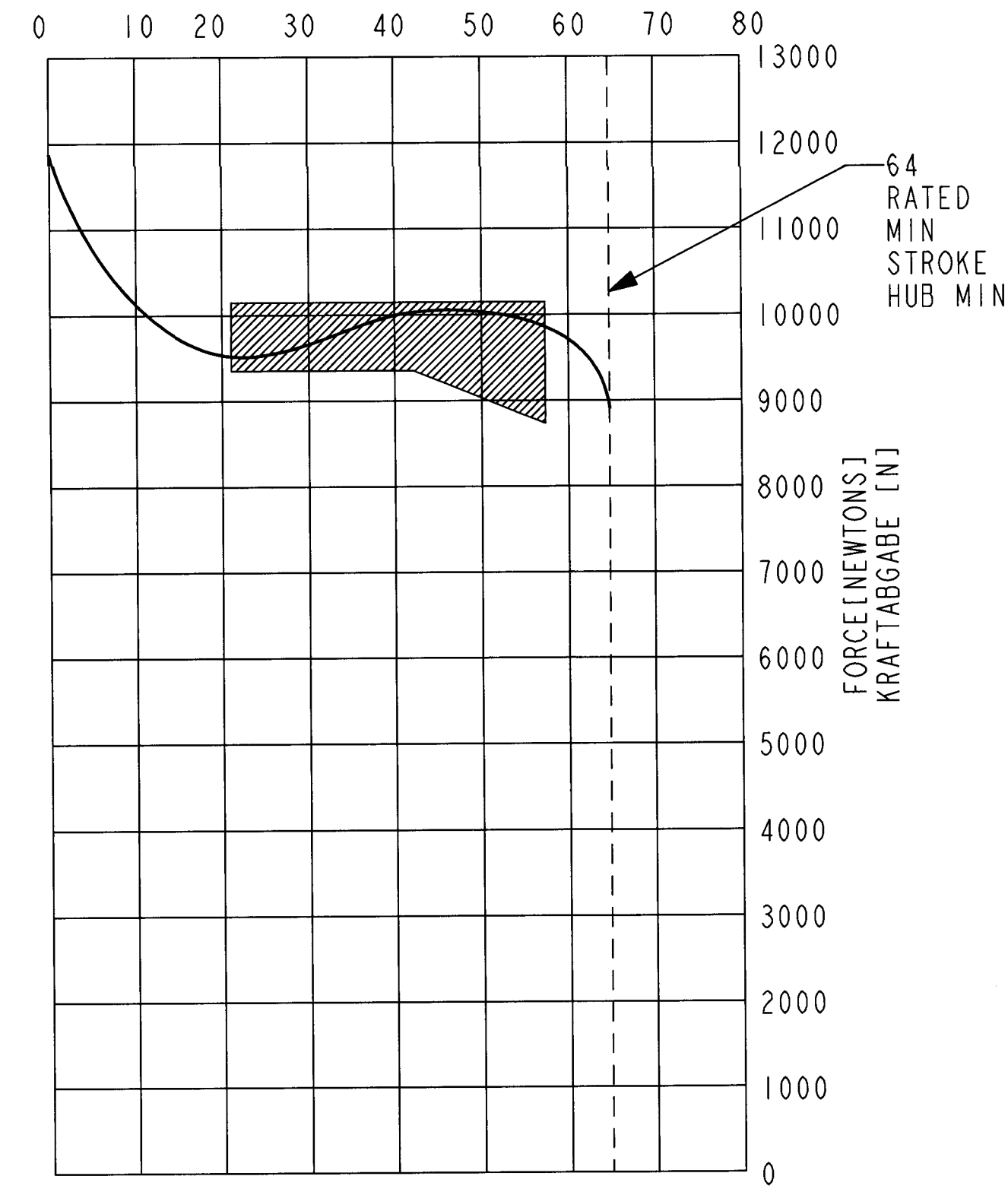
TAPPED HOLES ACCORDING TO ISO 4039 / JED-152

TORQUE TABLE TABELLE DER ANZIEHDREHMOMENTE

ITEM	N·m
M16 MOUNTING NUTS BEFESTIGUNGSMÜTTERN	180-210
M16 PORT FITTINGS ANSCHLUSSVERSCHRAUBUNG	35-40



SERVICE CHAMBER PERFORMANCE T-20
 TOLERANCE BAND (ACCORDING TO DIN 74060-3) AT 8,5 BAR
 STROKE [mm]
 HUB [mm]



PERFORMANCE CHARACTERISTICS CONFORM TO HALDEX PRODUCT STANDARD ESP-3014
 KRAFTABGABE MÄÙE HALDEX SPEZIFIKATION ESP-3014

UNIT SHOWN IN BRAKE RELEASED POSITION
 ZYLINDER IN UNBETAETIGTER STELLUNG DARGESTELLT

MAXIMUM WORKING PRESSURE: 10,2 BAR
 BETRIEBSDRUCK:

SERVICE CHAMBER VOLUME: 1170 cc MAX AT RATED STROKE
 MAX. ZYLINDERVOLUMEN: 1170 cm³ BEI NORMALHUB

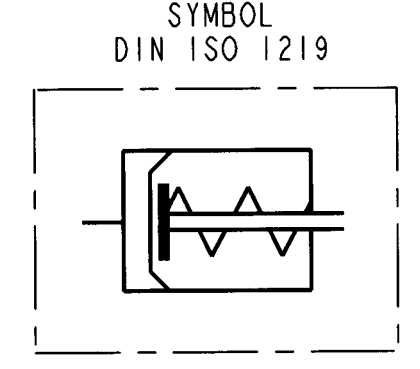
FORCE OUTPUT RETURN SPRING AT ZERO STROKE: 150±30 N
 KRAFTABGABE DER RUECKSTELLFEDER BEI 0-HUB:

1 MARK PART NUMBER AND DATE CODE OR ATTACH LABEL PER HALDEX SPEC ESD-3023-Y IN AREA SHOWN
 IM DARGESTELLTEN BEREICH BESTELL- NR. UND DATUMSCODE EINGEPRÄGT ODER TYPSCHEID NACH HALDEX SPEZIFIKATION ESD-3023-Y ANGEBRACHT

2 BAR CODE LABEL ATTACHED IN APPROXIMATE LOCATION SHOWN
 BAR CODE ETIKETT IM DARGESTELLTEN BEREICH ANGEBRACHT

APPLICATION DRAWING
 EINBAU ZEICHNUNG
 SCHMITZ

THIS DRAWING USES CLASSIFIED CHARACTERISTIC SYMBOLS DEFINED IN ENGINEERING PROCEDURE PRO-20



DIMENSIONS UNLESS OTHERWISE SPECIFIED CONFORM WITH ASME Y14.5M
 THIS DRAWING CONTAINS CONFIDENTIAL PROPRIETARY INFORMATION OF HALDEX. BRAKE PRODUCTS CORPORATION AND IS SUBJECT TO RETURN UPON REQUEST. THE FURNISHING OF THIS DRAWING IS NOT TO BE CONSIDERED AS THE GRANT OF ANY LICENSE, EITHER EXPRESS OR IMPLIED, TO MANUFACTURE, HAVE MANUFACTURED, USE OR SELL THE STRUCTURES SHOWN HEREON.

30	BAR CODE LABEL	Superseded by	4/4/2012 CW	Superseded by	
23	THREAD PROTECTOR	Third Angle Projection	TOLERANCES UNLESS OTHERWISE SPECIFIED	125 Finish per ANSI B46.1	Dimensions in <input checked="" type="checkbox"/> Inches <input type="checkbox"/> mm
22	PROTECTOR/PLUG, PORT	1 Place ± ---	2 Place ± ---	3 Place ± ---	Angular ± ---
15	LABEL (OPTIONAL PER [T])	DO NOT SCALE DRAWING			
13	LOCATOR, SPRING	MATERIAL			
12	SPRING, RETURN	Material Approved			
11	DIAPHRAGM	Weight			
10	BOOT	lb			
6	WASHER, SHIM (0,5mm)	Drawn	DC RHOADS	12-102	HALDEX BRAKE PRODUCTS CORPORATION Kansas City, Missouri
6	WASHER, SHIM (1,0mm)	Checked	13 MAR 2012	CHAM20 AIR	
5	ROD END, SPHERICAL	ASSEM NAME			
4	PUSHROD ASSY	CHAMBER ASSY, T-20			
3	ROLLED RING	ASSEM NUMBER			
2	HOUSING ASSY, STUD	125200003			
1	HOUSING ASSY, PRESSURE	Scale NONE			
ITEM	DESCRIPTION	GENERIC MODEL NO. 125200000.GENERIC			

ASSEM NUMBER 125200003