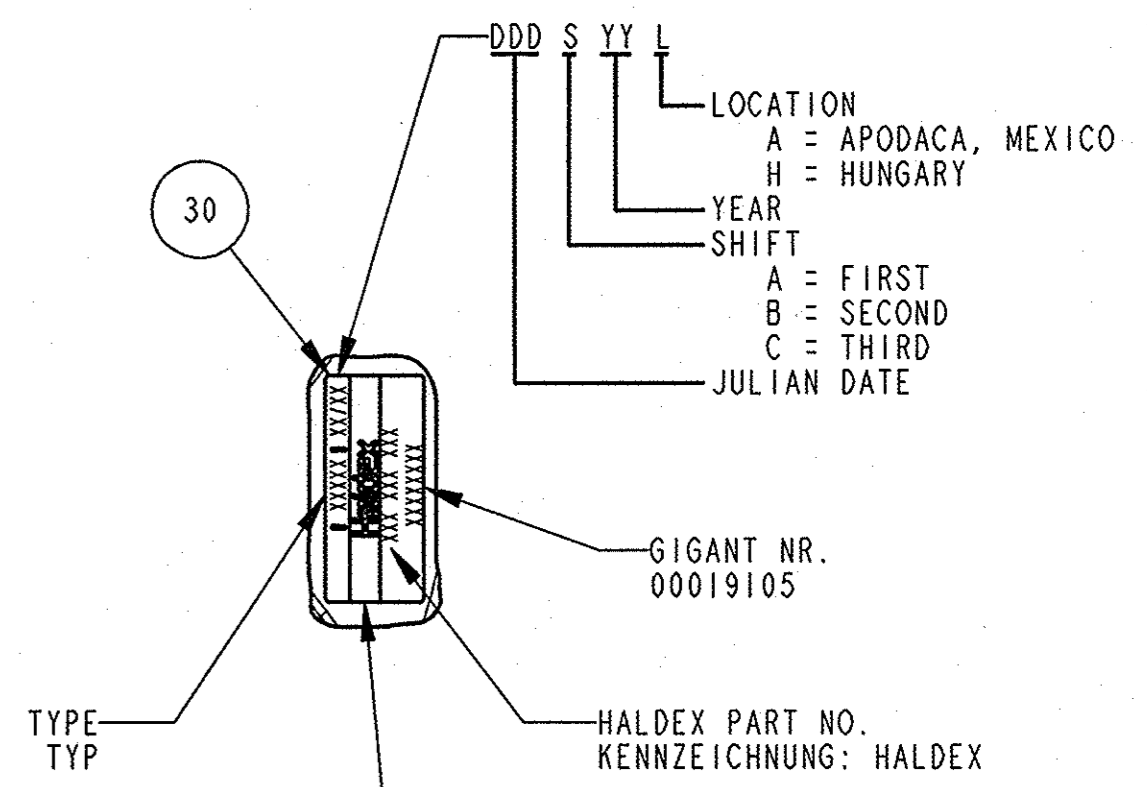
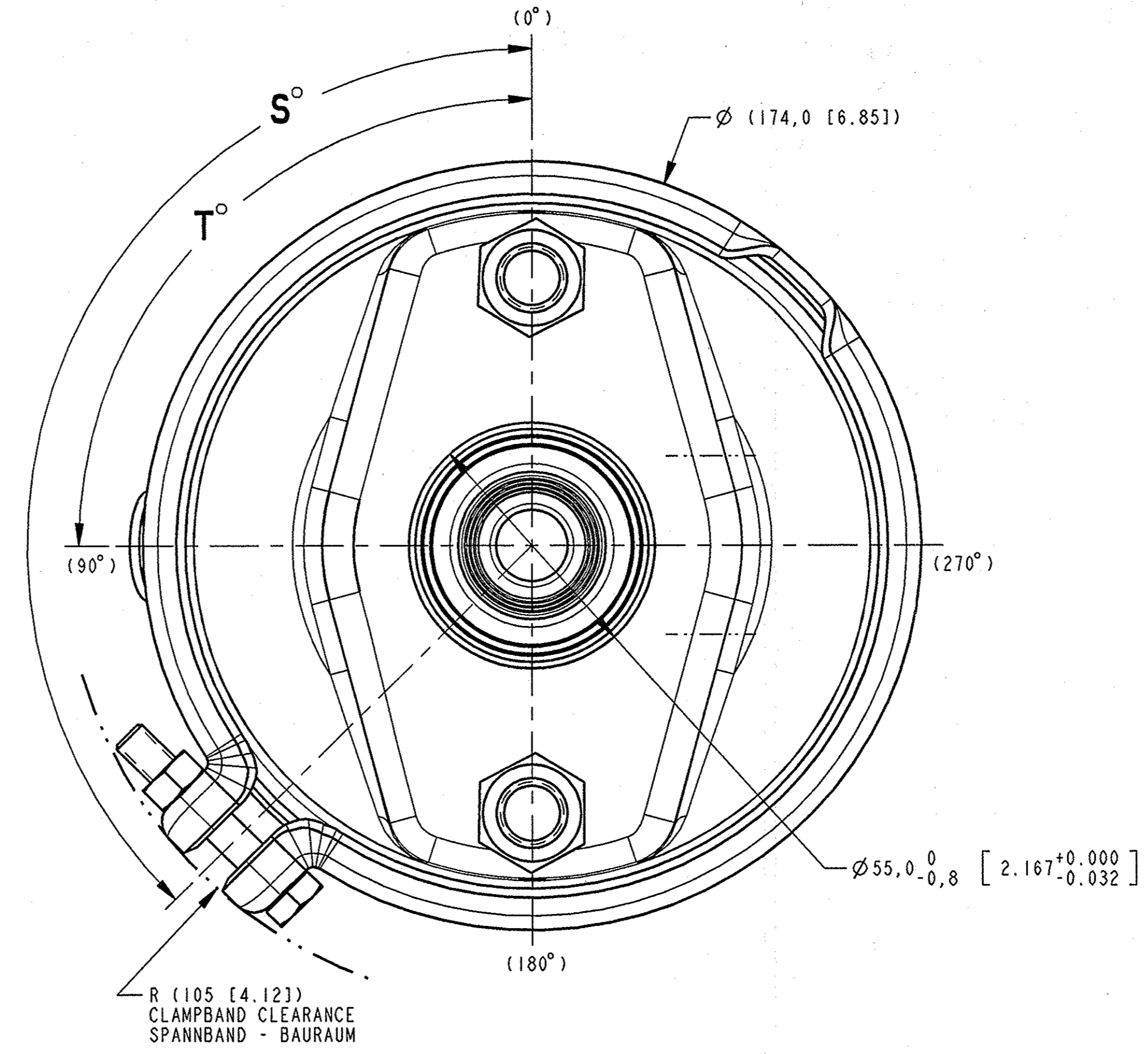
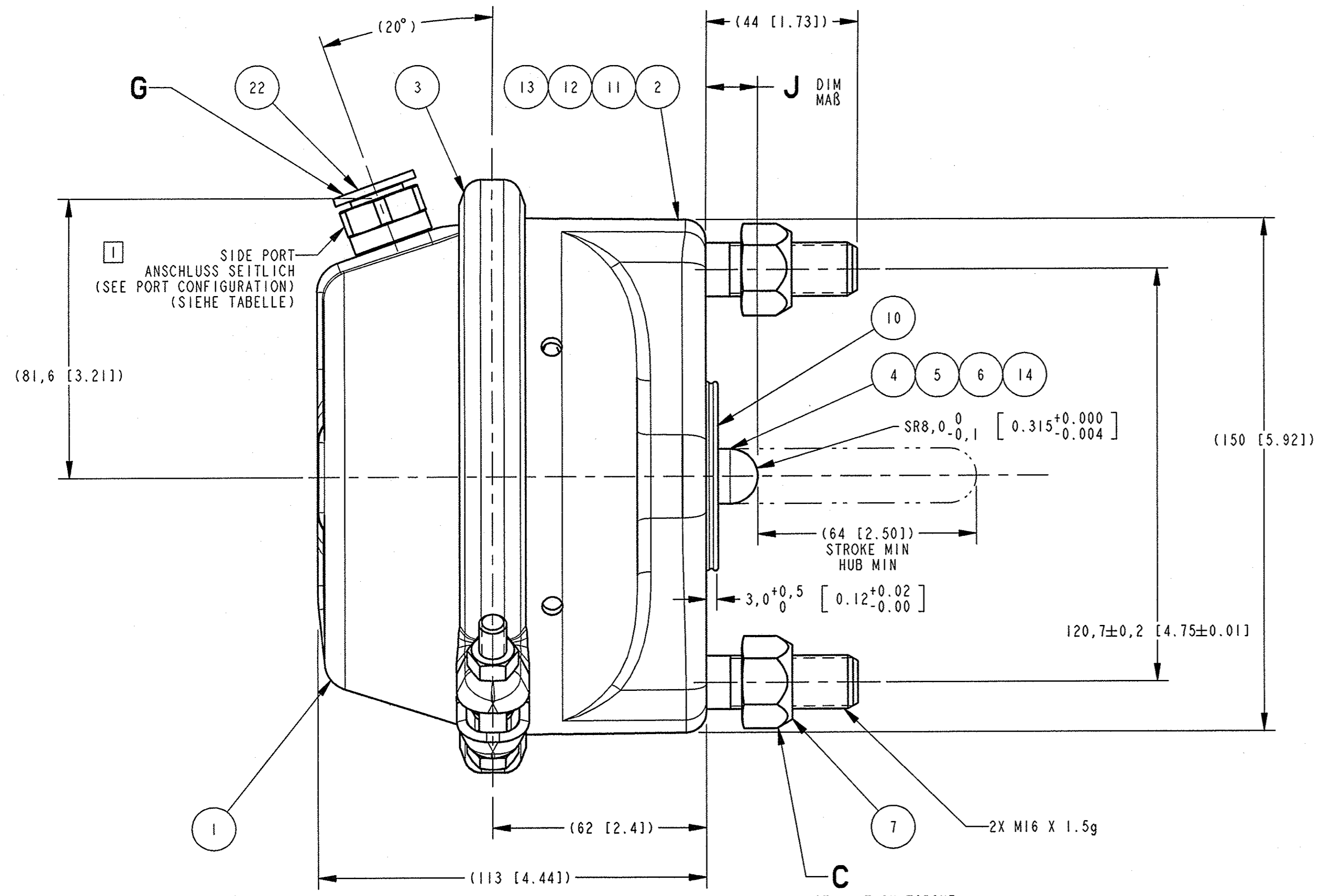


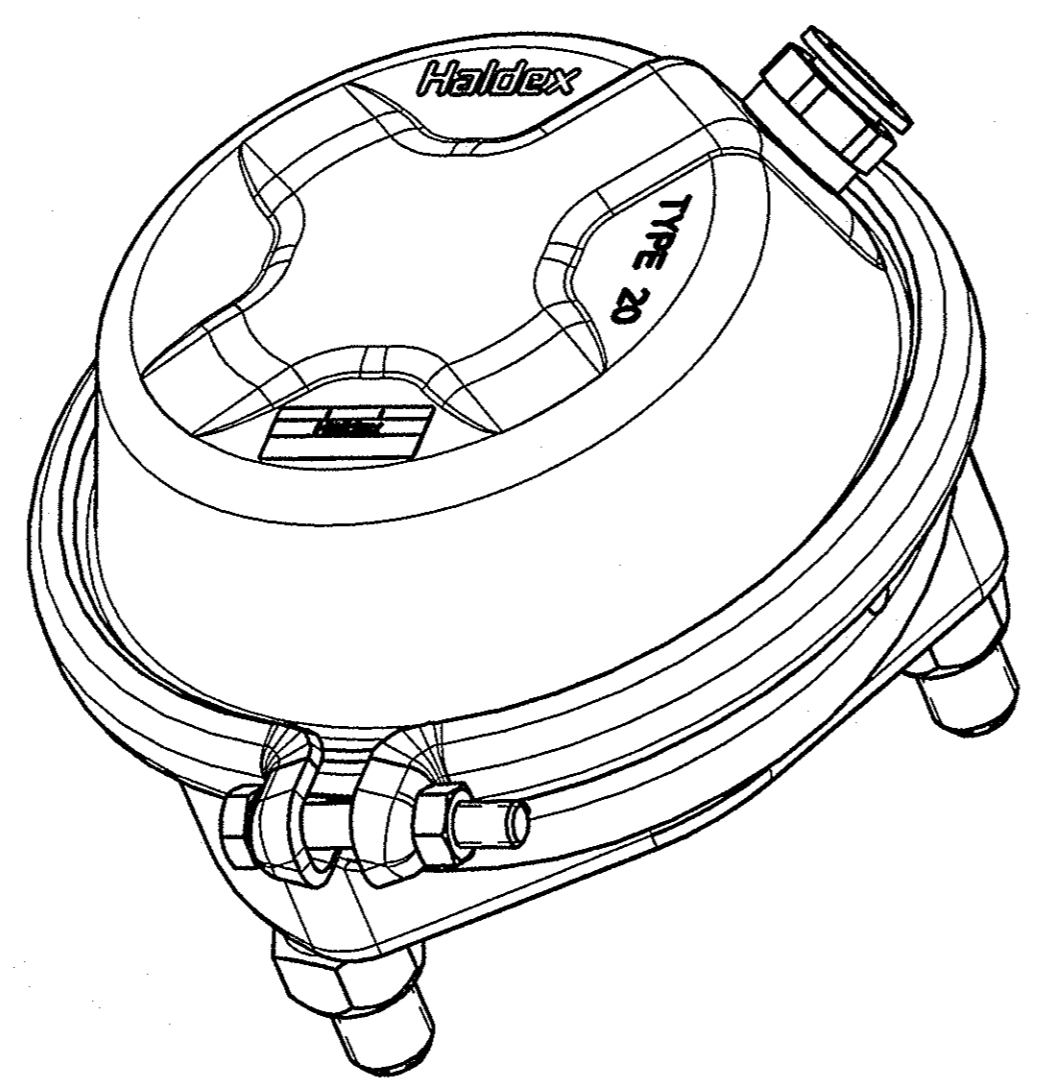
Let.	Revision	Date	Dr.	CK.	App.



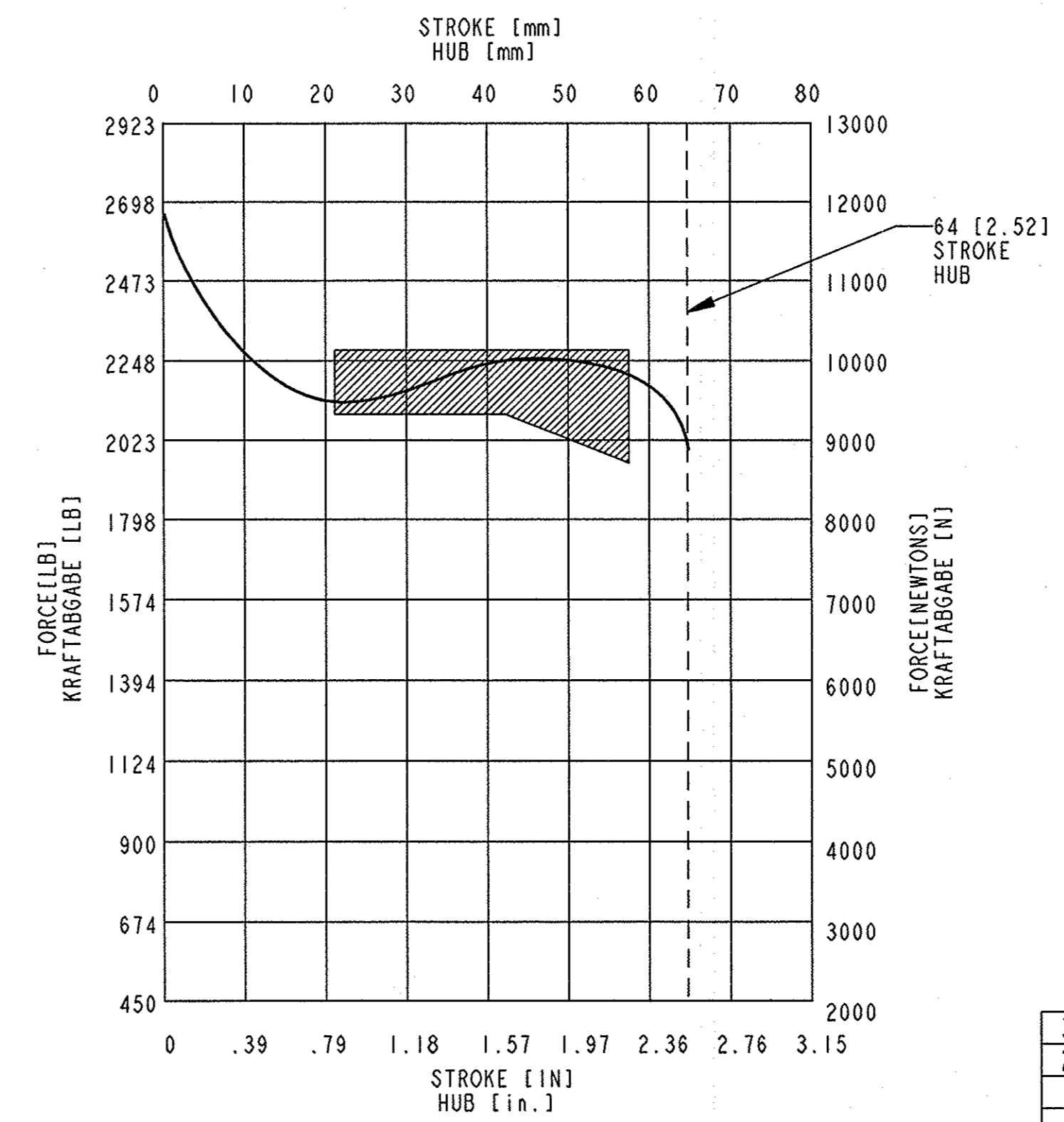
INSTALLATION TORQUE:  $180^{+30}_0$  N·m [133<sup>+22</sup> LB-FT]

GENERAL TOLERANCES ALLGEMEIN TOLERANZEN				
CLASS	THIS PART HEIR	NOMINAL DIMENSION RANGE (±)		
		≤ 50 [1.97]	> 50 [1.97] ≤ 150 [5.91]	> 150 [5.91] ≤ 400 [15.75]
A		0.5 [0.019]	1.0 [0.039]	1.5 [0.059]
B		1.0 [0.039]	2.0 [0.079]	3.0 [0.118]
C	X	2.0 [0.079]	3.5 [0.138]	5.0 [0.197]

TAPPED HOLES ACCORDING TO ISO 4039 / JED-152

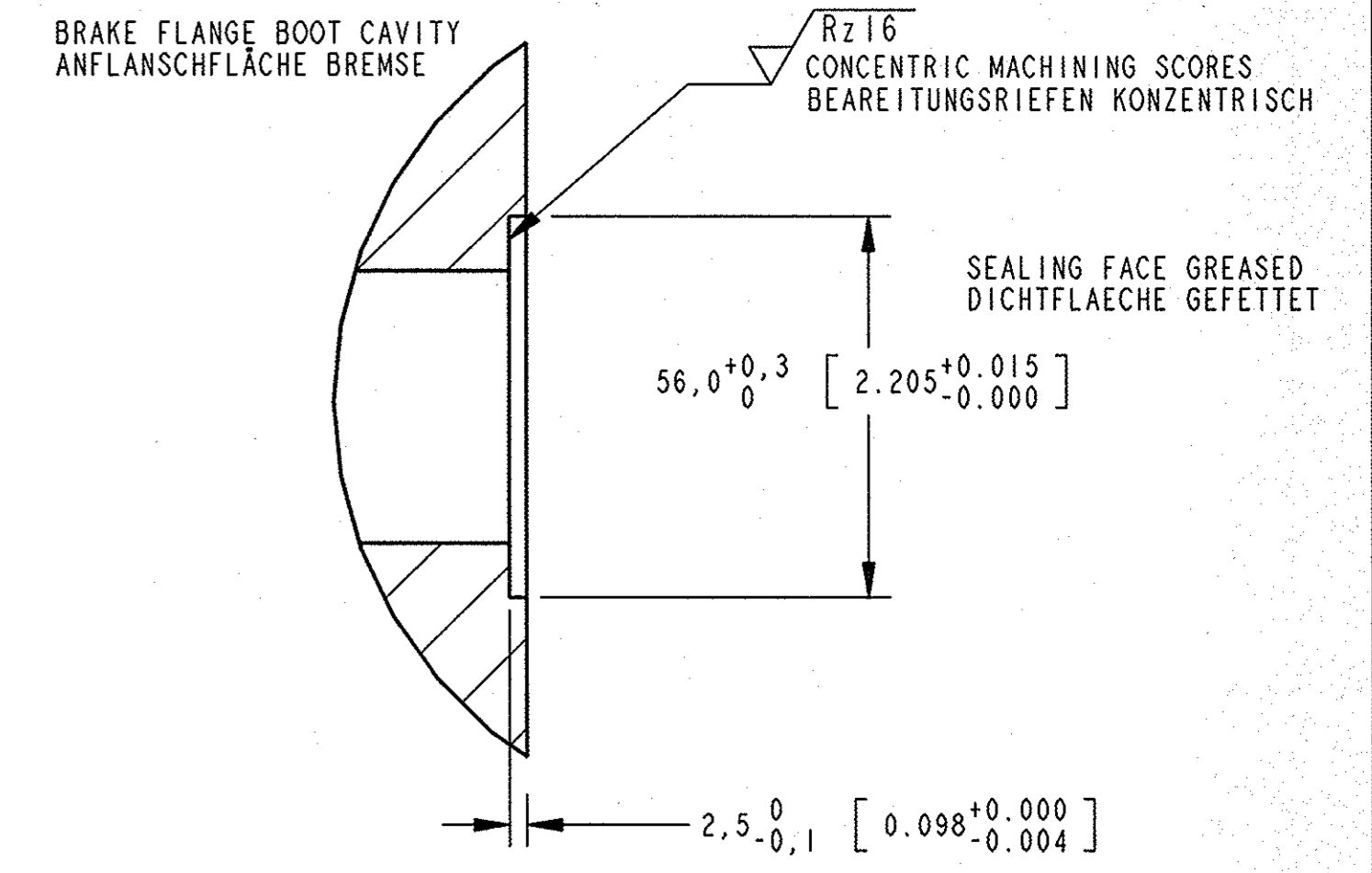


OUTPUT PERFORMANCE T-20  
KRAFTABGABE TYP 20



SERVICE CHAMBER PERFORMANCE TOLERANCE BAND  
(ACCORDING TO DIN 74060 -3) AT 6.5 BAR [94 PSIG]

KRAFTABGABE BBA BEI 6.5 BAR  
TOLERANZBAND GEMÄSS DIN 74060-3



GIGANT  
APPLICATION DRAWING  
EINBAU ZEICHNUNG

THIS DRAWING USES CLASSIFIED  
CHARACTERISTIC SYMBOLS DEFINED  
IN ENGINEERING PROCEDURE PRO-20

DIMENSIONS UNLESS OTHERWISE SPECIFIED CONFORM WITH ASME Y14.5M

THIS DRAWING CONTAINS CONFIDENTIAL PROPRIETARY INFORMATION OF HALDEX BRAKE PRODUCTS CORPORATION AND IS SUBJECT TO RETURN UPON REQUEST. THE FURNISHING OF THIS DRAWING IS NOT TO BE CONSTRUED AS THE GRANT OF ANY LICENSE, EITHER EXPRESS OR IMPLIED, TO MANUFACTURE, HAVE MANUFACTURED, USE OR SELL THE STRUCTURES SHOWN HEREON.

DRW DATE: 9/12/06 CN	SUPERSEDED BY	SUPERSEDED BY
Third Angle Projection	TOLERANCES Unless Otherwise Specified 1 <sup>st</sup> Place ± --- 2 <sup>nd</sup> Place ± --- 3 <sup>rd</sup> Place ± ---	Angular ± ---
MATERIAL	Material Approved	Weight
Drawn: A. BRADFORD	06-245	HALDEX
Checked: KMD	11-Sept-06	ASSEMBLY NAME: CHAM20 AIR
Approved: [Signature]	ASSEM NUMBER: 125200005	SERIES
Originality for: 9/12/06	Scale: NONE	GENERIC MODEL NO. 125200000

ITEM	DESCRIPTION
30	LABEL
22	SPT - PROTECTOR, PORT
14	SPRING, RETAINER
13	LOCATOR, SPRING
12	SPRING, RETURN
11	DIAPHRAGM T-20
10	BOOT
7	NUT, MOUNTING
6	WASHER, SHIM (0.5mm)
6	WASHER, SHIM (1.0mm)
5	ROD END
4	PUSHROD ASSY T-20
3	CLAMPBAND ASSY T-20
2	HOUSING, STUD T-20
1	HOUSING, PRESSURE T-20

PERFORMANCE CHARACTERISTICS CONFORM TO HALDEX PRODUCT STANDARD ESP-3014  
KRAFTABGABE MÄÙE HALDEX SPEZIFIKATION ESP-3014

DIMENSIONS IN [ ] ARE IN INCHES  
MÄÙE IN [ ] SIND INCHES

UNIT SHOWN IN BRAKE RELEASED POSITION  
ZYLINDER IN UNBETAETIGTER STELLUNG DARGESTELLT

MAXIMUM WORKING PRESSURE: 10.2 BAR [148 PSIG]  
BETRIEBSDRUCK:

SERVICE CHAMBER VOLUME: 1170 cc [71 cu in] MAX AT RATED STROKE  
MAX. ZYLINDERVOLUMEN: 1170 cm<sup>3</sup> BEI NORMALHUB

FORCE OUTPUT RETURN SPRING AT ZERO STROKE: 150±30 N [34±7 LB]  
KRAFTABGABE DER RUECKSTELLFEDER BEI 0-HUB:

1 PORT TORQUE: ANSCHLUSSMOMENT: 35-40 N·m [310-350 LB-IN]

2 MARK PART NUMBER AND DATE CODE OR ATTACH LABEL PER HALDEX SPEC ESD-3023-Y IN AREA SHOWN IM DARGESTELLTEN BEREICH BESTELL- NR. UND DATUMSCODE EINGEPRÄGT ODER TYPSCILD NACH HALDEX SPEZIFIKATION ESD-3023-Y ANGEBRACHT

125200005	M16 X 1.5 14 DEEP/TIEF	M16 X 1.5 14 DEEP/TIEF	WITHOUT OHNE	YES	15.0 [0.591]	315°	ZINC & (CLEAR OR BLUE) DICHROMATE	0°	R/
PART NUMBER	SIDE SEITLICH	CENTER ZENTRAL	C NUT QTY 2 REOD	G THREAD PROTECTOR GEWINDESCHUTZKAPPE	J DIM/MAB ±0.5 [0.20]	S ±3° CLAMPBAND SPANNBAND	CLAMPBAND NUT & BOLT FINISH SPANBAND OBERFLAECHENSCHUTZ DER SCHRAUBEN UND MUTTERN	T ±3° PORTS LUFTANSCHLUSS	REL
BESTELL-NR.	PORT SIZE ANSCHLUSS AUSFUEHRUNG		BEFESTIGUNGS MUTTER						