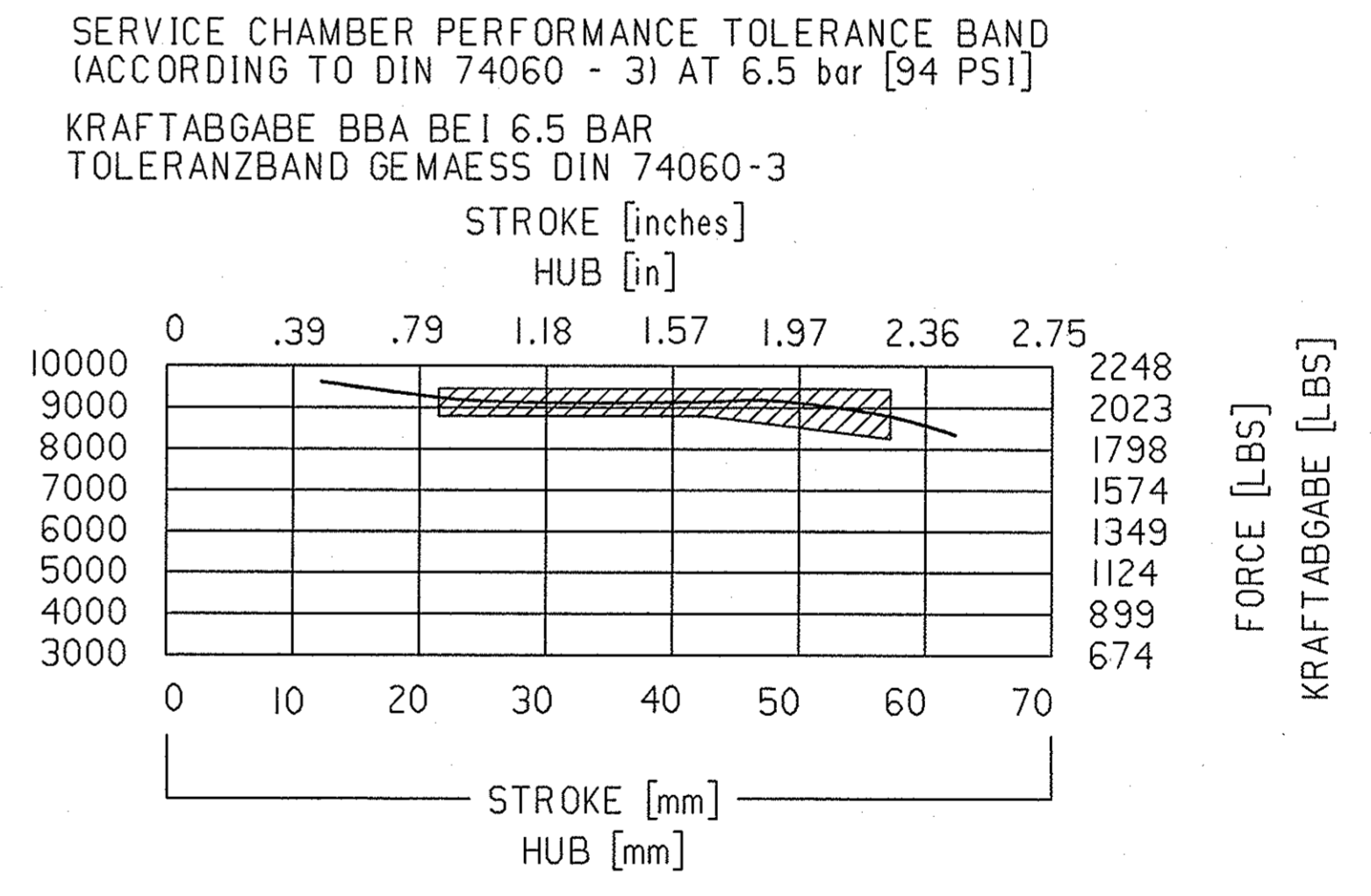
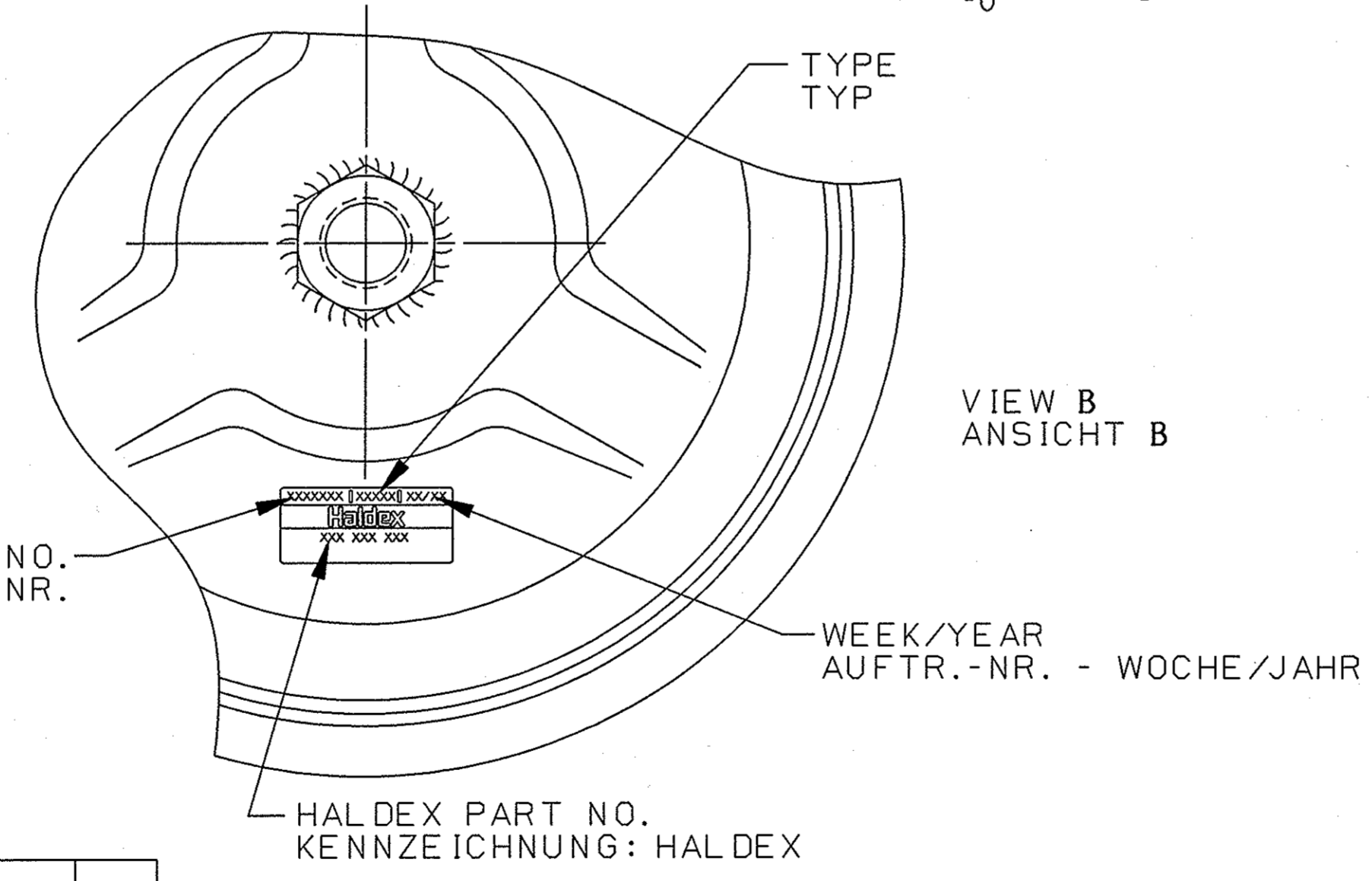
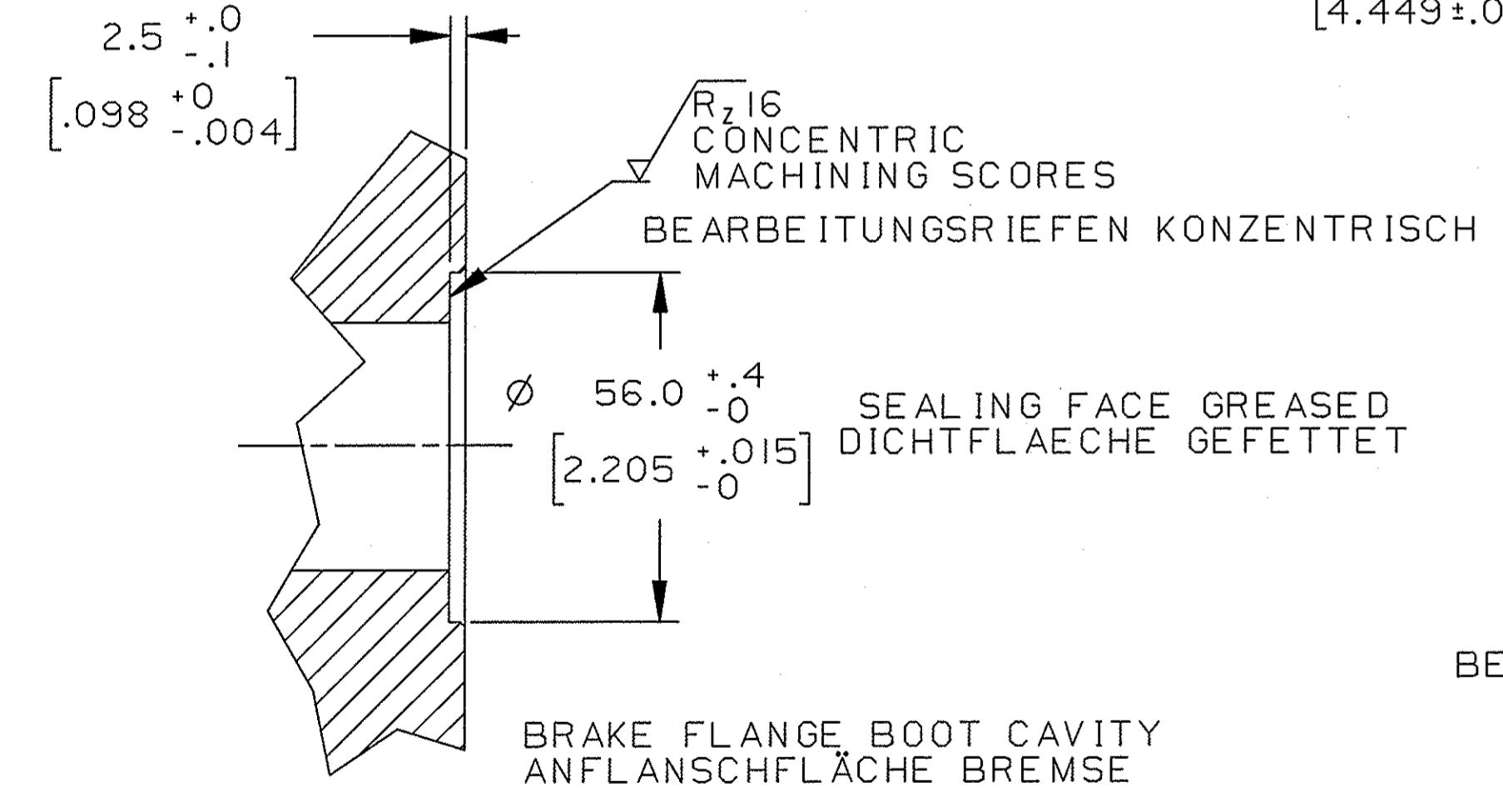
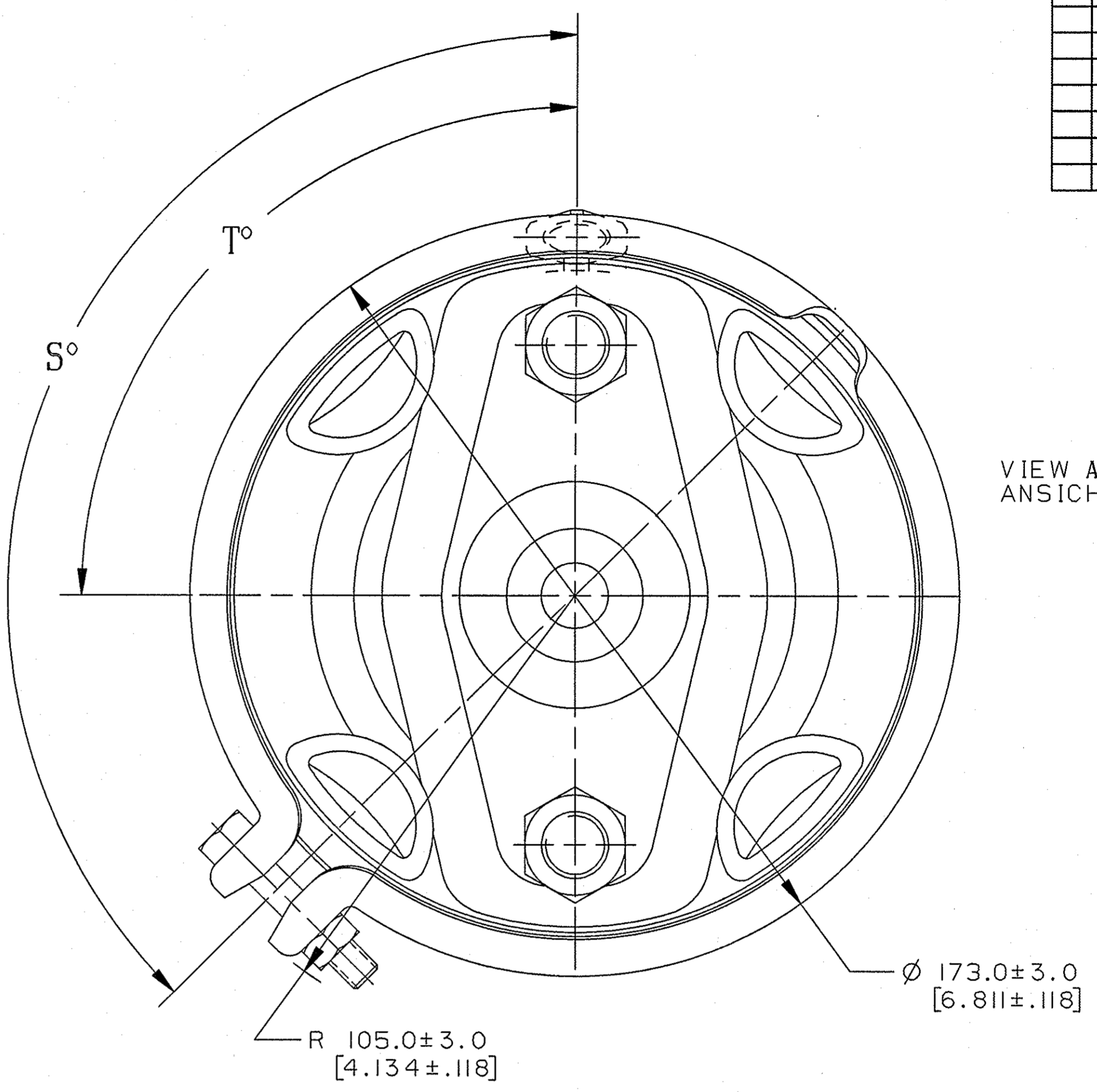
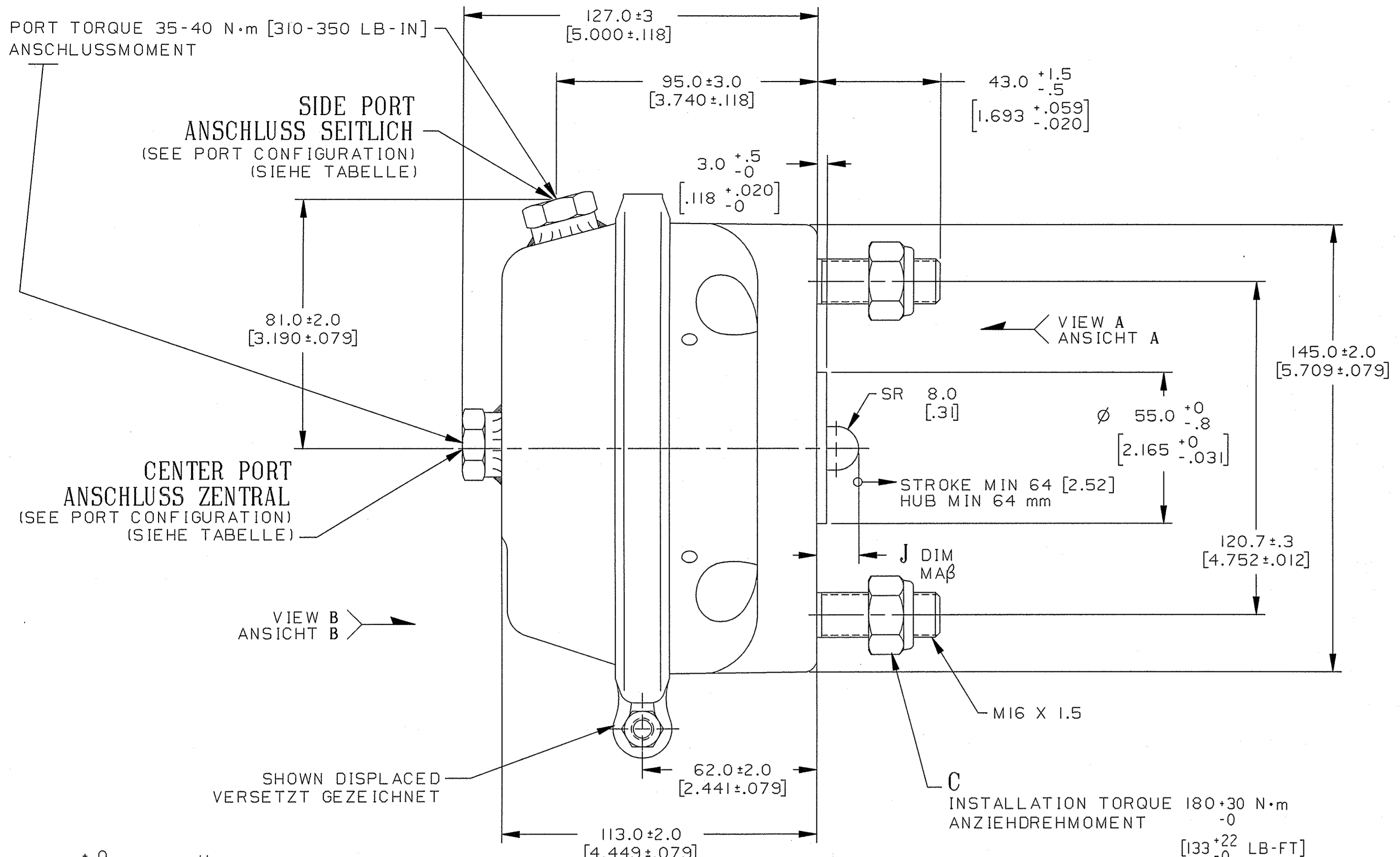


Let.	Revision	Date	Dr.	Ch.	App.
A	RVSD & UPD'D: REVISED HOUSINGS				
	PICTORIALLY	(02-191)	6/12/2002	MHB	JDT



APPLICATION DRAWING
EINBAU ZEICHNUNG

DIMENSIONS UNLESS OTHERWISE SPECIFIED CONFORM WITH ASME Y14.5M					
LR		DR			
CR		AR			
ER		PR	5-16-01		
SUPERSEDES			SUPERSEDED BY		
Third Angle Projection	TOLERANCES Unless Otherwise Specified	1 Piece ± .01	2 Piece ± .01	3 Piece ± .005	Dimensions in inches
	125/ Finish per ANSI B46.1	Angular ± 1°			DO NOT SCALE DRAWING
MATERIAL		Material Approved	Weight		
Drawn	MHB	01-106			
Checked	JDT				
Approved	BF				
Originally for					
Scale	NONE				
PART NUMBER		PART NAME		SERIES	
125 240 000		CHAM24 AIR APP		125 240 000	

PART NUMBER	SIDE SEITLICH	CENTER ZENTRAL	C	J	S	T	REL
BESTELL.-NR.	ANSCHLUSS AUSFUEHRUNG	ANSCHLUSS AUSFUEHRUNG	NUT QTY 2 BEFESTIGUNGS MUTTER	DIM/MAß ±0.5 [0.2]	CLAMPBAND SPANNBAND	PORTS ANSCHLUSS	
125 240 002		M16 X 1.5 14 DEEP/TIEF	WITHOUT OHNE	15.0 [591]	90°		R/
125 240 001	M16 X 1.5 14 DEEP/TIEF	M16 X 1.5 14 DEEP/TIEF	WITH MIT	15.0 [591]	315°	0°	R/

DIMENSIONS IN [] ARE INCHES
MAßE IN [] SIND INCHES

UNIT SHOWN IN BRAKE RELEASED POSITION
ZYLINDER IN UNBETAETIGTER STELLUNG DARGESTELLT

MAXIMUM WORKING PRESSURE: 1021 kPa [148 PSI]
BETRIEBSDRUCK MAX. 10.2 BAR

SERVICE CHAMBER VOLUME: 1230 cc [75 CU IN] MAX AT RATED STROKE
MAX. ZYLINDERVOLUMEN: 1230 cm³ BEI NOMINALHUB

FORCE OUTPUT RETURN SPRING AT ZERO STROKE 200⁺⁵⁰₋₀ N [45 lb]
KRAFTABGABE DER RUECKSTELLFEDER BEI 0-HUB 200⁺⁵⁰₋₀ N

SERIES
125 240 000