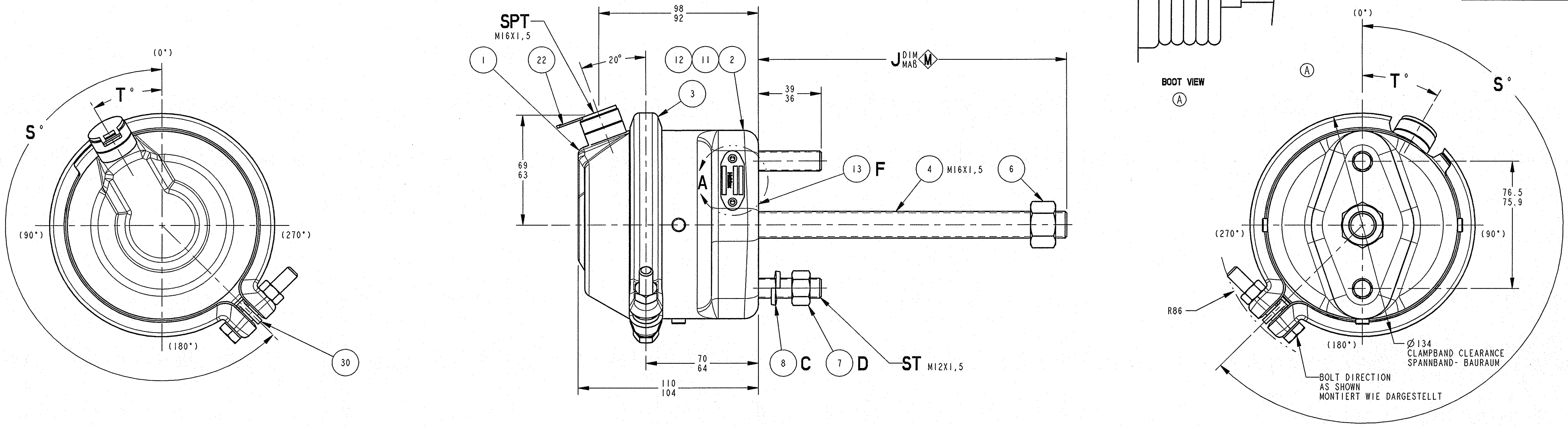


Let.	Revision	Date	Dr.	CK.	App.
A	ADDED: GERMAN; ITEM 10 (F); BOOT VIEW; TUV INFORMATION. REMOVED: ALL DRAIN HOLES PLUGGED NOTE. (08-324)	30-Jun-08	ACB	OK	BF



**APPLICATION DRAWING  
EINBAU ZEICHNUNG**

TORQUE TABLE TABELLE DER ANZIEHDREHMOMENTE	
ITEM	N·m
M12X1,5 MOUNTING NUTS BEFESTIGUNGSMUTTERN	70-80
M16X1,5 CLEVIS TO JAM NUT KONTERMUTTER AM GABELKOPF	80-110
M16X1,5 PORT FITTINGS ANSCHLUSSVERSCHRAUBUNG	40-50

GENERAL TOLERANCES ALLGEMEIN TOLERANZEN					
NOMINAL DIMENSION RANGE (±)					
CLASS	THIS PART	≤ 50 (1.97)	> 50 (1.97) & ≤ 150 (5.91)	> 150 (5.91) & ≤ 400 (15.75)	> 400 (15.75)
A		0,5 (0.019)	1,0 (0.039)	1,5 (0.059)	2,0 (0.079)
B	X	1,0 (0.039)	2,0 (0.079)	3,0 (0.118)	4,0 (0.157)
C		2,0 (0.079)	3,5 (0.138)	5,0 (0.197)	8,5 (0.256)

TAPPED HOLES ACCORDING TO ISO 4039 / JED-152

**M** = MAIN CHARACTERISTIC  
HAUPTMERKMAL

THERM. RANGE OF APPLICATION: -40°C to 80°C  
THERMISCHER ANWENDUNGSBEREICH

WITHIN THERMAL RANGE THE DIAPHRAGM WILL RETURN IN PRESSURELESS CONDITION INTO THE INITIAL POSITION

WORKING PRESSURE: 10 BAR MAX  
BETRIEBSDRUCK:

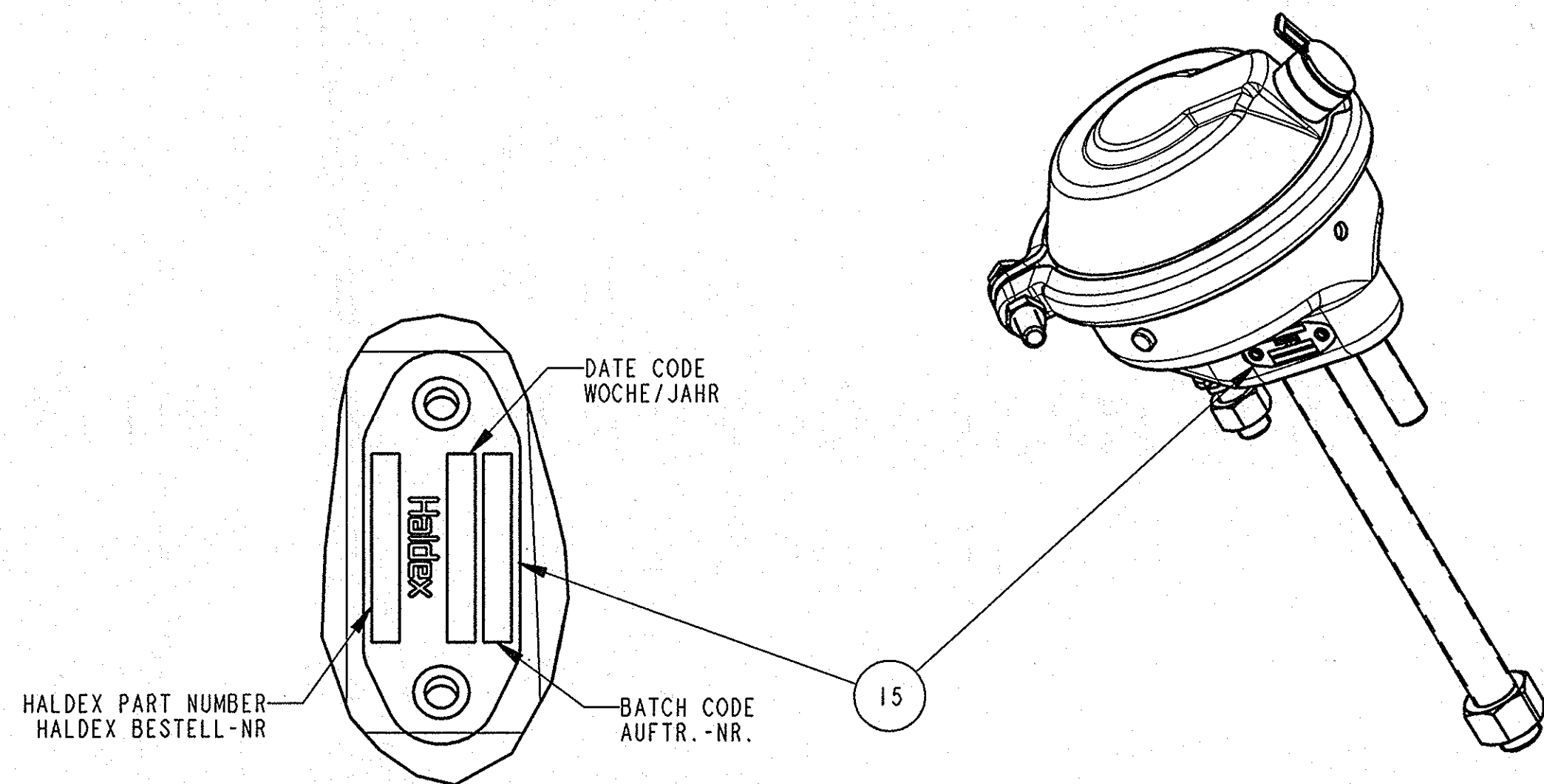
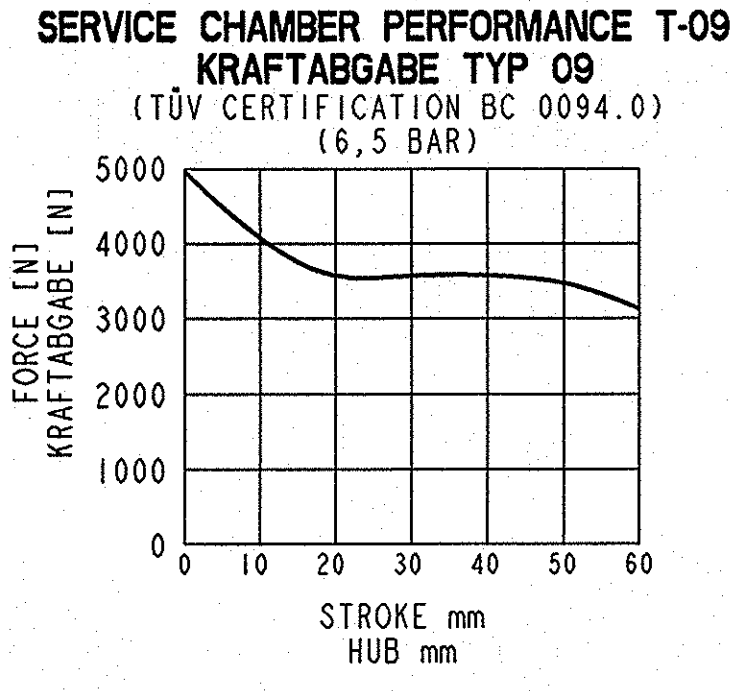
SHORT-TERM PRESSURE: 13 BAR MAX  
BETRIEBSDRUCK (KURZZEITIG):

MEDIUM: AIR / LUFT

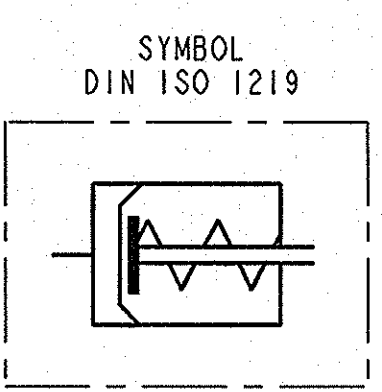
SWEPT VOLUME: 0,5 L  
MAX. ZYLINDERVOLUMEN:

MISALIGNMENT OF THE PUSHROD IN ANY POSITION 4°  
SCHWENKBEREICH DER DRUCKSTANGE ALLSEITIG 4°

UNIT SHOWN IN BRAKE RELEASED POSITION  
ZYLINDER IN UNBETAETIGTER STELLUNG DARGESTELLT



DETAIL A  
SCALE 2.0



THIS DRAWING USES CLASSIFIED CHARACTERISTIC SYMBOLS DEFINED IN ENGINEERING PROCEDURE PRO-20

DIMENSIONS UNLESS OTHERWISE SPECIFIED CONFORM WITH ASME Y14.5M		
30	RETAINER	THIS DRAWING CONTAINS CONFIDENTIAL PROPRIETARY INFORMATION OF HALDEX BRAKE PRODUCTS CORPORATION AND IS SUBJECT TO RETURN UPON REQUEST. THE FURNISHING OF THIS DRAWING IS NOT TO BE CONSTRUED AS THE GRANT OF ANY LICENSE, EITHER EXPRESS OR IMPLIED, TO MANUFACTURE, HAVE MANUFACTURED, USE OR SELL THE STRUCTURES SHOWN HEREON.
22	PROTECTOR, PORT	
15	LABEL	EDR Date: 7/9/08 CVW
13	SHIELD, DUST	SUPERSEDED BY
12	SPRING, RETURN	Third Angle Projection
11	DIAPHRAM	TOLERANCES Unless Otherwise Specified
10	BOOT	1 Place ± ---
8	WASHER	2 Place ± ---
7	NUT, MOUNTING	3 Place ± ---
6	NUT, MOUNTING	Angular ± ---
4	PUSHROD ASSY	DO NOT SCALE DRAWING
3	CLAMPBAND ASSY	Material Approved
2	HOUSING ASSY, STUD	Weight
1	HOUSING ASSY, PRESSURE	4.4 lb
ITEM	DESCRIPTION	2.0 kg

123090001	WITH MIT	WITH MIT	SHIELD DICHTSCHEIBE	185	225°	0°	123090001	R/
PART NUMBER BESTELL-NR.	<b>C</b> WASHER, LOCK SCHEIBE QTY 2	<b>D</b> NUT, MOUNTING BEFESTIGUNGS MUTTER QTY 2	<b>F</b> DUST BOOT/SHIELD BALG DICHTSCHEIBE	<b>J DIM MAB ±3</b>	<b>S ±5°</b> CLAMPBAND SPANNBAND	<b>T ±5°</b> PORTS ANSCHLUSS	PART NUMBER BESTELL-NR.	<b>R E L</b>

123090001

123090001