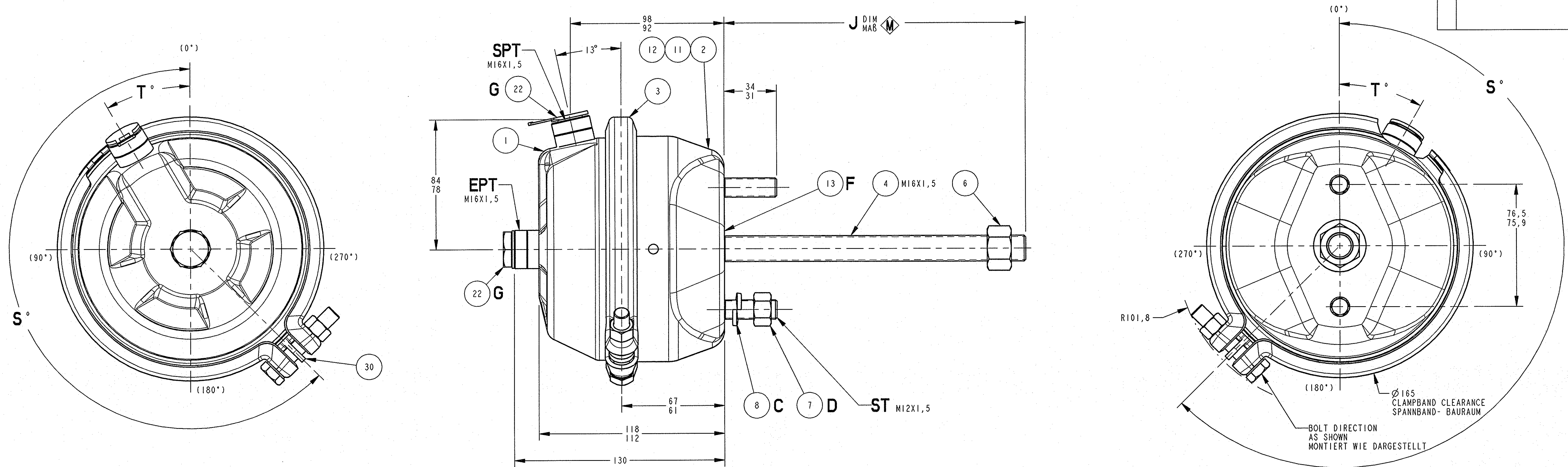


Let.	Revision	Date	Dr.	CK.	App.
A	ADDED: GERMAN TUV INFORMATION. CHANGED: RATED STROKE TO 80mm FROM 75mm TO MATCH TUV CERTIFICATION. (08-324)	09-Jul-08	ACB	JFC	BF



APPLICATION DRAWING EINBAU ZEICHNUNG

TORQUE TABLE TABELLE DER ANZIEHDREHMOMENTE	
ITEM	N·m
M12x1,5 MOUNTING NUTS BEFESTIGUNGSMUTTERN	70-80
M16x1,5 CLEVIS TO JAM NUT KONTERMUTTER AM GABELKOPF	80-110
M16x1,5 PORT FITTINGS ANSCHLUSSVERSCHRAUBUNG	40-50

GENERAL TOLERANCES ALLGEMEIN TOLERANZEN					
NOMINAL DIMENSION RANGE (±)					
ABMESSUNGEN VON-BIS					
CLASS	THIS PART	E 50 [1.97]	> 50 [1.97]	> 150 [5.91]	> 400 [15.75]
	HEIR	E 150 [5.91]	E 400 [15.75]	E 1000 [39.37]	E 2000 [78.74]
A		0,5 [0.019]	1,0 [0.039]	1,5 [0.059]	2,0 [0.079]
B	X	1,0 [0.039]	2,0 [0.079]	3,0 [0.118]	4,0 [0.157]
C		2,0 [0.079]	3,5 [0.138]	5,0 [0.197]	6,5 [0.256]

TAPPED HOLES ACCORDING TO ISO 4039 / JED-152

M = MAIN CHARACTERISTIC
HAUPTMERKMAL

THERM. RANGE OF APPLICATION:
THERMISCHER ANWENDUNGSBEREICH -40°C to 80°C

WITHIN THERMAL RANGE THE DIAPHRAGM WILL RETURN IN PRESSURELESS CONDITION INTO THE INITIAL POSITION

WORKING PRESSURE: 10 BAR MAX
BETRIEBSDRUCK:

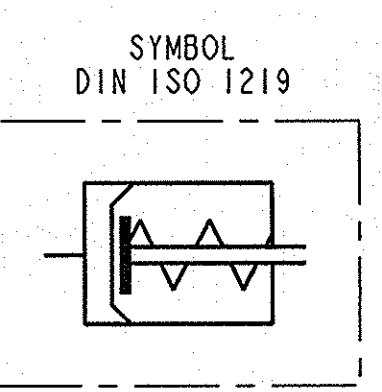
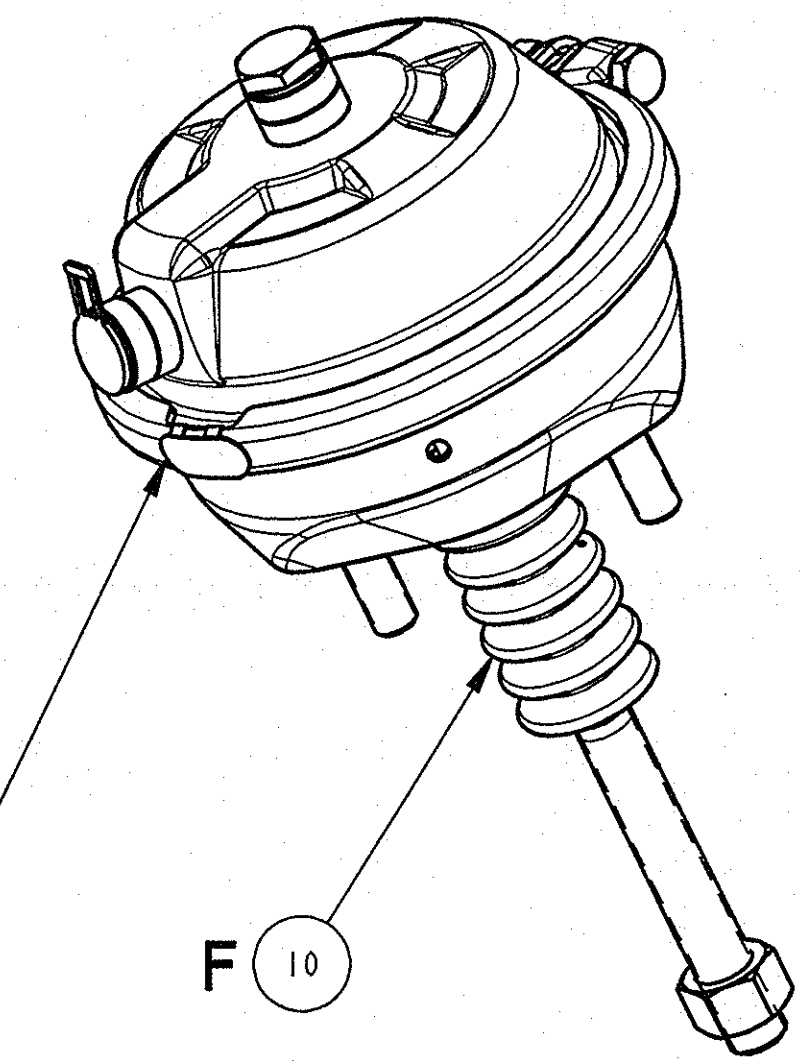
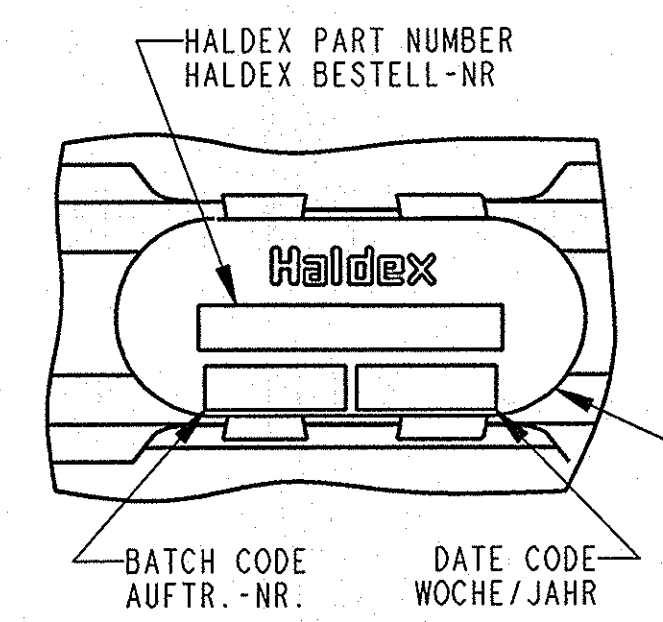
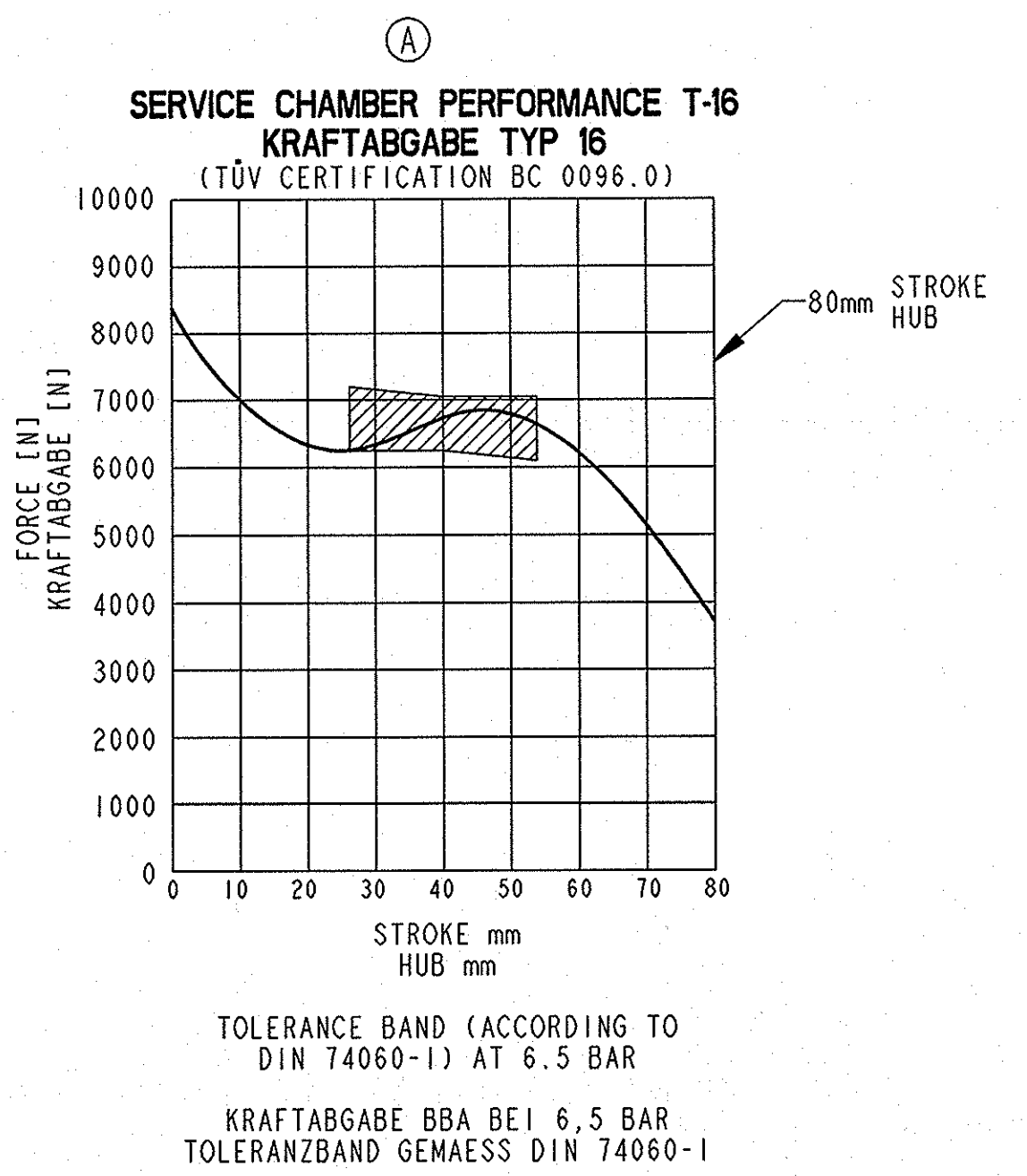
SHORT-TERM PRESSURE
BETRIEBSDRUCK (KURZZEITIG): 13 BAR MAX

MEDIUM: AIR
LUFT

SWEPT VOLUME:
MAX. ZYLINDERVOLUMEN: 1,0L

MISALIGNMENT OF THE PUSHROD IN ANY POSITION 4°
SCHWENKBEREICH DER DRUCKSTANGE ALLSEITIG 4°

UNIT SHOWN IN BRAKE RELEASED POSITION
ZYLINDER IN UNBETAETIGTER STELLUNG DARGESTELLT



THIS DRAWING USES CLASSIFIED CHARACTERISTIC SYMBOLS DEFINED IN ENGINEERING PROCEDURE PRO-20

DIMENSIONS UNLESS OTHERWISE SPECIFIED CONFORM WITH ASME Y14.5M	
30	RETAINER
22	PLUG, PORT
15	LABEL
13	SHIELD, DUST
12	SPRING, RETURN
11	DIAPHRAM
10	BOOT
8	WASHER
7	NUT, MOUNTING
6	NUT
4	PUSHROD ASSY
3	CLAMPBAND ASSY
2	HOUSING ASSY, STUD
1	HOUSING ASSY, PRESSURE

EDR Date: 7/9/08 CW

SUPERSEDES: 08-176

26-Mar-08

4-Apr-08

4-Apr-08

ASSEM NAME: CHAMBER T-16, 80mm STK

ASSEM NUMBER: 123160001

SCALE: NONE

GENERIC MODEL NO.: 123160000.GENERIC

PART NUMBER BESTELL-NR.	C WASHER, FLAT SCHEIBE QTY 2	D LOCK NUT, HEX BEFESTIGUNGS MUTTER QTY 2	F DUST BOOT/SHIELD BALG DICHTSCHEIBE	EPT PROTECTOR / GEWINDESCHUTZKAPPE	SPT PLUG, PORT VERSCHLUSS-SCHRAUBE	J DIM MAB ±3	S ±5° CLAMPBAND SPANNBAND	T ±5° PORTS ANSCHLUSS	R/ E L
123160002	WITH MIT	WITH MIT	BOOT BALG	PLUG VERSCHLUSS-SCHRAUBE	WITHOUT OHNE	186	225°	0°	R/
123160001	WITH MIT	WITH MIT	SHIELD DICHTSCHEIBE	PLUG VERSCHLUSS-SCHRAUBE	WITHOUT OHNE	186	225°	0°	R/