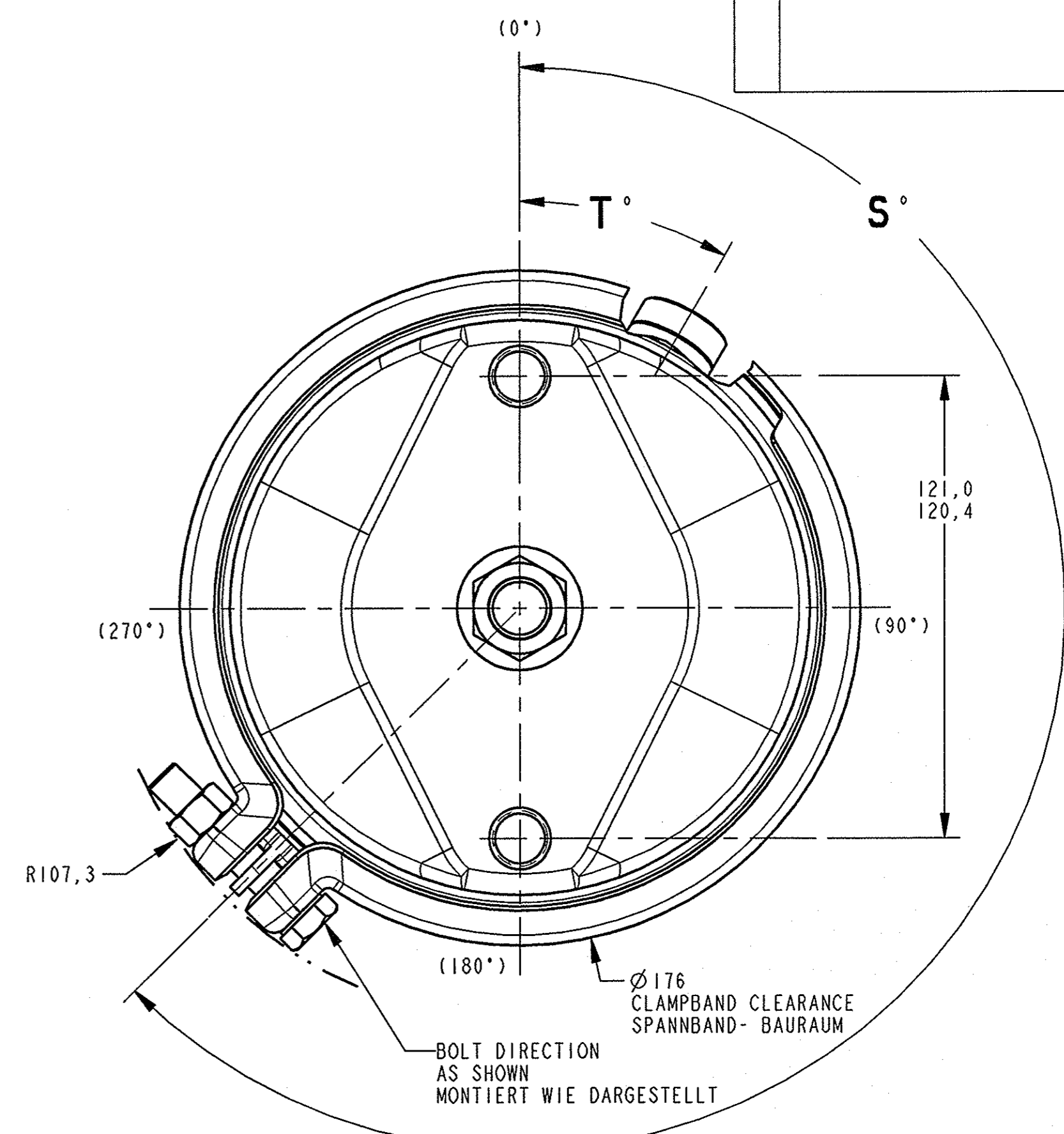
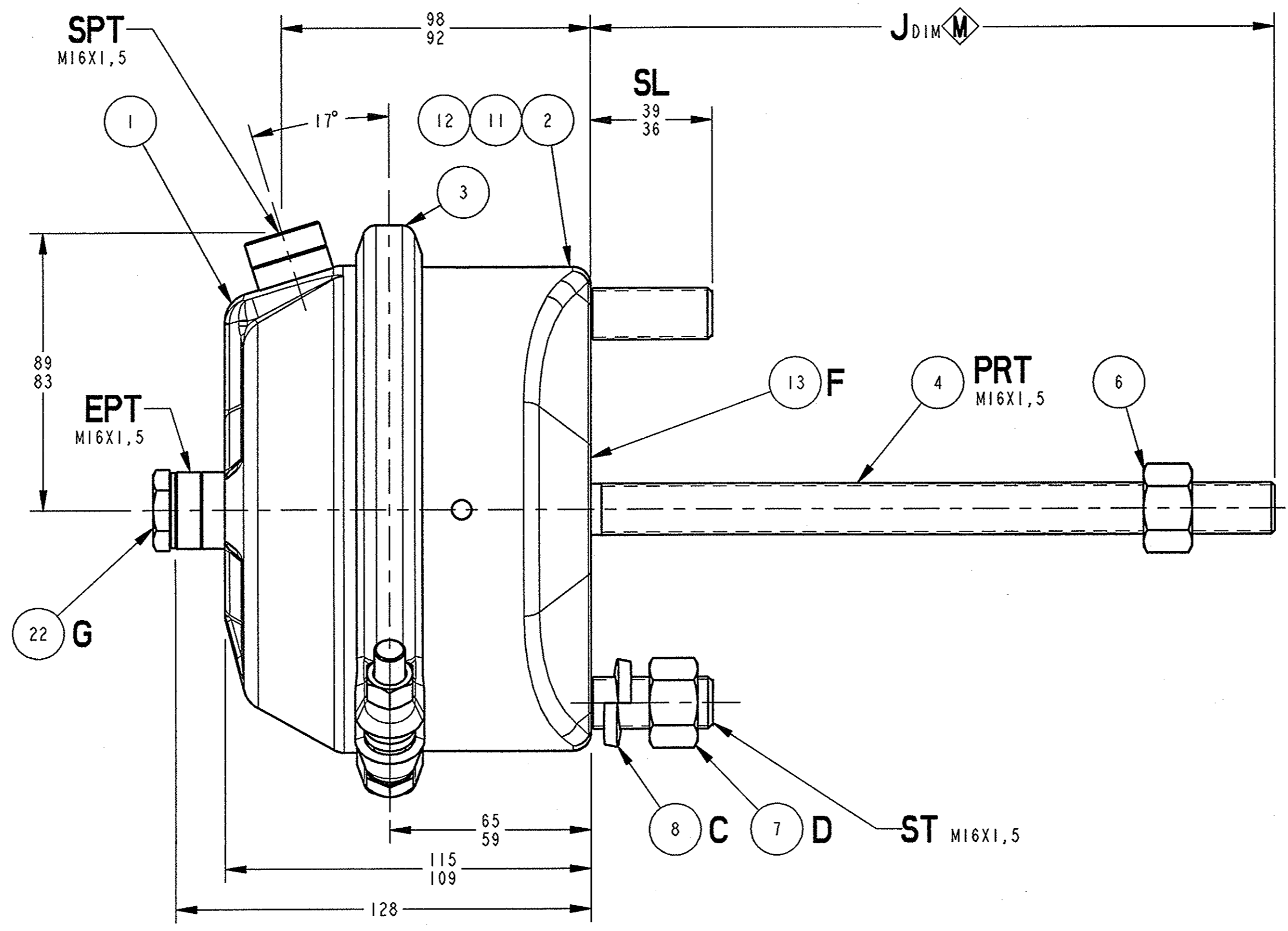
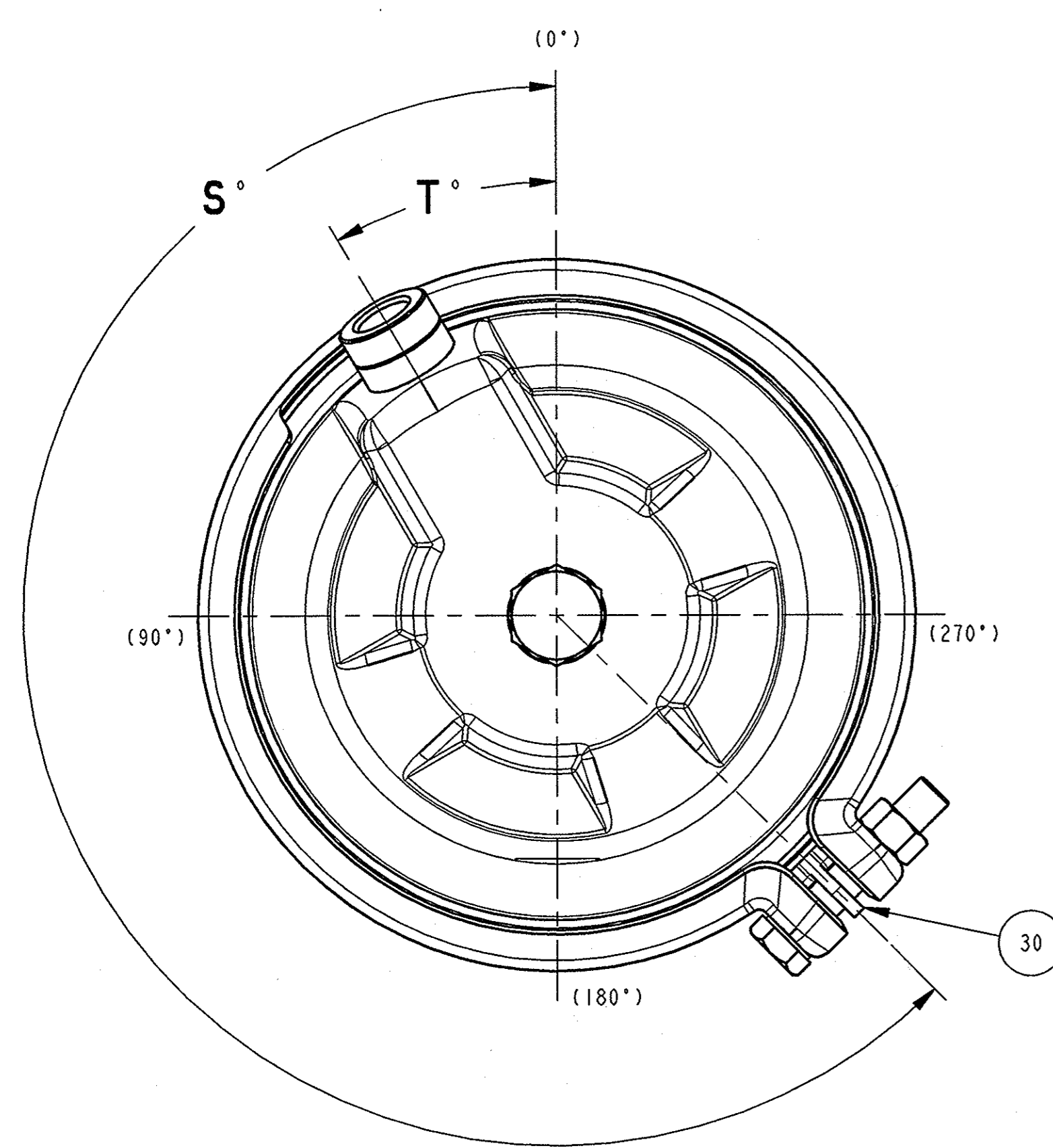


Ref.	Revision	Date	Dr.	CK.	App.
A	ADDED: GERMAN TUV INFORMATION. CHANGED: RATED STROKE TO 76mm FROM 75mm TO MATCH TUV CERTIFICATION. (08-325)	14-Jul-08	ACB		



APPLICATION DRAWING EINBAU ZEICHNUNG

M = MAIN CHARACTERISTIC HAUPTMERKMAL

THERM. RANGE OF APPLICATION: THERMISCHER ANWENDUNGSBEREICH -40°C to 80°C

WITHIN THERMAL RANGE THE DIAPHRAGM WILL RETURN IN PRESSURELESS CONDITION INTO THE INITIAL POSITION

WORKING PRESSURE: BETRIEBSDRUCK: 10 BAR MAX

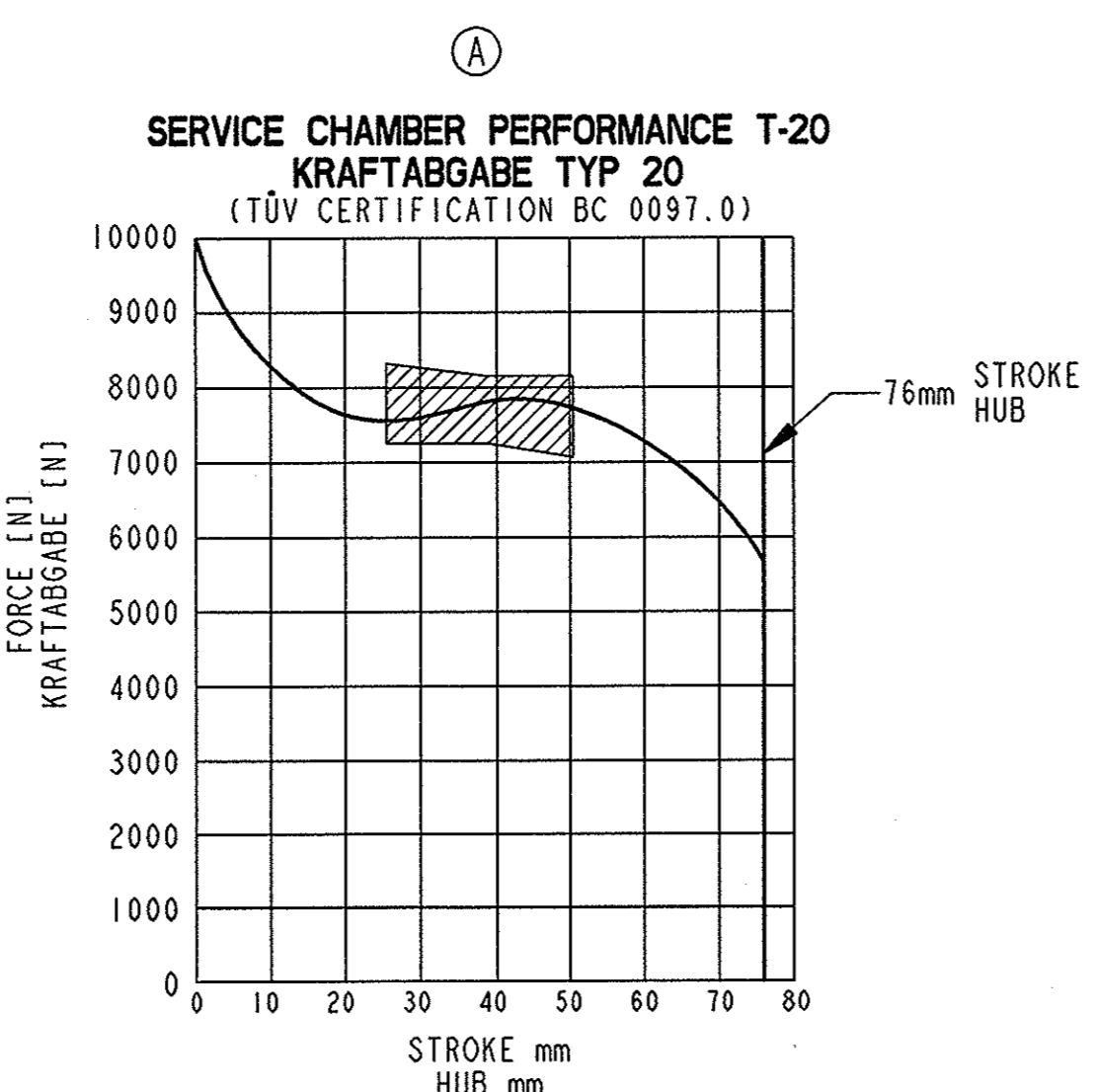
SHORT-TERM PRESSURE BETRIEBSDRUCK (KURZZEITIG): 13 BAR MAX

MEDIUM: AIR LUFT

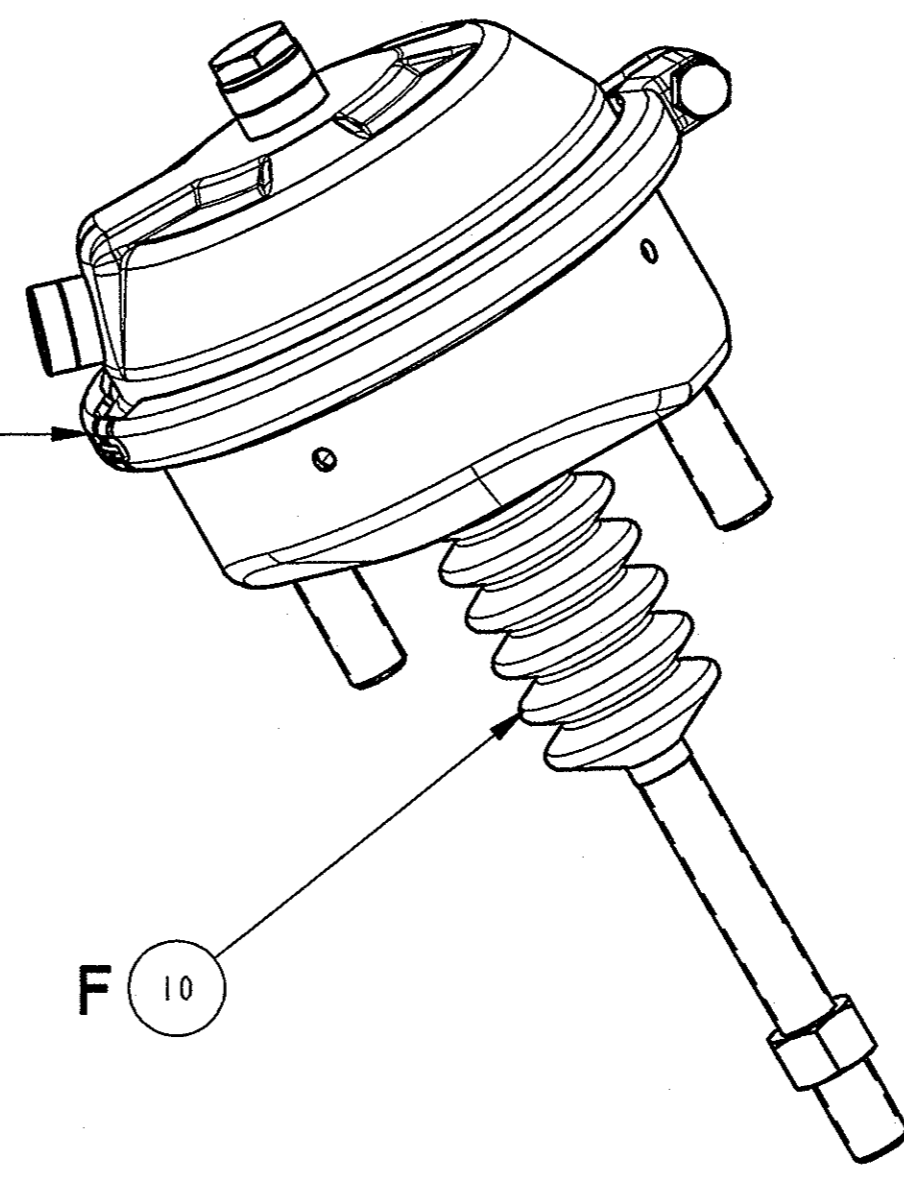
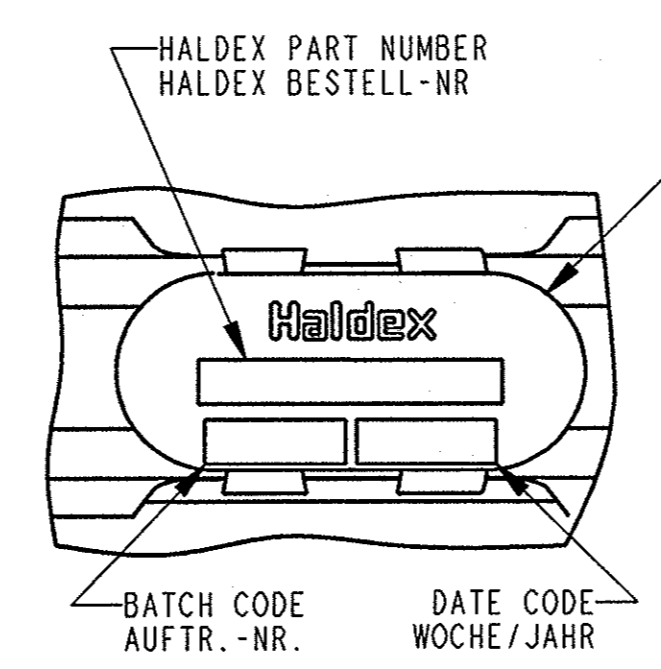
SWEPT VOLUME: MAX. ZYLINDERVOLUMEN: 1,3L

MISALIGNMENT OF THE PUSHROD IN ANY POSITION 4° SCHWENKBEREICH DER DRUCKSTANGE ALLSEITIG 4°

UNIT SHOWN IN BRAKE RELEASED POSITION ZYLINDER IN UNBETAETIGTER STELLUNG DARGESTELLT



TOLERANCE BAND (ACCORDING TO DIN 74060-1) AT 6.5 BAR
KRAFTABGABE BBA BEI 6.5 BAR
TOLERANZBAND GEMAESS DIN 74060-1



TORQUE TABLE TABELLE DER ANZIEHDREHMOMENTE	
ITEM	N·m
M16X1,5 MOUNTING NUTS BEFESTIGUNGSMUTTERN	180-210
M16X1,5 CLEVIS TO JAM NUT KONTERMUTTER AM GABELKOPF	80-110
M16X1,5 PORT FITTINGS ANSCHLUSSVERSCHRAUBUNG	40-50

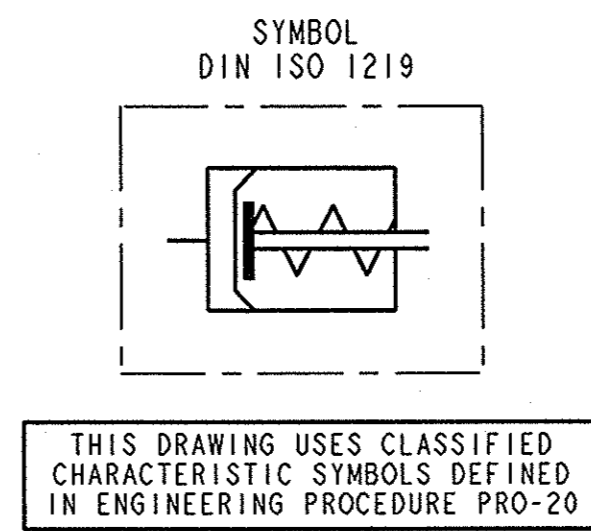
GENERAL TOLERANCES ALLGEMEIN TOLERANZEN					
NOMINAL DIMENSION RANGE (±) ABMESSUNGEN VON-BIS					
CLASS	THIS PART HEIR	≤ 50 [1.97]	> 50 [1.97]	> 150 [5.91]	> 400 [15.75]
A		0,5 [0.019]	1,0 [0.039]	1,5 [0.059]	2,0 [0.079]
B	X	1,0 [0.039]	2,0 [0.079]	3,0 [0.118]	4,0 [0.157]
C		2,0 [0.079]	3,5 [0.138]	5,0 [0.197]	6,5 [0.256]

TAPPED HOLES ACCORDING TO ISO 4039 / JED-152

DIMENSIONS UNLESS OTHERWISE SPECIFIED CONFORM WITH ASME Y14.5M

30	RETAINER	THIS DRAWING CONTAINS CONFIDENTIAL PROPRIETARY INFORMATION OF HALDEX BRAKE PRODUCTS CORPORATION AND IS SUBJECT TO RETURN UPON REQUEST. THE FURNISHING OF THIS DRAWING IS NOT TO BE CONSTRUED AS THE GRANT OF ANY LICENSE, EITHER EXPRESS OR IMPLIED, TO MANUFACTURE, HAVE MANUFACTURED, USE OR SELL THE STRUCTURES SHOWN HEREON.
22	PLUG/PROTECTOR, PORT	
15	LABEL	
13	SHIELD, DUST	
12	SPRING, RETURN	
11	DIAPHRAGM	
10	BOOT	
8	WASHER	
7	NUT, MOUNTING	
6	NUT	
4	PUSHROD ASSY	TOLERANCES Unless Otherwise Specified 12/5 Finish per ANSI B46.1 Dimensions in inches mm <input type="checkbox"/> <input checked="" type="checkbox"/> DO NOT SCALE DRAWING
3	CLAMPBAND ASSY	MATERIAL Material Approved Weight 3.2 kg
2	HOUSING ASSY, STUD	7/14/2008 CW SUPERSEDED BY Third Angle Projection 4-Apr-08 4-Apr-08 4-Apr-08 4-Apr-08
1	HOUSING ASSY, PRESSURE	ASSEMBLY NAME: CHAM20 AIR ASSEMBLY NUMBER: CHAMBER T-20, 76mm STK SERIES: 123200001
ITEM	DESCRIPTION	Scale: NONE GENERIC MODEL NO.: 123200000.GENERIC

123200003	WITH MIT	WITH MIT	SHIELD DICHTSCHEIBE	210	225°	0°	PLUG VERSCHLUSS-SCHRAUBE	WITHOUT OHNE	123200003	R /
123200002	WITH MIT	WITH MIT	BOOT BALG	186	225°	0°	PLUG VERSCHLUSS-SCHRAUBE	WITHOUT OHNE	123200002	R /
123200001	WITH MIT	WITH MIT	SHIELD DICHTSCHEIBE	186	225°	0°	PLUG VERSCHLUSS-SCHRAUBE	WITHOUT OHNE	123200001	R /
PART NUMBER BESTELL-NR.	C WASHER, LOCK SCHEIBE QTY 2	D NUT, MOUNTING BEFESTIGUNGS MUTTER QTY 2	F DUST BOOT/SHIELD BALG DICHTSCHEIBE	J DIM/MAB ±3	S ±5° CLAMPBAND SPANNBAND	T ±5° PORTS ANSCHLUSS	EPT	SPT	PART NUMBER BESTELL-NR.	R /
							G PROTECTOR / PLUG, PORT GEWINDESCHUTZKAPPE / VERSCHLUSS-SCHRAUBE			



SCALE NUMBER 123200001