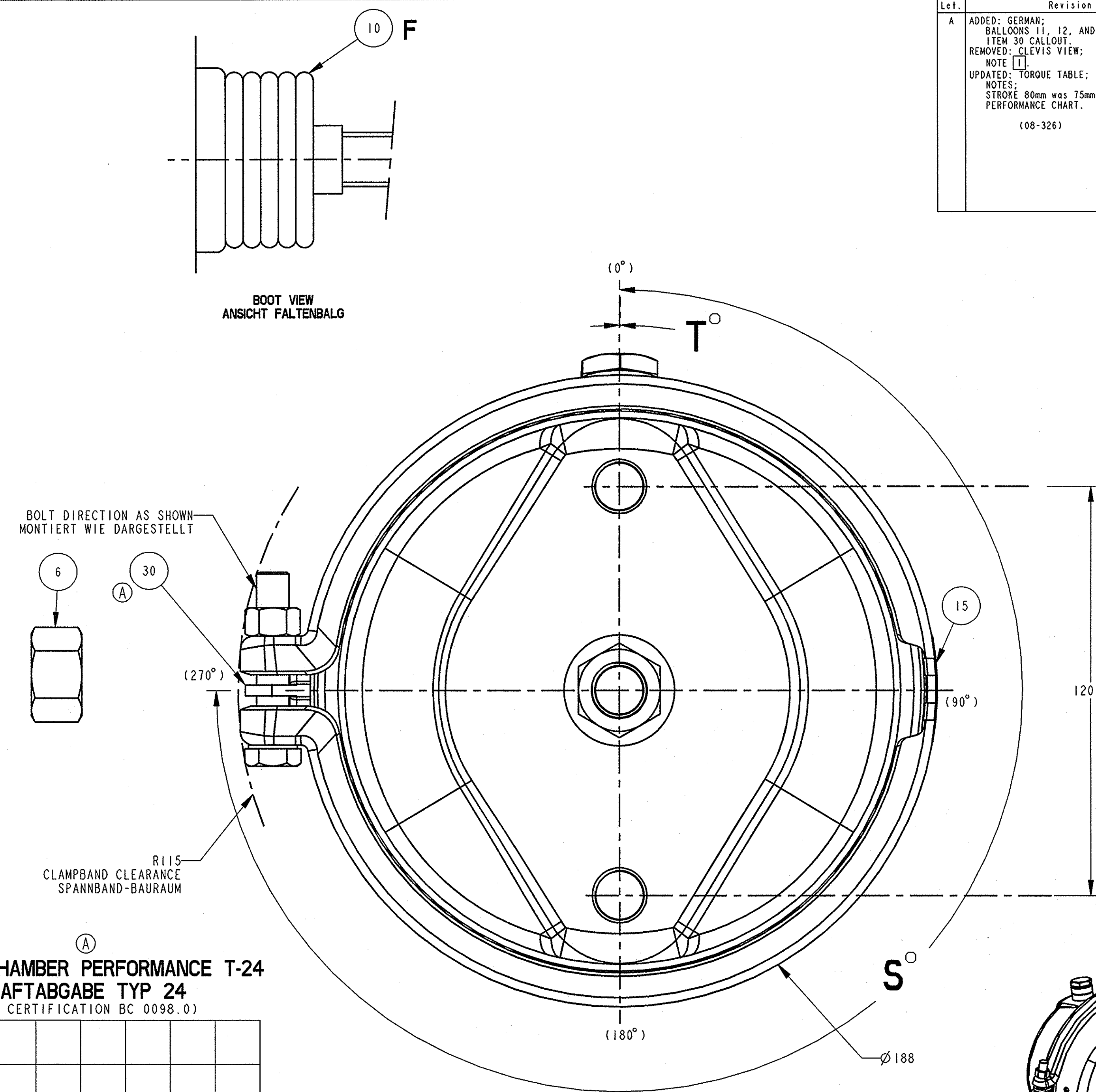
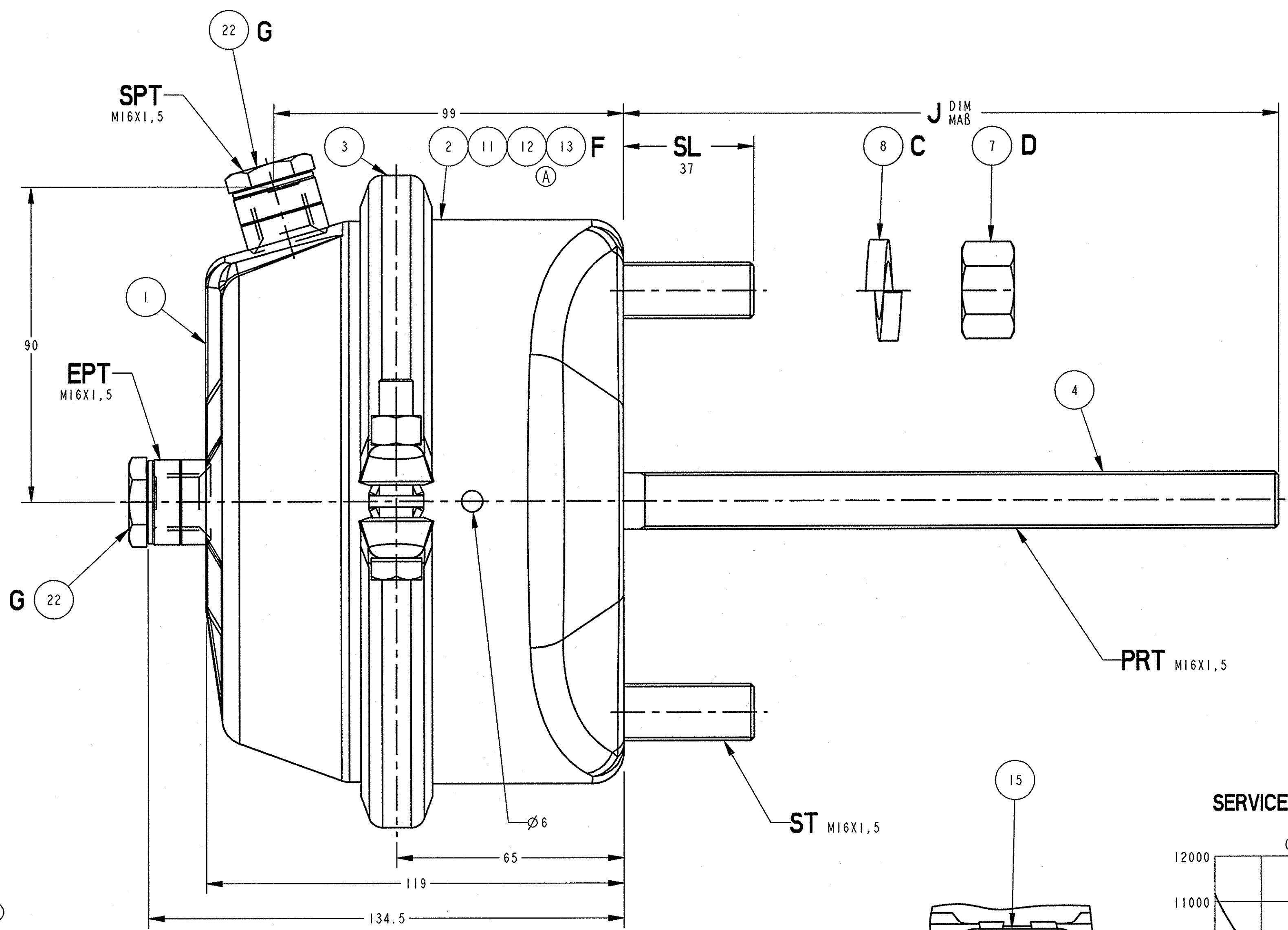


Let.	Revision	Date	Dr.	CK.	App.
A	ADDED: GERMAN; BALLOONS 11, 12, AND 30; ITEM 30 CALLOUT; REMOVED: CLEVIS VIEW; NOTE [1]; UPDATED: TORQUE TABLE; NOTES: STROKE 80mm was 75mm; PERFORMANCE CHART. (08-326)	14-Jul-08	ACB		BF



M MAIN CHARACTERISTIC HAUPTMERKMAL

Therm. range of application: -40°C to 80°C
THERMISCHER ANWENDUNGSBEREICH

WITHIN THERMAL RANGE THE DIAPHRAGM WILL RETURN IN PRESSURELESS CONDITION INTO THE INITIAL POSITION IM THERMISCHEN ANWENDUNGSBEREICH GEHT DIE MEMBRANE IN DRUCKLOSEN ZUSTAND IN DIE AUSGANGSLAGE ZURÜCK

WORKING PRESSURE: 10 BAR MAX
BETRIEBSDRUCK:

SHORT-TERM PRESSURE BETRIEBSDRUCK (KURZZEITIG): 13 BAR MAX

MEDIUM: AIR LUFT

SWEPT VOLUME: MAX. ZYLINDERVOLUMEN: 1.4L

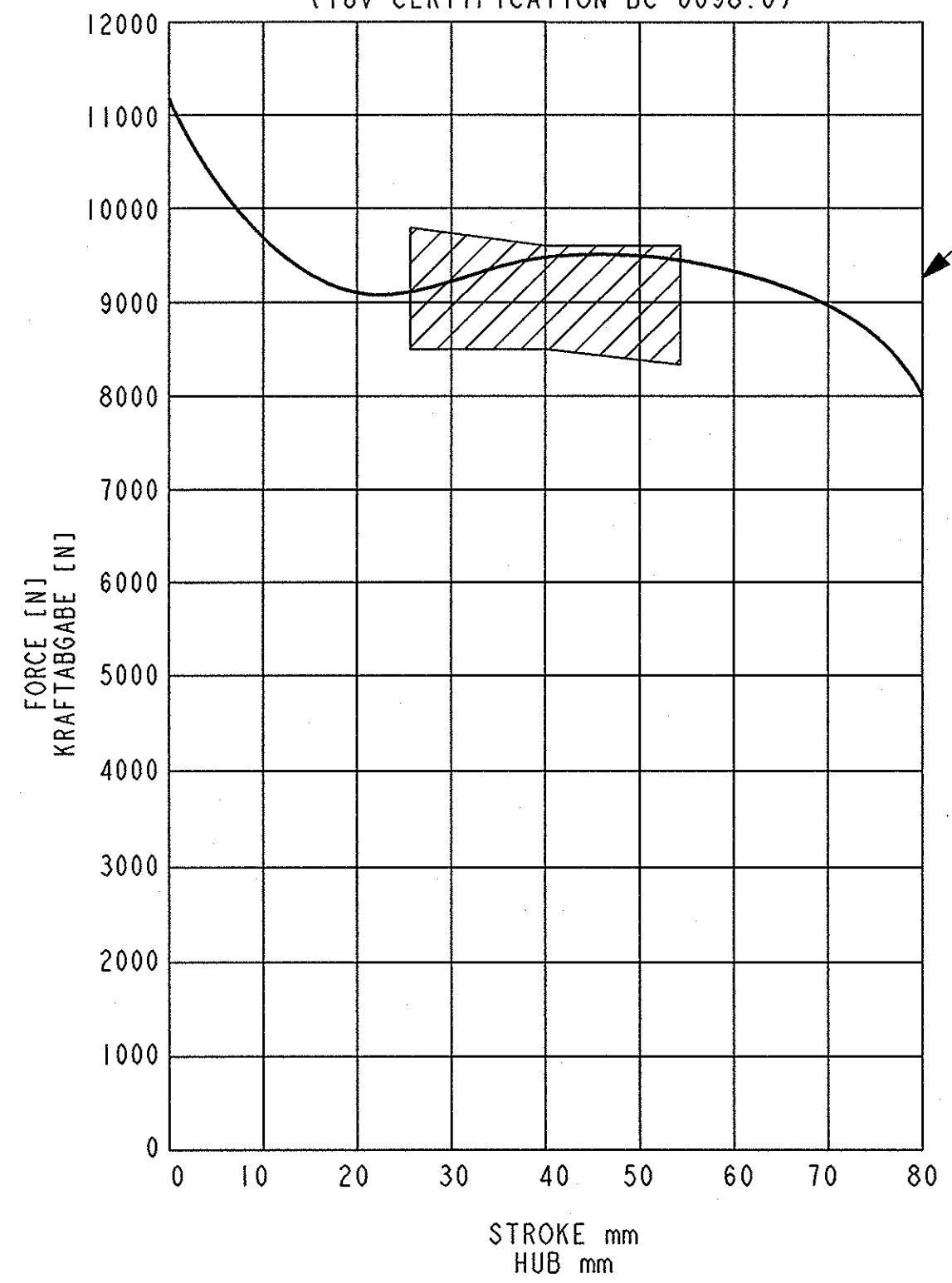
MISALIGNMENT OF THE PUSHROD IN ANY POSITION 4°
SCHWENKBEREICH DER DRUCKSTANGE ALLSEITIG 4°

UNIT SHOWN IN BRAKE RELEASED POSITION
ZYLINDER IN UNBETAETIGTER STELLUNG DARGESTELLT

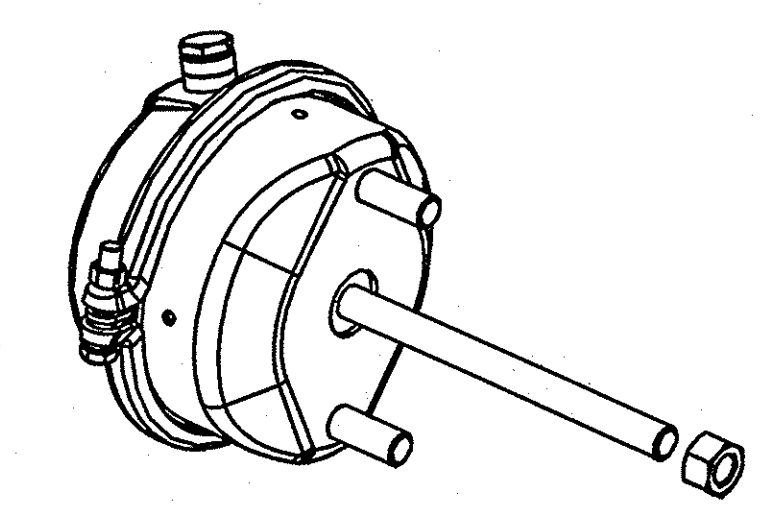
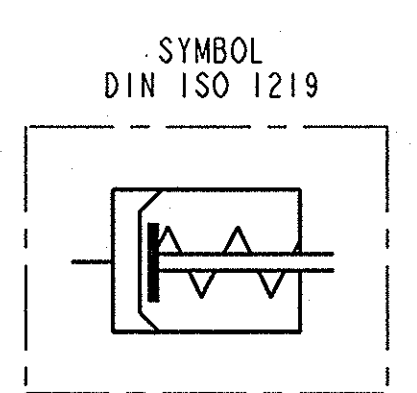
GENERAL TOLERANCES ALLGEMEIN TOLERANZEN					
NOMINAL DIMENSION RANGE (±) ABMESSUNGEN VON-BIS					
CLASS	THIS PART	THIS PART	> 50 [1.97]	> 150 [5.91]	> 400 [15.75]
A		0,5 [0.019]	1,0 [0.039]	1,5 [0.059]	2,0 [0.079]
B	X	1,0 [0.039]	2,0 [0.079]	3,0 [0.118]	4,0 [0.157]
C		2,0 [0.079]	3,5 [0.138]	5,0 [0.197]	6,5 [0.256]

TAPPED HOLES ACCORDING TO ISO 4039 / JED-152

SERVICE CHAMBER PERFORMANCE T-24
KRAFTABGABE TYP 24
(TUV CERTIFICATION BC 0098.0)



TORQUE TABLE TABELLE DER ANZIEHDREHMOMENTE	
ITEM	N·m
M16X1,5 MOUNTING NUTS BEFESTIGUNGSMUTTERN	180-210
M16X1,5 CLEVIS TO JAM NUT KONTERMUTTER AM GABELKOPF	80-110
M16X1,5 PORT FITTINGS ANSCHLUSSVERSCHRAUBUNG	40-50



APPLICATION DRAWING EINBAU ZEICHNUNG

THIS DRAWING USES CLASSIFIED CHARACTERISTIC SYMBOLS DEFINED IN ENGINEERING PROCEDURE PRO-20

123240004	WITH MIT	WITH MIT	SHIELD DICHTSCHEIBE	PLUG VERSCHLUSS-SCHRAUBE	PROTECTOR GEWINDESCHUTZKAPPE	148	225°	0°	R/	
123240003	WITH MIT	WITH MIT	SHIELD DICHTSCHEIBE	PLUG VERSCHLUSS-SCHRAUBE	PROTECTOR GEWINDESCHUTZKAPPE	210	225°	0°	R/	
123240002	WITH MIT	WITH MIT	BOOT BALG	PLUG VERSCHLUSS-SCHRAUBE	PROTECTOR GEWINDESCHUTZKAPPE	186	225°	0°	R/	
123240001	WITH MIT	WITH MIT	SHIELD DICHTSCHEIBE	PLUG VERSCHLUSS-SCHRAUBE	PROTECTOR GEWINDESCHUTZKAPPE	186	225°	0°	R/	
PART NUMBER BESTELL-NR.	C WASHER, FLAT SCHEIBE QTY 2	D LOCK NUT, HEX BEFESTIGUNGS MUTTER QTY 2	F DUST BOOT/SHIELD BALG DICHTSCHEIBE	EPT PORT ANSCHLUSS	SPT PORT ANSCHLUSS	G PROTECTOR / PLUG, PORT GEWINDESCHUTZKAPPE / VERSCHLUSS-SCHRAUBE	J DIM MAB ±3	S ±5° CLAMPBAND SPANNBAND	T ±5° PORTS ANSCHLUSS	R E L

TOLERANCE BAND (ACCORDING TO DIN 74060-1) AT 6,5 BAR
KRAFTABGABE BBA BEI 6,5 BAR
TOLERANZBAND GEMAESS DIN 74060-1

DIMENSIONS UNLESS OTHERWISE SPECIFIED CONFORM WITH ASME Y14.5M	
THIS DRAWING CONTAINS CONFIDENTIAL PROPRIETARY INFORMATION OF HALDEX BRAKE PRODUCTS CORPORATION AND IS SUBJECT TO RETURN UPON REQUEST. THE FURNISHING OF THIS DRAWING IS NOT TO BE CONSIDERED AS THE GRANT OF ANY LICENSE, EITHER EXPRESS OR IMPLIED, TO MANUFACTURE, HAVE MANUFACTURED, USE OR SELL THE STRUCTURES SHOWN HEREON.	
EDR Date: 7/23/08 CW	SUPERSEDED BY:
Third Angle Projection	TOLERANCES UNLESS OTHERWISE SPECIFIED (Finish per ANSI B46.1)
1 Place ± ...	2 Place ± ...
3 Place ± ...	Angular ± ...
MATERIAL	
Material Approved	Weight 3,8 kg
Drawn: J. CARRON 17-Mar-08	08-148
Checked: A. BRADFORD 19-Mar-08	Approved: BF 19-Mar-08
ASSEMBLY NAME: CHAM24 AIR	ASSEMBLY NUMBER: 123240001
ASSEMBLY DESCRIPTION: CHAMBER TYPE-24, 80mm STK	SCALE: NONE
ITEM DESCRIPTION	GENERIC MODEL NO

123240001