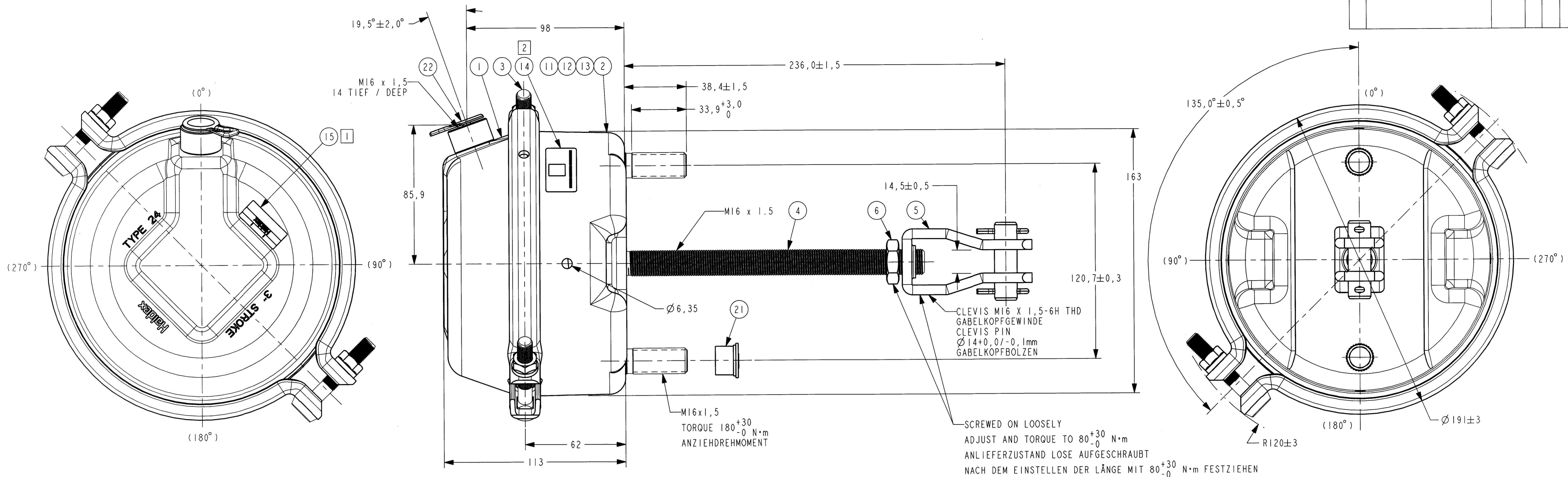


No.	Revision	Date	Dr.	CK.	App.
00					



UNIT SHOWN IN BRAKE RELEASED POSITION
 ZYLINDER IN UNBETAETIGTER STELLUNG DARGESTELLT

MISALIGNMENT OF THE PUSH ROD IN ANY DIRECTION: 3°
 SCHWENKBEREICH DER DRUCKSTANGE ALLSEITIG:

THERMAL RANGE OF APPLICATION: -40°C BIS $+80^\circ\text{C}$
 THERM. ANWENDUNGSBEREICH:

WITHIN THE THERMAL RANGE THE DIAPHRAGM WILL RETURN IN
 PRESSURELESS CONDITION INTO THE INITIAL POSITION
 IM THERM. ANWENDUNGSBEREICH GEHT DIE MEMBRAN
 IN DIE AUSGANGSLAGE ZURUECK

WORKING PRESSURE: 10 bar
 BETRIEBSDRUCK:

MEDIUM: AIR
 MEDIUM: LUFT

PISTON RETURN SPRING, SERVICE SIDE, MINIMUM RETURN FORCE:
 MINDESKRAFT DER KOLBENRUECKSTELLFEDER IM BETRIEBSBREMSTEIL: 177^{+44}_{-0} N

SURFACE PROTECTION: BLACK POWDER COATED
 OBERFLAENCHENSCHUTZ: SCHWARZ PULVERBESCHICHTET

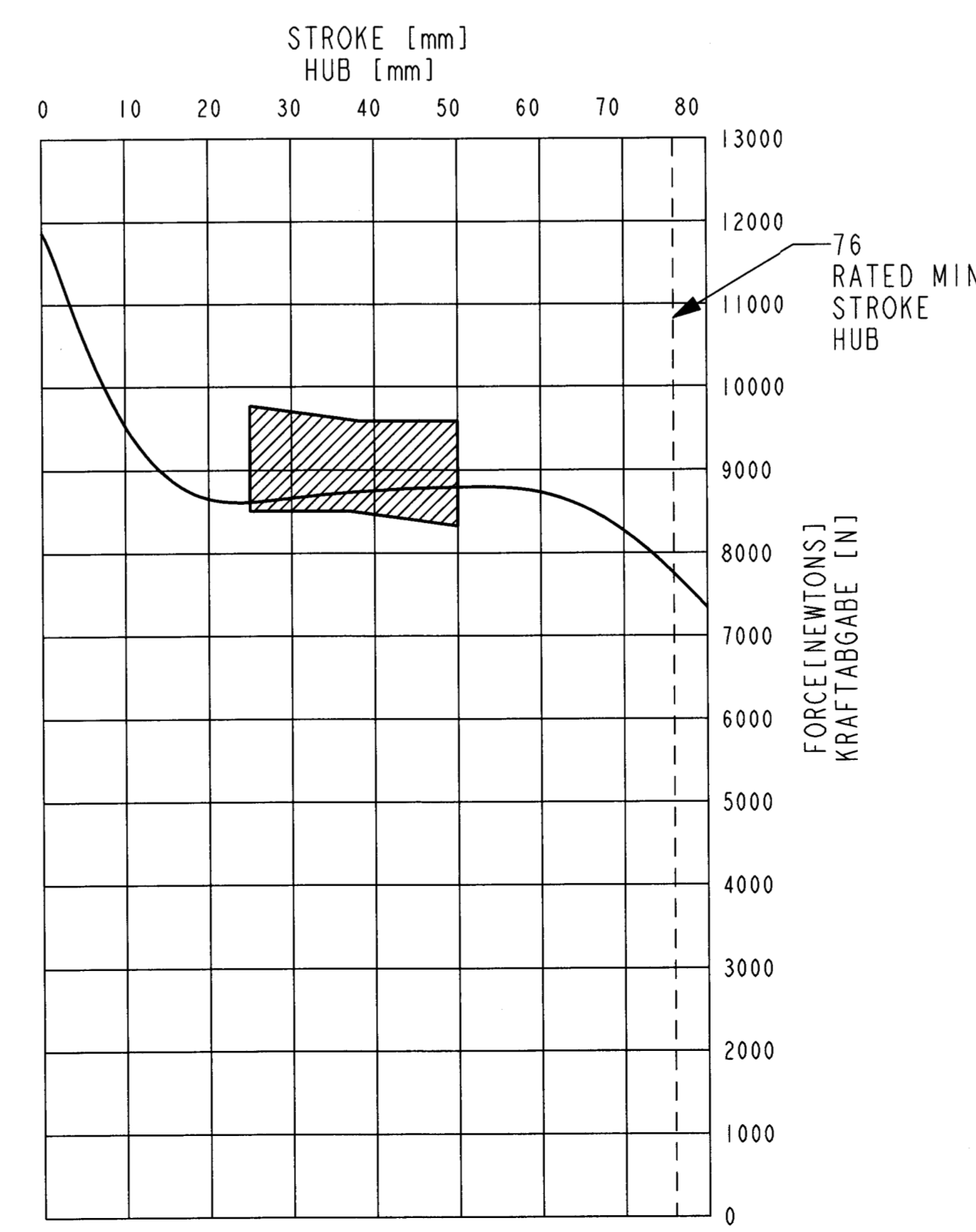
SWEPT VOLUME: (1/2 STROKE) = 0.8 L
 HUBVOLUMEN: (1/2 HUB) = 0.8 L

FITTING POSITION: OPTIONAL
 EINBAULAGE: BELIEBIG

1 ATTACH LABEL PER HALDEX SPEC ESD-3023-Y IN AREA SHOWN
 IM DARGESTELLTEN BEREICH BESTELL- NR. UND DATUMSCODE EINGEPRAGT
 ODER TYPSCHEID NACH HALDEX SPEZIFIKATION ESD-3023-Y ANGEBRACHT

2 BAR CODE LABEL ATTACHED IN APPROXIMATE LOCATION SHOWN
 BAR CODE ETIKETT IM DARGESTELLTEN BEREICH ANGEBRACHT

SERVICE CHAMBER PERFORMANCE T-24
 TOLERANCE BAND ACCORDING TO
 DIN 74060-1 AT 6.5 BAR



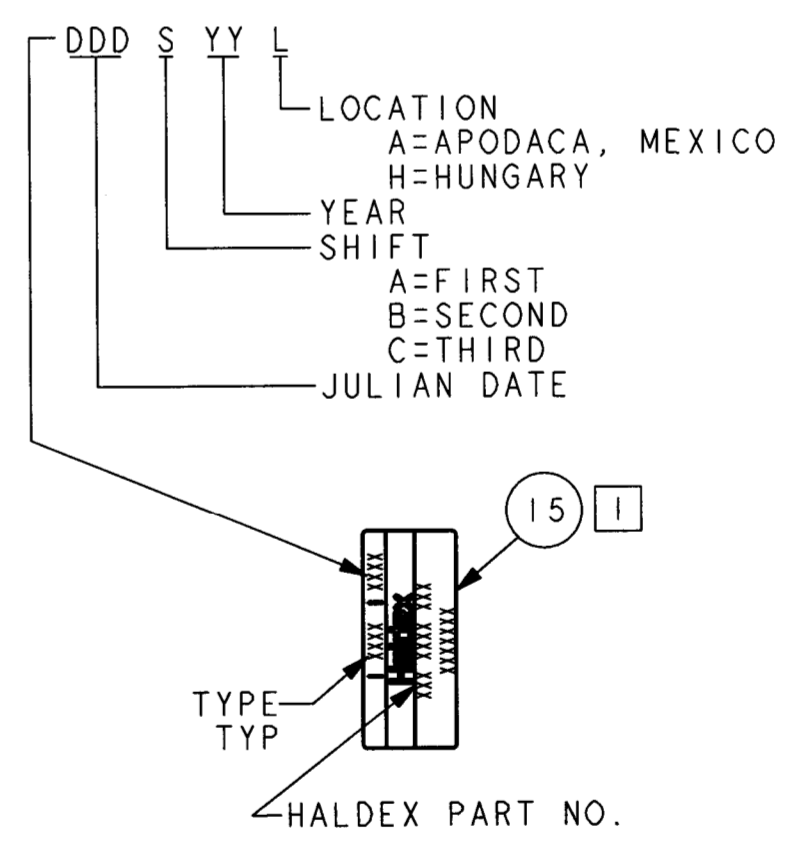
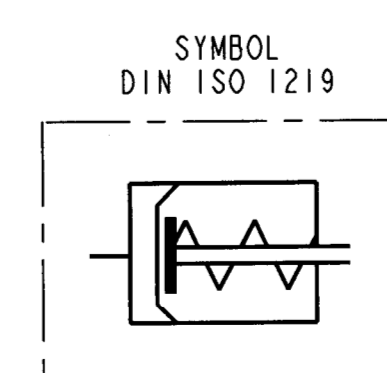
TORQUE TABLE
TABELLE DER ANZIEHDREHMOMENTE

ITEM	N·m
CLAMPBAND SPANNBAND	27-41
M16 MOUNTING NUTS BEFESTIGUNGSMUTTERN	180-210
M16 PORT FITTINGS ANSCHLUSSVERSCHRAUBUNG	35-40

GENERAL TOLERANCES
ALLGEMEIN TOLERANZEN

CLASS	THIS PART	HEIR	E	> 50	> 150	> 400	≤
A			0.5	1.0	1.5	2.0	
B			1.0	2.0	3.0	4.0	$\pm 3^\circ$
C	X		2.0	3.5	5.0	6.5	

TAPPED HOLES ACCORDING TO ISO 4039 / JED-152



SCHMITZ
APPLICATION DRAWING
EINBAU ZEICHNUNG

THIS DRAWING USES CLASSIFIED CHARACTERISTIC SYMBOLS DEFINED IN ENGINEERING PROCEDURE PRO-20

DIMENSIONS UNLESS OTHERWISE SPECIFIED CONFORM WITH ASME Y14.5M

THIS DRAWING CONTAINS CONFIDENTIAL PROPRIETARY INFORMATION OF HALDEX BRAKE PRODUCTS CORPORATION AND IS SUBJECT TO RETURN UPON REQUEST. THE FURNISHING OF THIS DRAWING IS NOT TO BE CONSTRUED AS THE GRANT OF ANY LICENSE, EITHER EXPRESS OR IMPLIED, TO MANUFACTURE, HAVE MANUFACTURED, USE OR SELL THE STRUCTURES SHOWN HEREON.

ITEM	DESCRIPTION	ASSEMBLY NUMBER
22	PROTECTOR PORT	
21	PROTECTOR, THREAD	
15	LABEL	
14	BAR CODE LABEL	
13	SHIELD, DUST	
12	SPRING, RETURN	
11	DIAPHRAGM	
6	NUT, JAM	
5	CLEVIS ASSY	
4	PUSHROD ASSY	
3	CLAMPBAND ASSY	
2	HOUSING ASSY, STUD	
1	HOUSING ASSY, PRESSURE	

EDR Date: 7/23/2012 CW
 SUPERSEDES: 120357201_APP
 TOLERANCES Unless Otherwise Specified: \pm finish per ANSI B46.1
 Dimensions in: inches mm
 DO NOT SCALE DRAWING
 Material: ---
 Weight: 8.69 lb
 3.94 kg
 DC RHOADS 12-189
 14-May-12
 Checked: A.B.M.
 Approved: B.F.
 23-Jul-12
 Originality for: ---
 Scale: NONE
 ASSEMBLY NUMBER: 127240401
 ASSEM NAME: CHAM24 AIR
 ASSEM NUMBER: T-24 CHAMBER 3" STROKE
 Scale: NONE
 127240401
 GENERIC MODEL NO. 127240400_APP

56
 55
 54
 53
 52
 51
 50
 49
 39
 29
 28
 25
 24
 18
 17
 14
 5