

## Technical Information



### ILAS<sup>®</sup>-E

ILAS<sup>®</sup>-E is used for electrically controlled lifting and lowering of one or several lift - axles with conventional air suspension systems.

With electronically controlled air brake systems, e.g. EB<sup>+</sup>, ILAS<sup>®</sup>-E are controlled by the load depended output signal. With standard installations it is possible to control ILAS<sup>®</sup>-E by a separate specialized pressure switch with two independent setting pressures.

ILAS<sup>®</sup>-E with additional pneumatic ports is an innovative further development of the well known ILAS<sup>®</sup>-System family.

### Benefits

- Optimised for low-cost and easier installation.
- Higher flow performance for quicker reaction of the lift axles.
- Integration of additional ports.
- Minimisation of the logistic and stock costs.
- Low weight and small size.
- Compatible with Haldex EB<sup>+</sup> and other EBS Systems.
- DIN-Bayonet or socket connection.

### Use

The ILAS®-E is used for automatic load dependant lifting or lowering of one or more lift axles. The electrical signal to the solenoid comes from the EB<sup>+</sup>-system. If the solenoid is not signalled the axle is down.

### Options

Manual lowering under application of a 3/2 - way valve e.g. 352 019 ... or a switch.  
Traction support option under application of a switch and speed signal (EB<sup>+</sup>).

### Technical data

Operating pressure	pe = 8.5 bar
Switch pressure	min. 2.5 bar
Operating temperature	-40°C - +80°C
Weight	ca. 0.8 kg
Limited heat resistance	1h at 110°C without pressure
Voltage	U = 24V DC +6 / -8
Current power	Io = 250 mA / Po = 6 W
Permissible duty	100 % ED
Type of protection for	DIN 72585-A12 DIN 40050-IP 6K 9K
Push in connections	plastic tube 8x1 DIN 74324

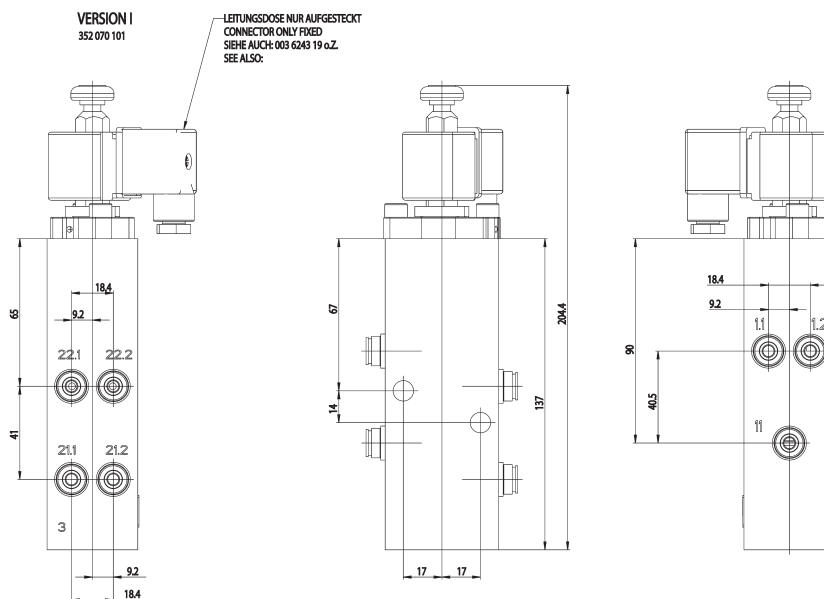
### Port description

- 1, 1.1, 1.2 = Supply
- 11 = Air suspended axle
- 1.1, 21.2 = Lift-Axle
- 22.1, 22.2 = Lift-Bellow
- 3 = Exhaust

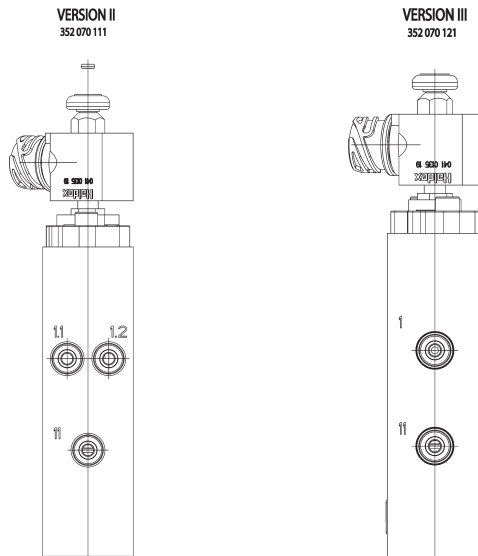
### Versions

- 352 070 001** Wiring socket, Version I
- 352 070 011** DIN 72585-A12,1-SN/K1, Version II
- 352 070 021** DIN 72585-A12,1-SN/K1 Version III

### Dimensions 352 070 ...



ALLE ANSCHLÜSSE/ALL PORTS  
STECKVERBINDUNG FÜR RCHR-DIN 74324-8x1-23 TIEF/DEEP  
PUSH-IN FITTING FOR TUBE



### Symbol DIN ISO 1219

