

Haldex ILAS®-E

ILAS®-E is a further development of the known ILAS®-Systems. New is herewith that ILAS®-E displays a slighter construction design. The control results electrically via a solenoid valve.

Advantage

- Variable modular type
- Corrosion protected
- Less weight
- Capable to EBS - EPV® Systems
- Minimum maintenance
- Connecting thread M 16 x 1.5
or
Push in connection for plastic tube 8 x 1



Introduction

The ILAS®-E used for automatic load dependant lifting or lowering of one or more lift axles. The electrical signal to the solenoid comes from the EBS - or EPV® - system. If the solenoid is not signalled the axle is down.

Option

Manual lowering under application of a 3/2 - way valve e.g. 352 019 . . . or a switch. Traction support option under application of a switch and time relay.

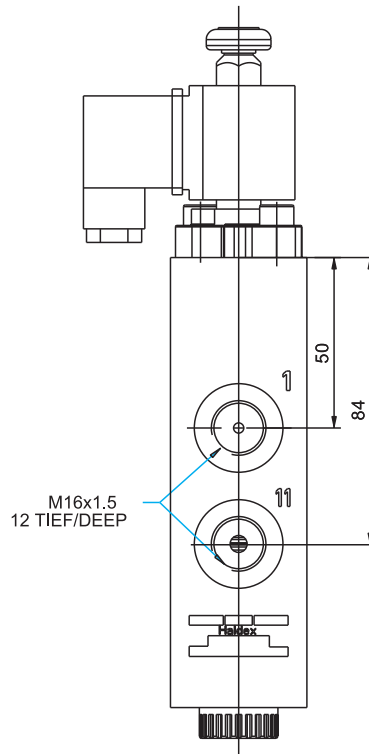
Technical Data

Operating pressure service brake	$p_e = 8.5 \text{ bar}$
Switching pressure	min. 2.5 bar
Thermal range of application	-40°C - +80°C
Weight	ca. 0.8 kg
Limited heat resistance	1h at 110°C without press.
Voltage	$U = 24\text{V DC}$ +2.5 / -3.5
Current / power	$I_o = 250 \text{ mA}$ / $P_o = 6 \text{ W}$
Permissible duty	100 %
Type of protection	DIN 40050-IP 67 A

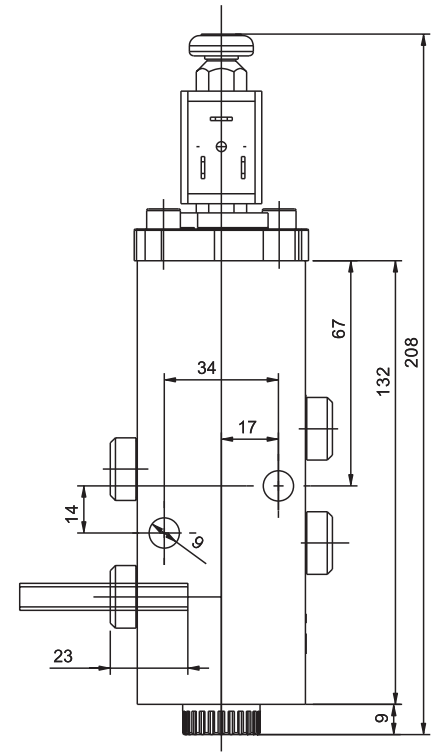
Versions

352 061 001	connecting thread M 16 x 1.5
352 062 001	Push in connections for plastic tube 8 x 1

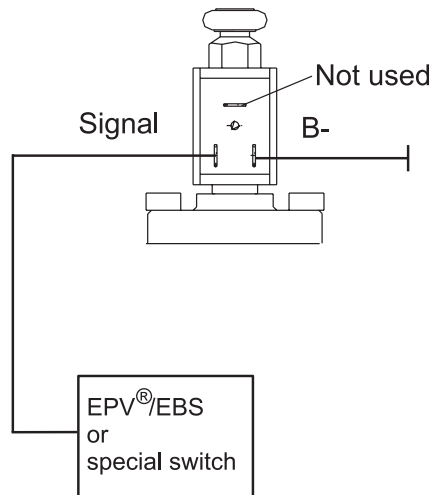
Dimensions 352 061 001



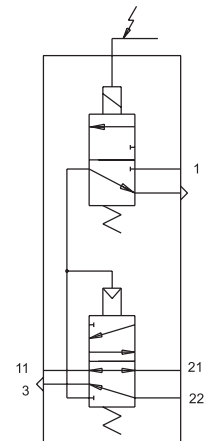
352 062 001



Electrical connections



Symbol DIN ISO 1219



Innovative Vehicle Technology

Haldex Brake Products GmbH
69123 Heidelberg, Eppelheimer Str. 76
Tel. +49-6221 70 30, Fax +49-6221 70 3400
e-mail: info@hbpde.haldex.com