

# Park- and Release valve

## Haldex Park- and Release valve

The new Park- and Release valve represents an optimisation of operating devices for the parking brake (spring brake) and / or for the release device of the Emergency brake.

By this means you have a saving of Installation material.



## Advantage

- Variable modular type
- Corrosion protected
- Less weight
- Minimum assembly work
- Minimum maintenance
- Connecting thread M 16 x 1.5

## Introduction

The Park- and Release valve has to be installed accessible near the front of the trailer. It is used for operating and releasing the service brake and parking brake when the trailer is disconnected from the truck.

## Assembly instructions

The Park- and Release valve has to be fixed at its flange with 2 M 8 bolts on the chassis of the vehicle.

The control button should face horizontal up to 90° in vertical direction.

## Technical Data

Operating pressure service brake

$$p_e = 8.5 \text{ bar}$$

Thermal range of application

$$-40^\circ\text{C} - +80^\circ\text{C}$$

Medium

Air

Torque for connections

34 Nm

Ports 1, 11, 21, 22

M 16 x 1.5

Port discription

1 = Inlet port

11 = Inlet port (Air reservoir)

21 = delivery port (REV)

22 = delivery port (Spring brake)

## Versions

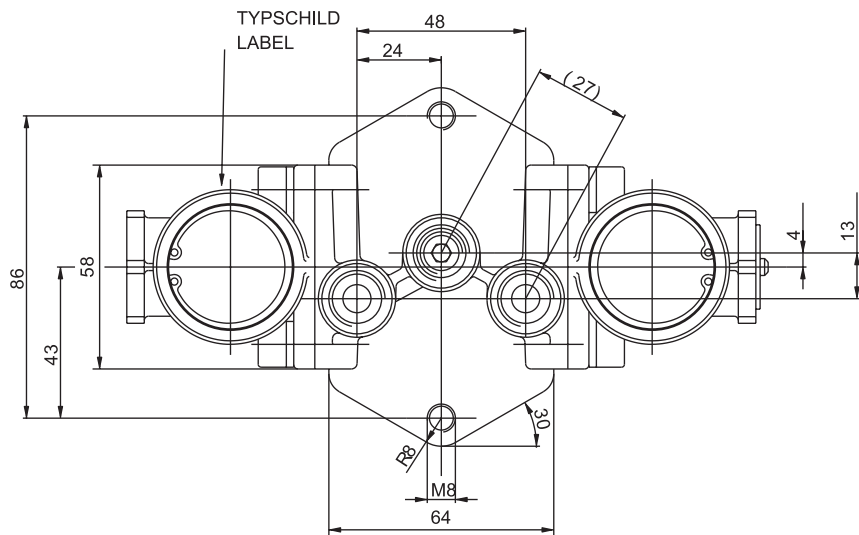
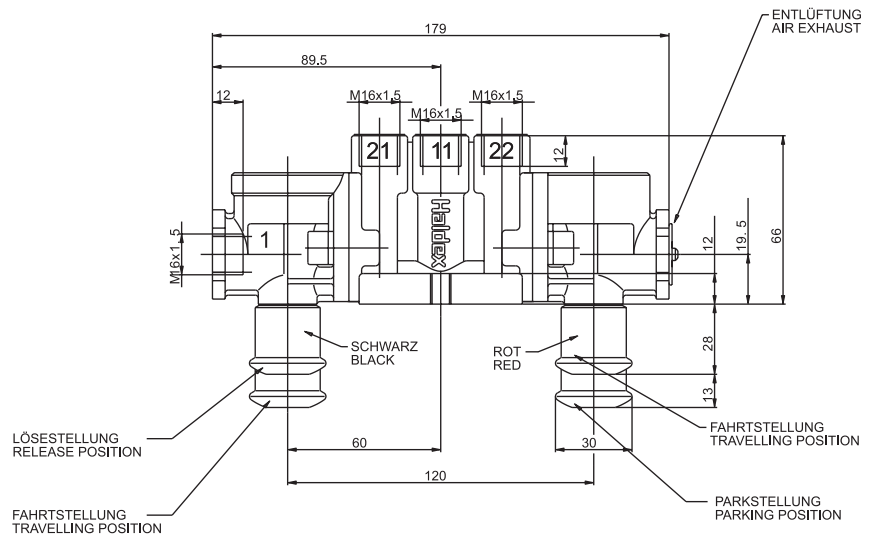
**352 044 001** Without check valve

**352 045 001** With check valve

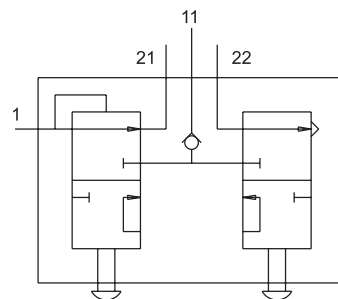
**028 0383 09** label

More versions on request

## Dimensions 352 045 001



## Symbol to DIN ISO 1219, 352 045 001



Innovative Vehicle Technology

Haldex Brake Products GmbH

69123 Heidelberg, Eppelheimer Str. 76

Tel. +49-6221 70 30, Fax +49-6221 70 3400

e-mail: info@hbpde.haldex.com