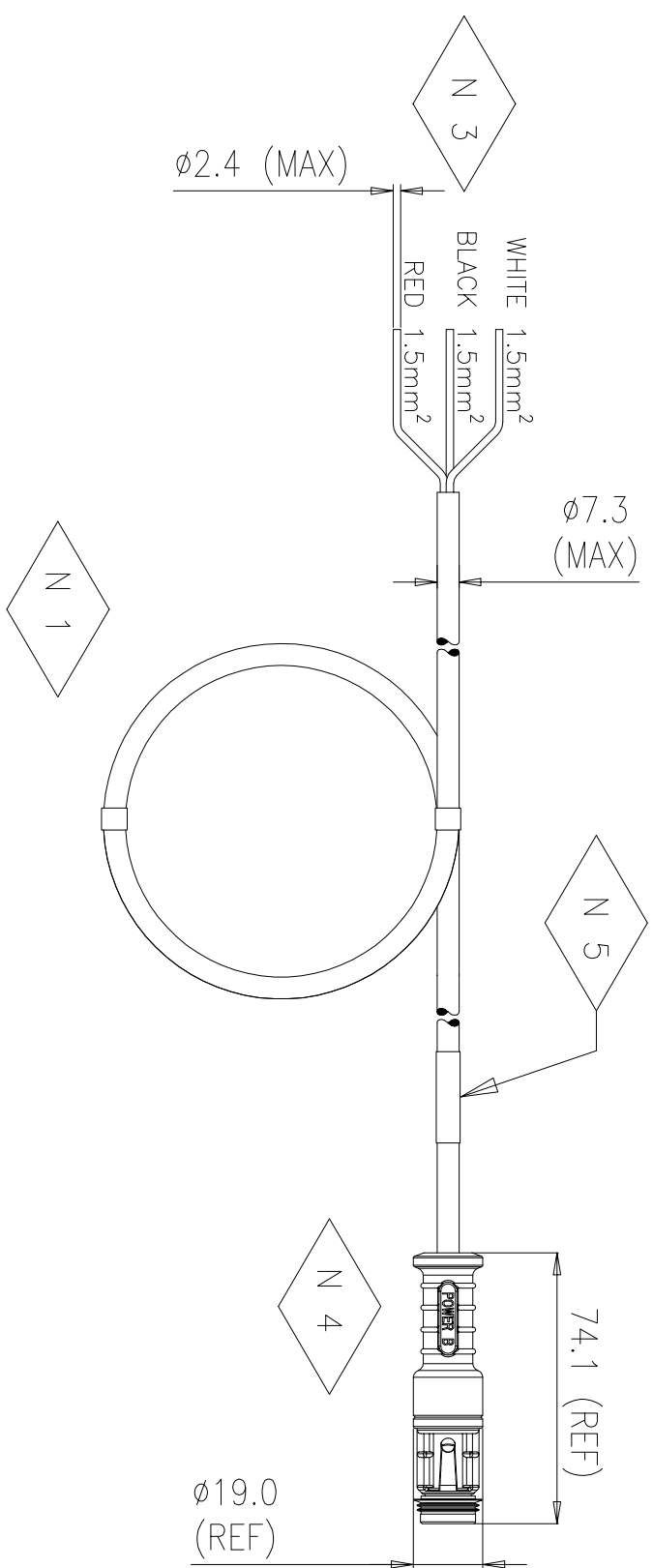


PART No. 364 509 000 2



HALDEX ASSY. No.	CABLE LENGTH	CABLE MATERIAL
364 509 001	12m	PVC
364 509 011	18m	PVC
364 509 021	15m	PVC

ISS	CHANGE	CHEC	DATE	ISS	CHANGE	CHEC	DATE
3	06498	BS	01-10-13				
2	06395	MPH	23-01-13				
1	PR1741	PTC	28-02-06				

THIS DRAWING/SPECIFICATION USES CLASSIFIED CHARACTERISTIC SYMBOLS DEFINED IN QUALITY PROCEDURE 4.17

THIS DRAWING/DOCUMENT IS COPYRIGHT AND THE PROPERTY OF HALDEX BRAKE PRODUCTS LIMITED. IT MUST NOT BE COPIED (IN WHOLE OR IN PART) USED FOR MANUFACTURE OR OTHERWISE DISCLOSED WITHOUT PRIOR WRITTEN CONSENT OF THE COMPANY. ANY COPIES OF THIS DRAWING/DOCUMENT MADE BY ANY METHOD MUST ALSO INCLUDE A COPY OF THIS LEGEND.

NOTE: UNLESS OTHERWISE STATED THE FOLLOWING APPLIES

- ISO METHOD A
- S.I. UNITS
- SURFACE FINISH TO BS 308/BS 1134
- DIMS. APPLY AFTER CHEMICAL OR ELECTRO-PLATED FINISH.
- WELD SYMBOLS TO BS 499.
- D DATUM DIMENSIONS.
- METRIC THREADS TO BS 3643/DIN 13.
- UNIFIED THREADS TO BS 1580.

ASSOC SPECS.	BS EN 60529	DATE	APPROVED FOR ISSUE
MATERIAL		28-02-06	PTC
HEAT TREATMENT		03/10/13	CHECKED
FINISH		03/10/13	APPROVED SPECIALIST
FORM		03/10/13	APPROVED FOR ISSUE

TITLE: POWER B CABLE ASSY

ORIGINAL SCALE: NTS

WAS SHEET 1 OF 1

HALDEX BRAKE PRODUCTS LTD
MOONS MOAT DRIVE,
MOONS MOAT NORTH,
REDDITCH, WORCS.
B98 9HA

PART No. 364 509 000 2