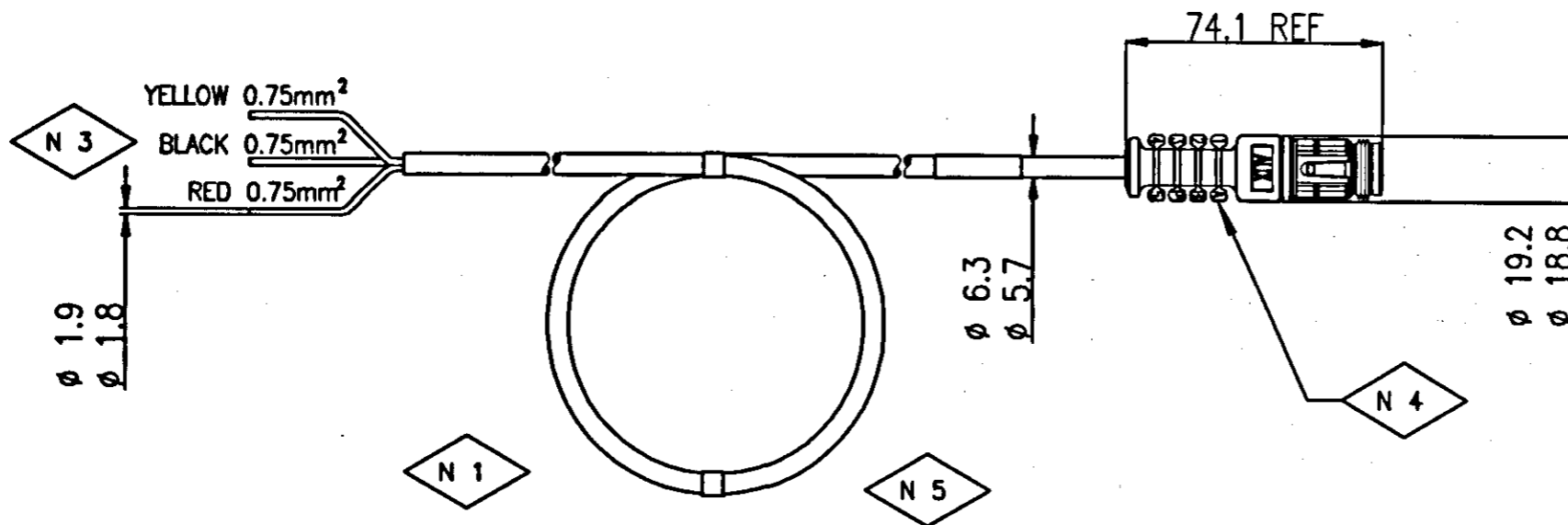


364 531 0002

PART No. 364 531 000 2

COMPUTER PRODUCED DRAWING
MUST NOT BE CHANGED MANUALLY

- N 1 CABLE SUPPLIED IN COILED CONDITION AS SHOWN.
- N 3 FOR CABLE TERMINATION REFER TO INSTALLATION/SERVICE MANUAL.
- N 4 REFER TO INSTALLATION/SERVICE MANUAL FOR TAG REMOVAL.
- N 5 CONFORMS TO IP67 (BS EN 60529) WHEN MATED WITH ECU



ASSY NO.	CABLE LENGTH	CABLE MATERIAL	SOCKET COLOUR
364 531 001	20M	PVC	ORANGE
364 531 011	16M	PVC	ORANGE

K
T M
THIS DRAWING/SPECIFICATION USES
CLASSIFIED CHARACTERISTIC
SYMBOLS DEFINED IN QUALITY
PROCEDURE 4.17

1	PR1837	RCM	12-06-07				
ISS	CHANGE	CHEC	DATE	ISS	CHANGE	CHEC	DATE

THIS DRAWING/DOCUMENT IS
COPYRIGHT AND THE PROPERTY OF
HALDEX BRAKE PRODUCTS LIMITED.
IT MUST NOT BE COPIED (IN WHOLE
OR IN PART) USED FOR MANUFACTURE
OR OTHERWISE DISCLOSED WITHOUT
PRIOR WRITTEN CONSENT OF THE
COMPANY. ANY COPIES OF THIS
DRAWING/DOCUMENT MADE BY ANY
METHOD MUST ALSO INCLUDE A COPY
OF THIS LEGEND. © 2003

NOTE: UNLESS OTHERWISE STATED THE FOLLOWING APPLIES
1 ISO METHOD A \rightarrow PROJECTION
2 S.I. UNITS.
3 SURFACE FINISH TO BS 308/BS 1134.
4 DIMS. APPLY AFTER CHEMICAL OR ELECTRO-PLATED FINISH.
5 WELD SYMBOLS TO BS 499.
6 D DATUM DIMENSIONS.
7 METRIC THREADS TO BS 3643/DIN 13.
8 UNIFIED THREADS TO BS 1580.

ASSOC SPECS.	-			
MATERIAL	-	DRAWN	CGSpracklen	DATE 22-11-00
HEAT TREATMENT	-	CHECKED	R.C.Mallaby	DATE 12-03-07
FINISH	-	APPROVED SPECIALIST		DATE
FORM	-	APPROVED FOR ISSUE	R.C.Mallaby	DATE 12-03-07

TITLE
**AUXILIARY CABLE
(PLC SELECT 2M)**
ORIGINAL SCALE
WAS
SHEET 1 OF 1

HALDEX BRAKE PRODUCTS LTD
MOONS MOAT DRIVE,
MOONS MOAT NORTH,
REDDITCH, WORCS.
B98 9HA



PART No. 364 531 000 2