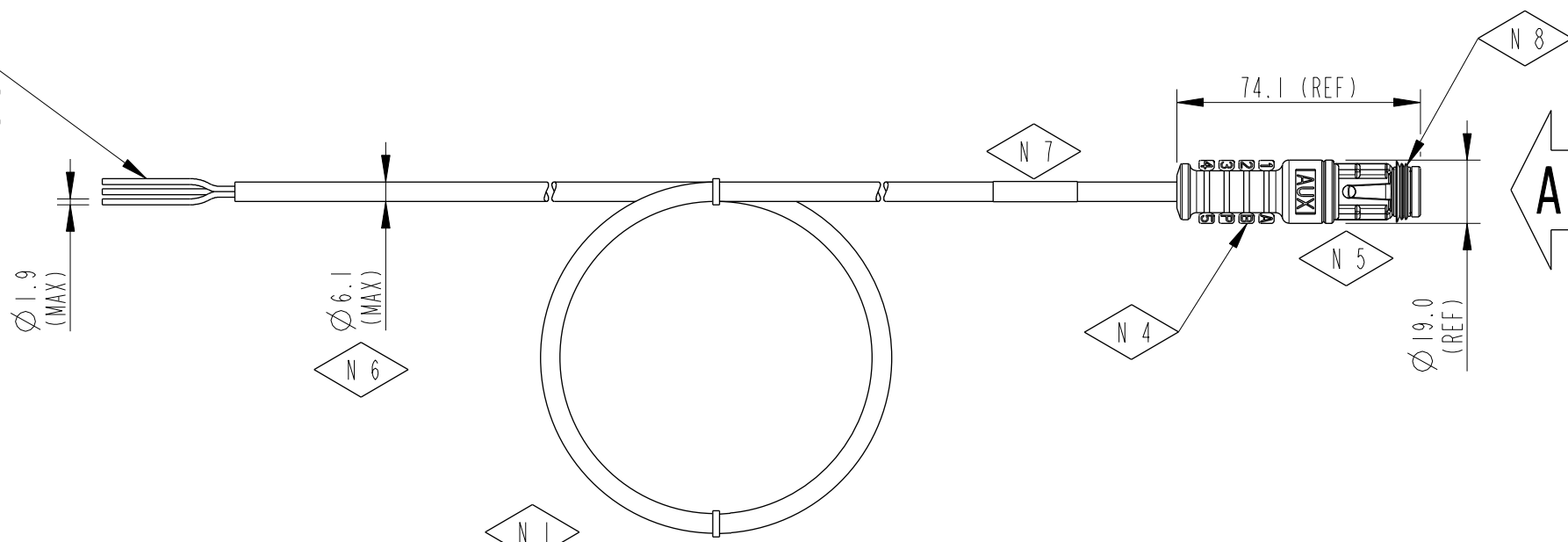


PART No. **814_001_300_2**

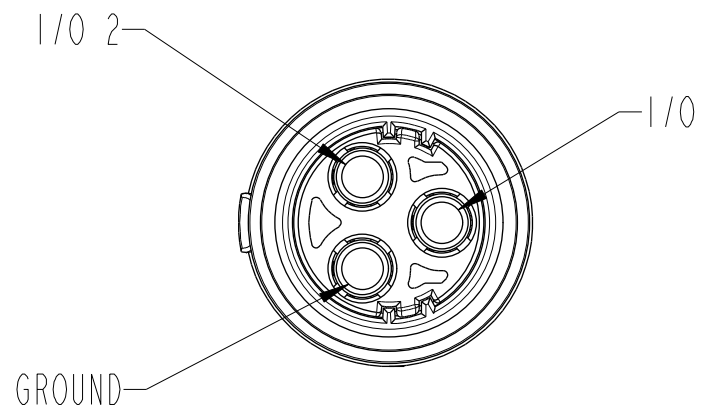
**COMPUTER PRODUCED DRAWING
MUST NOT BE CHANGED MANUALLY**

I/O 1 (RED)
I/O 2 (YELLOW)
GROUND (BLACK)



- N 1 CABLE SUPPLIED IN COILED CONDITION AS SHOWN.
- N 2 -
- N 3 FOR CABLE TERMINATION REFER TO INSTALLATION/SERVICE MANUAL.
- N 4 REFER TO INSTALLATION/SERVICE MANUAL FOR TAG REMOVAL.
- N 5 CONFORMS TO IP67 (BS EN 60529) WHEN MATED WITH EB+ ECU / Y-SPLITTER.
- N 6 CABLE INSULATION MATERIAL - PVC WIRE CORE CROSS SECTIONAL AREA - 0.75mm².
- N 7 PART NUMBER IDENTIFICATION.
- N 8 SEAL TO BE PROTECTED FROM DAMAGE PRIOR TO ASSEMBLY.

ASSY No.	CABLE LENGTH
814 001 302	7m
814 001 312	18m
814 001 322	2m
814 001 332	4m
814 001 342	1m
814 001 352	12m
814 001 372	10m
814 001 382	0.5m



VIEW IN DIRECTION
OF ARROW 'A'
SCALE 2:1

**THIS DRAWING/SPECIFICATION USES CLASSIFIED
CHARACTERISTIC SYMBOLS DEFINED IN
QUALITY PROCEDURE 4.17**

**TO VIEW CHANGE INFORMATION, ACCESS THE
ENGINEERING DOCUMENT DATABASE (EDD) & INPUT
THE RELEVANT NUMBER BELOW. EXAMPLE 'C6500'.**

ISS	CHANGE	CHEC	DATE	ISS	CHANGE	CHEC	DATE
7	C5155	RCM	12/03/07				
6	C4887	CGS	09/12/05				
5	C4705	DMS	03/02/05	12	C6661	MPH	28/10/15
4	C4399	PTC	21/11/03	11	C6191	MPH	23/01/12
3	C4229	PTC	04/12/02	10	C5485	JFB	02/06/09
2	C3980	CGS	31/07/01	9	C5413	RCM	12/06/08
1	PR1321	CGS	16/02/01	8	C5233	RCM	12/06/07

THIS DRAWING/DOCUMENT IS
COPYRIGHT AND THE PROPERTY OF
HALDEX BRAKE PRODUCTS LIMITED.
IT MUST NOT BE COPIED (IN WHOLE
OR IN PART) USED FOR MANUFACTURE
OR OTHERWISE DISCLOSED WITHOUT
PRIOR WRITTEN CONSENT OF THE
COMPANY. ANY COPIES OF THIS
DRAWING/DOCUMENT MADE BY ANY
METHOD MUST ALSO INCLUDE A COPY
OF THIS LEGEND. © 2015

NOTE: UNLESS OTHERWISE STATED THE FOLLOWING APPLIES

- ISO METHOD A PROJECTION.
- S.I. UNITS.
- SURFACE FINISH TO BS 308/BS 1134.
- DIMS. APPLY AFTER CHEMICAL OR ELECTRO-PLATED FINISH.
- WELD SYMBOLS TO BS 499.
- D DATUM DIMENSIONS.
- METRIC THREADS TO BS 3643/DIN 13.
- UNIFIED THREADS TO BS 1580.

PRO ENGINEER PART

ASSOC SPECS.	BS EN 60529				
MATERIAL	-	MODEL:	DATE:		
HEAT TREATMENT	-	DRAWN: M. HOLDER	DATE: 28/10/15		
FINISH	-	CHECKED	DATE 02/11/15		
FORM	-	APPROVED SPECIALIST	DATE 02/11/15		
		APPROVED FOR ISSUE	DATE 02/11/15		

TITLE
**AUXILIARY CABLE
EB+**

SCALE
1:2
SHEET 1 OF 1

HALDEX BRAKE PRODUCTS LTD
MIRA TECHNOLOGY PARK,
LINDLEY,
WARWICKSHIRE,
CV13 6DE



PART No.
814_001_300_2

A3