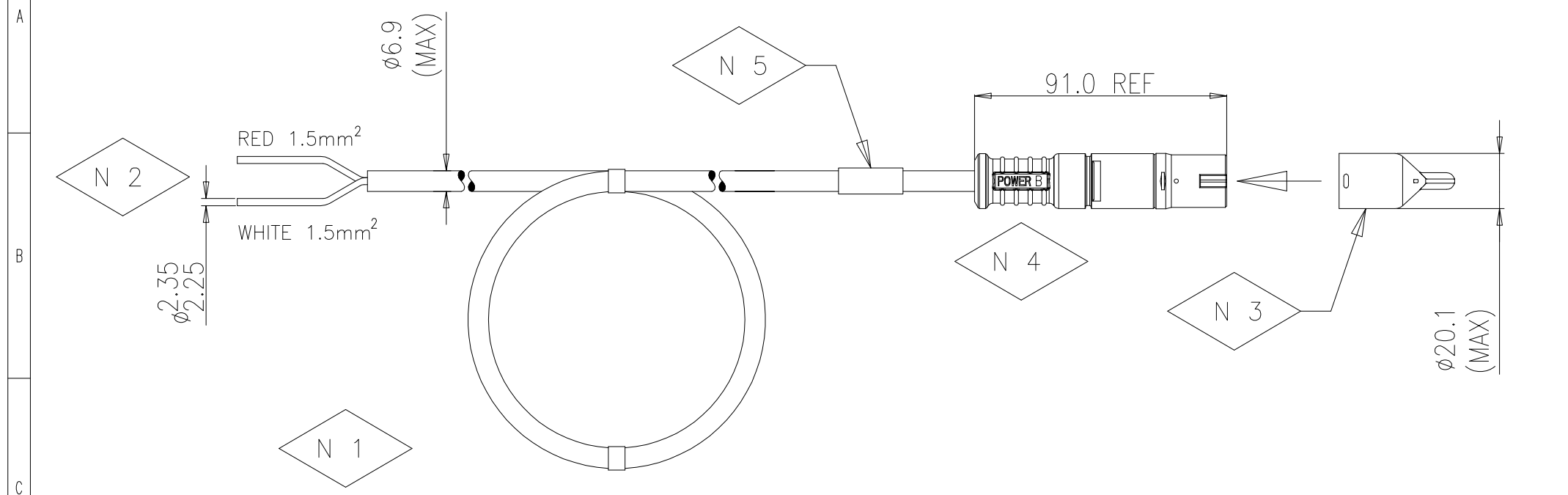


PART No. 814 002 200 2

COMPUTER PRODUCED DRAWING
MUST NOT BE CHANGED MANUALLY



- N 1 CABLE SUPPLIED IN COILED CONDITION AS SHOWN, IN A PLASTIC BAG.
- N 2 CONNECTS TO EITHER ISO 1185 (OLD STYLE CONNECTOR – NO LONGER APPROVED FOR ADR INSTALLATIONS):-
WHITE WIRE TO PIN 1
RED WIRE TO PIN 4

OR TO ISO 12098 (NEW STYLE CONNECTOR – ADR APPROVED):-
WHITE WIRE TO PIN 4
RED WIRE TO PIN 7
- N 3 PROTECTIVE CAP – DO NOT REMOVE UNTIL FITMENT TO ECU.
- N 4 CONFORMS TO IP67 (BS EN 60529) WHEN MATED WITH EB+ ECU.
- N 5 PART NUMBER IDENTIFICATION.

CABLE MATERIAL – PVC	
HALDEX ASSY. No.	CABLE LENGTH
814 002 202	12m
814 002 212	16m
814 002 222	6m
814 002 232	4m
814 002 242	9m

K **M**
T THIS DRAWING/SPECIFICATION USES CLASSIFIED CHARACTERISTIC SYMBOLS DEFINED IN QUALITY PROCEDURE 4.17

ISS	CHANGE	CHEC	DATE	ISS	CHANGE	CHEC	DATE
8	C6395	MPH	23-01-13				
7	C5485	HSU	27.10.08				
6	C5155	RCM	12-03-07				
5	C4863	CGS	20-10-05				
4	C4229	PTC	04-12-02				
3	C4118	CGS	19-03-02				
2	C3829	CGS	01-06-01				
1	PR1321	CGS	16-02-01				

THIS DRAWING/DOCUMENT IS COPYRIGHT AND THE PROPERTY OF HALDEX BRAKE PRODUCTS LIMITED. IT MUST NOT BE COPIED (IN WHOLE OR IN PART) USED FOR MANUFACTURE OR OTHERWISE DISCLOSED WITHOUT PRIOR WRITTEN CONSENT OF THE COMPANY. ANY COPIES OF THIS DRAWING/DOCUMENT MADE BY ANY METHOD MUST ALSO INCLUDE A COPY OF THIS LEGEND. © 2002

NOTE: UNLESS OTHERWISE STATED THE FOLLOWING APPLIES
 1 ISO METHOD A PROJECTION.
 2 S.I. UNITS.
 3 SURFACE FINISH TO BS 308/BS 1134.
 4 DIMS. APPLY AFTER CHEMICAL OR ELECTRO-PLATED FINISH.
 5 WELD SYMBOLS TO BS 499.
 6 D DATUM DIMENSIONS.
 7 METRIC THREADS TO BS 3643/DIN 13.
 8 UNIFIED THREADS TO BS 1580.

ASSOC SPECS.	BS EN 60529				
MATERIAL	-	DRAWN	CGSpracklen	DATE	04-12-00
HEAT TREATMENT	-	CHECKED		DATE	04/02/13
FINISH	-	APPROVED SPECIALIST	JPH	DATE	04/02/13
FORM	-	APPROVED FOR ISSUE	JPH	DATE	04/02/13

TITLE
24N CABLE EB+
ORIGINAL SCALE
NTS
WAS
SHEET 1 OF 1

HALDEX BRAKE PRODUCTS LTD
MOONS MOAT DRIVE,
REDDITCH, WORCS.
B98 9HA
Haldex
PART No. 814 002 200 2
A3