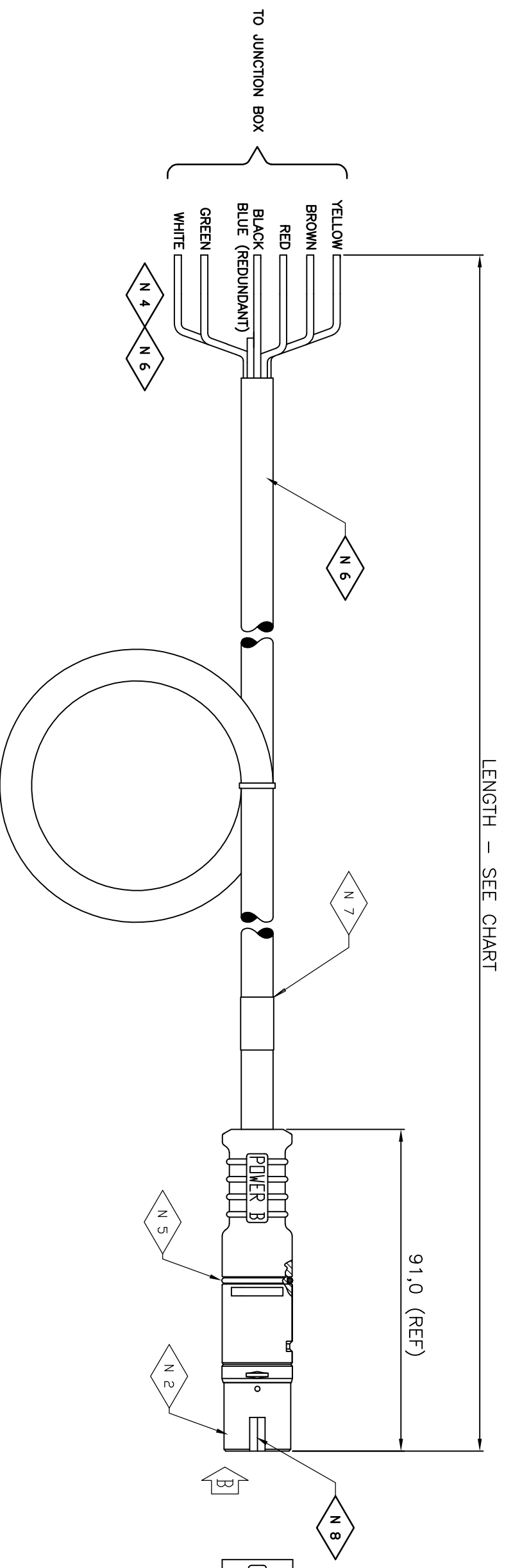


VIEW IN DIRECTION
OF ARROW 'B'.
SCALE 2 : 1



HALDEX ASSY No	BPW ASSY No	CUT LENGTH	ISS	CHANGE	DATE
814 002 301	02.1833.07.02	6m	1	PR1818	24/06/08
814 002 311	02.1833.07.04	12m	1	PR1818	24/06/08
814 002 321	02.1833.07.03	9m	1	PR1958	24/06/08
814 002 331	02.1833.07.01	4m	1	PR1958	28/10/08
814 002 341		1m	1	PR2046	17/08/10

ISS	CHANGE	CHEC	DATE	ISS	CHANGE	CHEC	DATE
1	PR1818	DMS	19/06/07				
2	PR1958	HSU	24/06/08				
3	PR1818	HSU	28.10.08				
4	JFB	HSU	24/07/09				
5	PL	PL	17/05/10				

THIS DRAWING/SPECIFICATION USES
CLASSIFIED CHARACTERISTIC SYMBOLS
DEFINED IN QUALITY PROCEDURE 4.17

ASSOCIATED SPECIFICATIONS	MATERIAL	HEAT TREATMENT	FINISH	FORM
-	-	-	-	ASSEMBLY

DATE	DATE	DATE	DATE	DATE
24.06.08	18/05/10	18/05/10	18/05/10	18/05/10

DATE	DATE	DATE	DATE	DATE
24.06.08	18/05/10	18/05/10	18/05/10	18/05/10

AutoCAD PART

THIS DRAWING/DOCUMENT IS
COPYRIGHT AND THE PROPERTY OF
HALDEX BRAKE PRODUCTS LIMITED.
IT MUST NOT BE COPIED (IN WHOLE
OR IN PART) USED FOR MANUFACTURE
OR OTHERWISE DISCLOSED WITHOUT
PRIOR WRITTEN CONSENT OF THE
COMPANY. ANY COPIES OF THIS
DRAWING/DOCUMENT MADE BY ANY
METHOD MUST ALSO INCLUDE A COPY
OF THIS LEGEND.

NOTE: UNLESS OTHERWISE STATED THE FOLLOWING APPLIES
1. ISO METHOD A PROJECTION.
2. S.I. UNITS.
3. SURFACE FINISH TO BS 308/BS 1134
4. DIMS. APPLY AFTER CHEMICAL OR ELECTRO-PLATED FINISH.
5. WELD SYMBOLS TO BS 499.
6. DATUM DIMENSIONS.
7. METRIC DIMENSIONS TO BS 3643/2/IN 13.
8. UNIFIED THREADS TO BS 1580.

DATE	DATE	DATE	DATE	DATE
24.06.08	18/05/10	18/05/10	18/05/10	18/05/10

DATE	DATE	DATE	DATE	DATE
24.06.08	18/05/10	18/05/10	18/05/10	18/05/10

DATE	DATE	DATE	DATE	DATE
24.06.08	18/05/10	18/05/10	18/05/10	18/05/10

DATE	DATE	DATE	DATE	DATE
24.06.08	18/05/10	18/05/10	18/05/10	18/05/10

DATE	DATE	DATE	DATE	DATE
24.06.08	18/05/10	18/05/10	18/05/10	18/05/10



HALDEX BRAKE PRODUCTS LTD.
WINDS WEAVER DRIVE, REDDITCH, WORCS. B98 7HA
PART No. 814 002 300 2