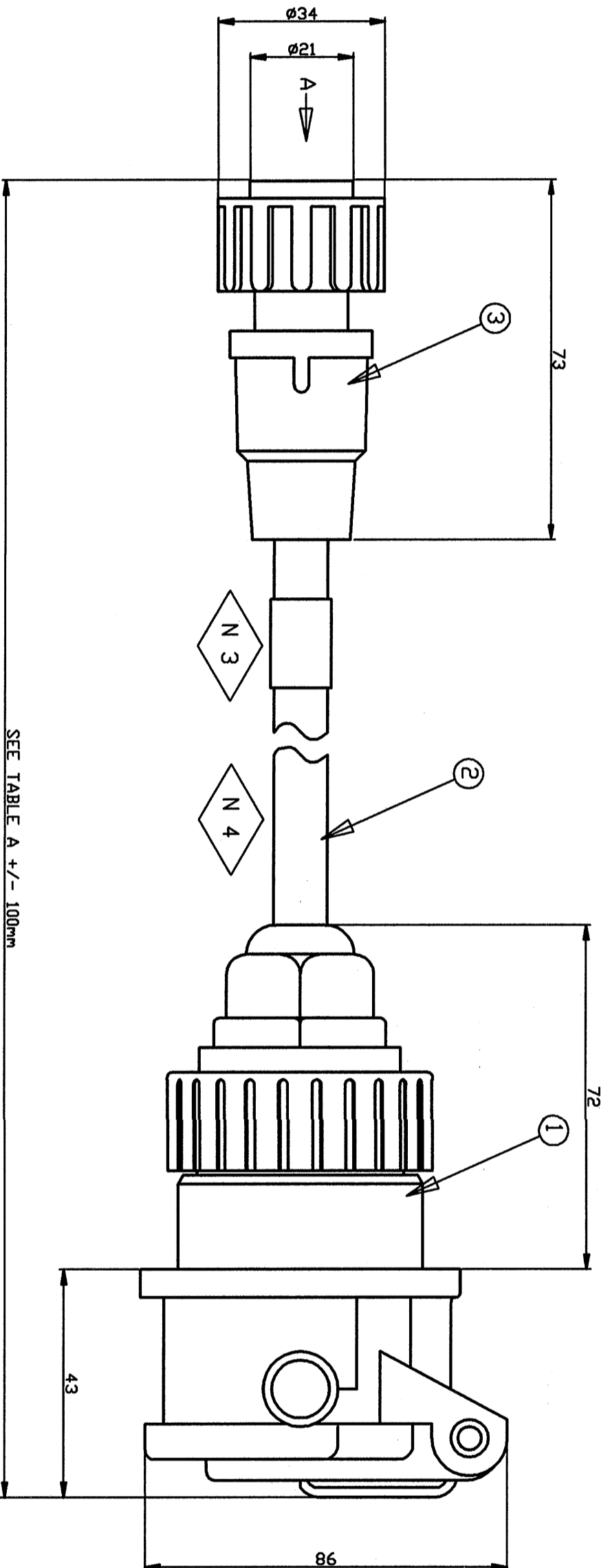
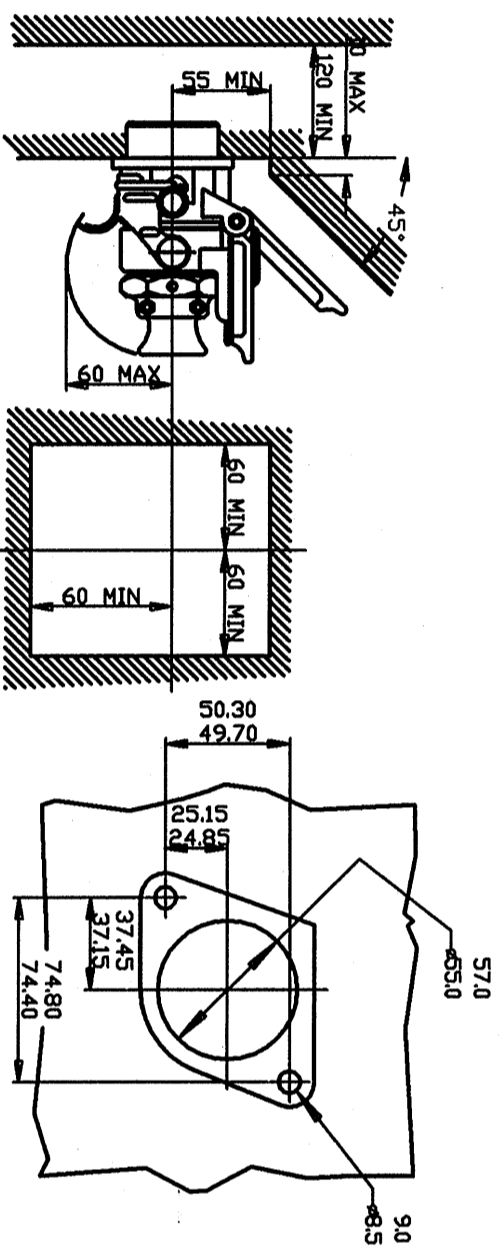


- PIN 1 = RED
- PIN 2 = BLACK
- PIN 3 = YELLOW
- PIN 4 = BROWN
- PIN 5 = WHITE
- PIN 6 = WHITE/GREEN
- PIN 7 = WHITE/BROWN

VIEW ON ARROW A



SEE TABLE A +/- 100µm



CLEARANCE DIMENSIONS

SOCKET MOUNTING DIMENSIONS



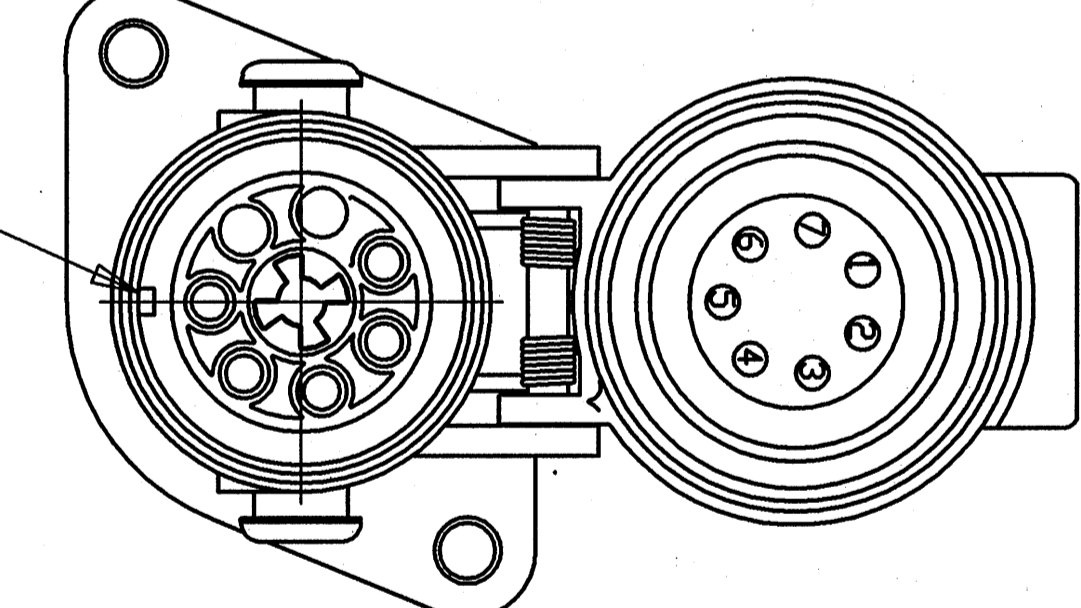
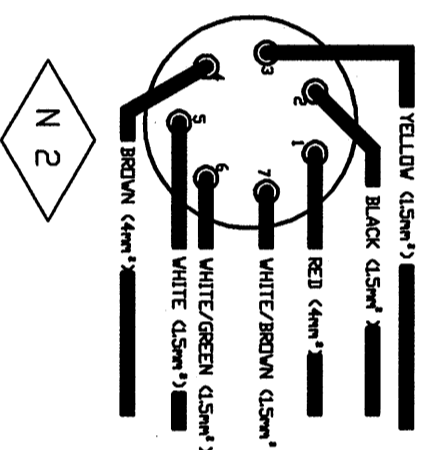
THIS DRAWING/SPECIFICATION USES CLASSIFIED CHARACTERISTIC SYMBOLS DEFINED IN QUALITY PROCEDURE 4.17

TABLE A

HALDEX ASSY No.	LENGTH	ISSUE	DATE
814 003 201	1 MTR	1	21/09/10
814 003 211	12 MTR	1	21/09/10

TABLE B

ITEM No.	DESCRIPTION
1	EBS SOCKET, ISD 7638 24V
2	CABLE, 7 CONDUCTOR (Ø11.5mm)
3	7 PIN SOCKET WITH LOCKING NUT & SEAL



NO.	DESCRIPTION	ISS	CHANGE	CHEC	DATE	ISS	CHANGE	CHEC	DATE
1	PR2046	GIL			21/09/10				

- N1 KEY POSITION DENOTES 24V SYSTEM
- N2 VIEW SHOWING WIRES ON WIRING SIDE OF CONNECTOR
- N3 CABLE IDENTIFICATION.
- N4 SEE TABLE B FOR PARTS LIST
- N5 CONFORMS TO IP67 (BS EN 60529) WHEN FULLY MATED

ISS	CHANGE	CHEC	DATE	ISS	CHANGE	CHEC	DATE

TITLE: ISD 7638 TO 7 PIN SOCKET 24 VOLT CABLE CHART

ORIGINAL SCALE: NTS

DATE: 21.09.10.

APPROVED FOR ISSUE: JPH

DATE: 04/10/10

HAIDEX BRAKE PRODUCTS LTD. MEDNS WHT DRIVE, REDDITCH, WORCS. B98 7HA

PART No. 814 003 200 2

THIS DRAWING/DRAWING IS COPYRIGHT AND THE PROPERTY OF HALDEX BRAKE PRODUCTS LIMITED. IT MUST NOT BE COPIED (IN WHOLE OR IN PART) USED FOR MANUFACTURE OR OTHERWISE DISCLOSED WITHOUT PRIOR WRITTEN CONSENT OF THE COMPANY. ANY COPIES OF THIS DRAWING/DRAWING MADE BY ANY METHOD MUST ALSO INCLUDE A COPY OF THIS LEGEND.

NOTE: UNLESS OTHERWISE STATED THE FOLLOWING APPLIES

- 1 ISD METHOD A
- 2 S.I. UNITS.
- 3 SURFACE FINISH TO BS 308/BS 1134.
- 4 DIMS. APPLY AFTER CHEMICAL OR ELECTRO-PLATED FINISH.
- 5 WELD SYMBOLS TO BS 499.
- 6 DIMENSION DIMENSIONS.
- 7 METRIC THREADS TO BS 3643/DIN 13.
- 8 UNFITED THREADS TO BS 1580.

ASSOCIATED SPECIFICATIONS

MATERIAL	HEAT TREATMENT	FINISH	FURN

DRAWN	DATE	DRN	DATE
GIL	21.09.10.		
JPH			
JPH			

ISS	CHANGE	CHEC	DATE	ISS	CHANGE	CHEC	DATE