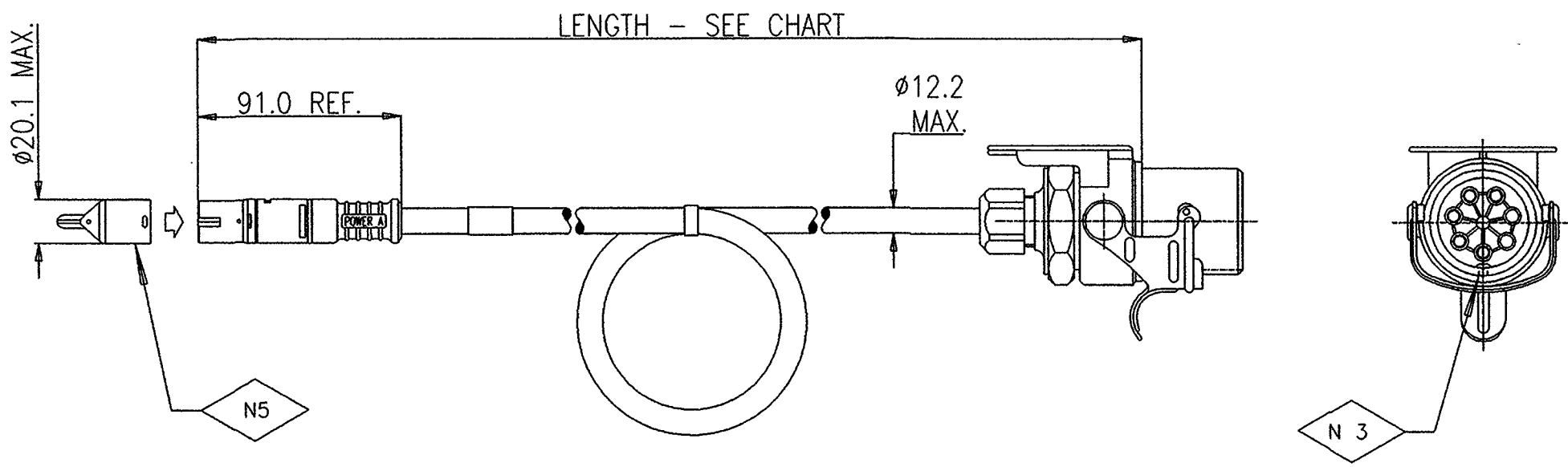


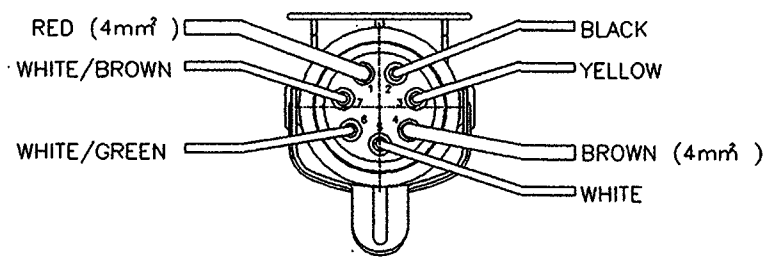
PART No. 814 004 100 2

COMPUTER PRODUCED DRAWING  
MUST NOT BE CHANGED MANUALLY



- N 1 CABLE ASSEMBLY SUPPLIED IN COILED CONDITION AS SHOWN.
- N 3 KEY SLOT POSITION DENOTES 24V SYSTEM.
- N 4 VIEW SHOWING WIRES ON WIRING SIDE OF CONNECTOR.
- N 5 PROTECTIVE CAP - DO NOT REMOVE UNTIL FITMENT TO ECU.

| ASSY NO.    | MATERIAL | LENGTH(MIN) | BPW PART No.  |
|-------------|----------|-------------|---------------|
| 814 004 101 | PUR      | 9M          | -             |
| 814 004 111 | PUR      | 12M         | -             |
| 814 004 121 | PUR      | 15M         | -             |
| 814 004 102 | PVC      | 9M          | 02.1833.02.01 |
| 814 004 112 | PVC      | 12M         | 02.1833.02.02 |
| 814 004 122 | PVC      | 15M         | -             |



**K** **T** **M**  
THIS DRAWING/SPECIFICATION USES CLASSIFIED CHARACTERISTIC SYMBOLS DEFINED IN QUALITY PROCEDURE 4.17

| ISS | CHANGE | CHEC | DATE     | ISS | CHANGE | CHEC | DATE |
|-----|--------|------|----------|-----|--------|------|------|
| 5   | C5485  | JFB  | 01/06/09 |     |        |      |      |
| 4   | C5155  | RCM  | 12-03-07 |     |        |      |      |
| 3   | C4773  | CGS  | 10-05-05 |     |        |      |      |
| 2   | C4624  | CGS  | 07-10-04 |     |        |      |      |
| 1   | PR1402 | CGS  | 30-07-01 |     |        |      |      |

THIS DRAWING/DOCUMENT IS COPYRIGHT AND THE PROPERTY OF HALDEX BRAKE PRODUCTS LIMITED. IT MUST NOT BE COPIED (IN WHOLE OR IN PART) USED FOR MANUFACTURE OR OTHERWISE DISCLOSED WITHOUT PRIOR WRITTEN CONSENT OF THE COMPANY. ANY COPIES OF THIS DRAWING/DOCUMENT MADE BY ANY METHOD MUST ALSO INCLUDE A COPY OF THIS LEGEND. © 2001

NOTE: UNLESS OTHERWISE STATED THE FOLLOWING APPLIES  
 1 ISO METHOD A PROJECTION.  
 2 S.I. UNITS.  
 3 SURFACE FINISH TO BS 308/BS 1134.  
 4 DIMS. APPLY AFTER CHEMICAL OR ELECTRO-PLATED FINISH.  
 5 WELD SYMBOLS TO BS 499.  
 6 D DATUM DIMENSIONS.  
 7 METRIC THREADS TO BS 3643/DIN 13.  
 8 UNIFIED THREADS TO BS 1580.

| ASSOC SPECS.   | DRAWN               |           | DATE     |
|----------------|---------------------|-----------|----------|
|                | CGS                 | Spracklen | 25-07-01 |
| MATERIAL       | CHECKED             |           | DATE     |
|                | R. Malley           |           | 3-6-09   |
| HEAT TREATMENT | APPROVED SPECIALIST |           | DATE     |
|                |                     |           |          |
| FINISH         | APPROVED FOR ISSUE  |           | DATE     |
|                | R. Malley           |           | 3-6-09   |
| FORM           |                     |           |          |

TITLE  
 EB+  
 ISO 7638  
 PLUG ASSY  
 (24V - 7 PIN)  
 ORIGINAL SCALE NTS  
 WAS SHEET 1 OF 1

HALDEX BRAKE PRODUCTS LTD  
 MOONS MOAT DRIVE,  
 MOONS MOAT NORTH,  
 REDDITCH, WORCS.  
 B98 9HA  
**Haldex**  
 PART No. 814 004 100 2  
 A3