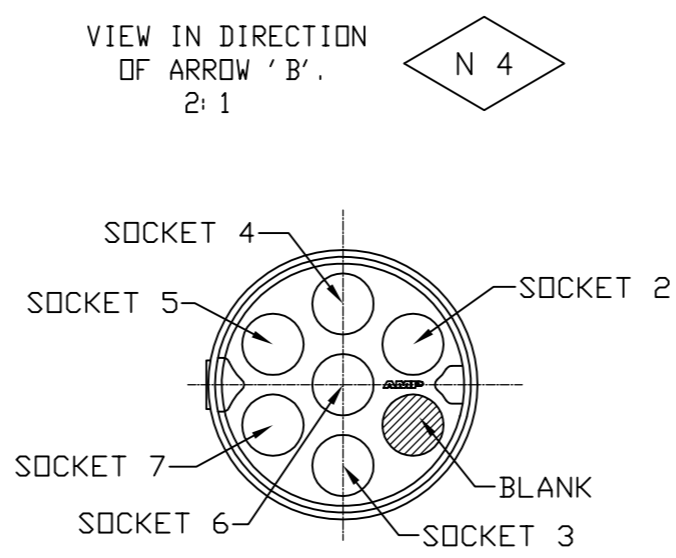
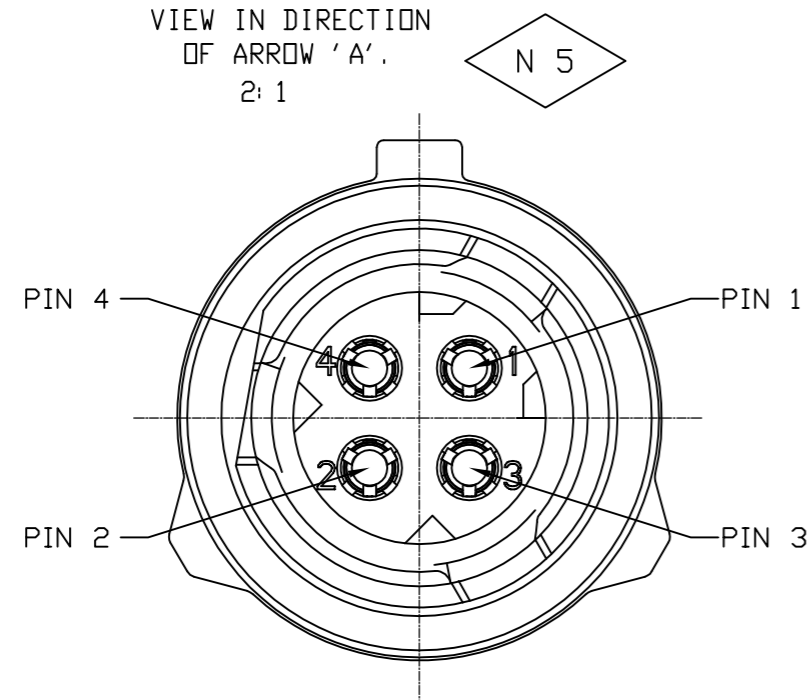
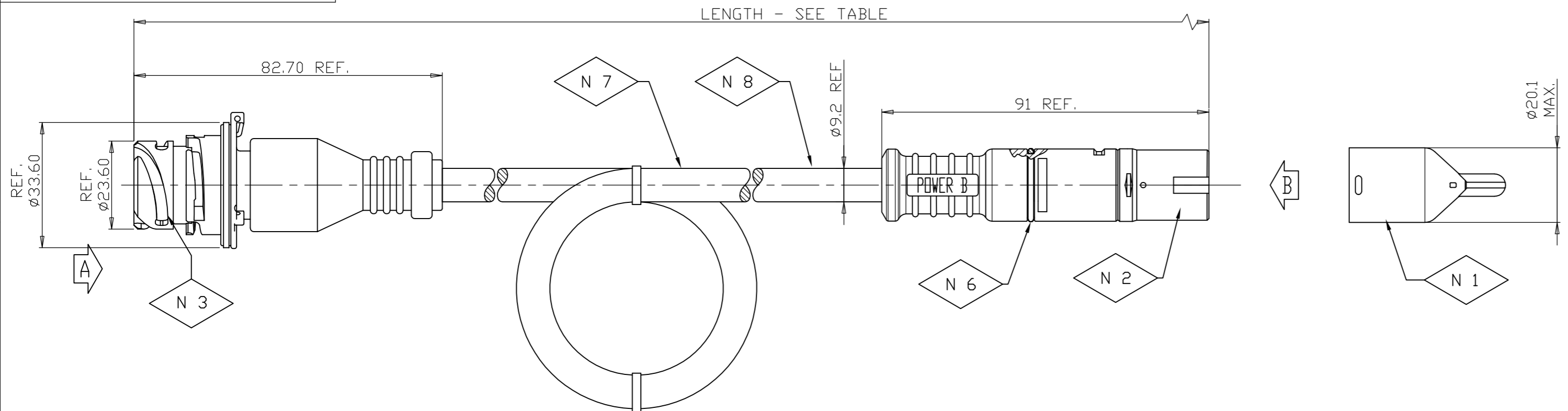


PART No. 814 004 300 2

COMPUTER PRODUCED DRAWING  
MUST NOT BE CHANGED MANUALLY



- N 1 PROTECTIVE CAP - DO NOT REMOVE UNTIL FITMENT TO ECU.
- N 2 POWER B CONNECTOR - BLACK
- N 3 ISO CONNECTOR: ISO 15170-A1-4.1 PLUG
- N 4 POWER B, SOCKET CONFIGURATION:  
 SOCKET 2 - B+ Stoplight (24N)  
 SOCKET 3 - Not used  
 SOCKET 4 - Not used  
 SOCKET 5 - Super Aux B Input (eg. Reversing Light)  
 SOCKET 6 - B- (24N)  
 SOCKET 7 - Super Aux A Input (eg. Traction Support)
- N 5 ISO 15170, PIN CONFIGURATION:  
 PIN 1 - B+ Stoplight (24N)  
 PIN 2 - B- (24N)  
 PIN 3 - Super Aux A Input (eg. Traction Support)  
 PIN 4 - Super Aux B Input (eg. Reversing Light)
- N 6 'O'-RING TO BE PROTECTED FROM DAMAGE PRIOR TO ASSEMBLY.
- N 7 WIRES CROSS-SECTIONAL AREA = 1.5 mm<sup>2</sup>  
CABLE OUTER SHEATH MATERIAL: PVC
- N 8 PART NUMBER IDENTIFICATION.

**K M**  
**T M**  
THIS DRAWING/SPECIFICATION USES CLASSIFIED CHARACTERISTIC SYMBOLS DEFINED IN QUALITY PROCEDURE 4.17

HALDEX ASSY No	LENGTH	WEIGHT	ISS	CHANGE	DATE
814 004 301	1 m	240 g	1	PR1958	18. 01. 10
814 004 311	6 m	1. 04 kg	1	PR1958	18. 01. 10

ISS	CHANGE	CHEC	DATE	ISS	CHANGE	CHEC	DATE
3	C6101_2	MPH	02-07-15				
2	C5861	PL	02. 03. 10				
1	PR1958	JFB	17. 06. 09				

Autocad  
DRAWING

THIS DRAWING/DOCUMENT IS COPYRIGHT AND THE PROPERTY OF HALDEX BRAKE PRODUCTS LIMITED. IT MUST NOT BE COPIED (IN WHOLE OR IN PART) USED FOR MANUFACTURE OR OTHERWISE DISCLOSED WITHOUT PRIOR WRITTEN CONSENT OF THE COMPANY. ANY COPIES OF THIS DRAWING/DOCUMENT MADE BY ANY METHOD MUST ALSO INCLUDE A COPY OF THIS LEGEND.

NOTE: UNLESS OTHERWISE STATED THE FOLLOWING APPLIES  
 1 ISO METHOD A PROJECTION.  
 2 S. I. UNITS.  
 3 SURFACE FINISH TO BS 308/BS 1134.  
 4 DIMS. APPLY AFTER CHEMICAL OR ELECTRO-PLATED FINISH.  
 5 WELD SYMBOLS TO BS 499.  
 6 D DATUM DIMENSIONS.  
 7 METRIC THREADS TO BS 3643/DIN 13.  
 8 UNIFIED THREADS TO BS 1580.

ASSOCIATED SPECIFICATIONS


MATERIAL

HEAT TREATMENT	
FINISH	
FORM	

DRAWN

H S UHBI	DATE	16. 09. 08
CHECKED <i>Kalpe</i>	DATE	07/07/15
APPROVED SPECIALIST <i>M. Holder</i>	DATE	02/07/15
APPROVED FOR ISSUE <i>IST</i>	DATE	10/08/15

TITLE  
EB+ GEN2  
POWER B TO ISO 15170  
4-POLE SUPER AUX CABLE

ORIGINAL SCALE NTS  
WAS  
SHEET 1 OF 1

HALDEX BRAKE PRODUCTS LTD.  
MIRA TECHNOLOGY PARK, LINDLEY, WARKS. CV13 6DE  
PART No. 814 004 300 2