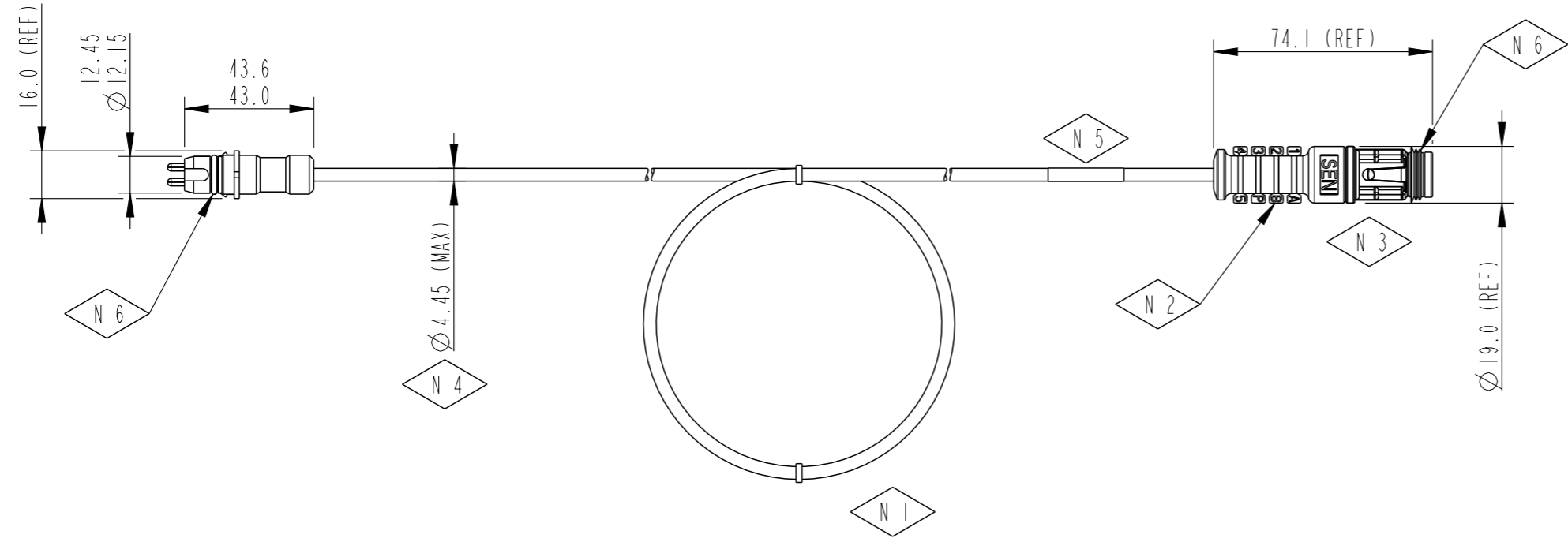


PART No. **814_004_400_2**

**COMPUTER PRODUCED DRAWING
MUST NOT BE CHANGED MANUALLY**

- N 1 CABLE SUPPLIED IN COILED CONDITION AS SHOWN.
- N 2 REFER TO INSTALLATION/SERVICE MANUAL FOR TAG REMOVAL.
- N 3 CONFORMS TO IP67 (BS EN 60529) WHEN MATED WITH EB+ ECU.
- N 4 CABLE INSULATION MATERIAL - PUR WIRE CORE CROSS SECTIONAL AREA - 0.50mm².
- N 5 PART NUMBER IDENTIFICATION.
- N 6 SEALS TO BE PROTECTED FROM DAMAGE PRIOR TO ASSEMBLY.



ASSY No.	CABLE LENGTH
814 004 401	3.0m
814 004 411	6.0m
814 004 421	2.0m
814 004 431	10.0m
814 004 441	14.0m
814 004 451	8.0m
814 004 461	12.0m
814 004 471	4.0m

THIS DRAWING/SPECIFICATION USES CLASSIFIED CHARACTERISTIC SYMBOLS DEFINED IN QUALITY PROCEDURE 4.17

TO VIEW CHANGE INFORMATION, ACCESS THE ENGINEERING DOCUMENT DATABASE (EDD) & INPUT THE RELEVANT NUMBER BELOW. EXAMPLE 'C6500'.

ISS	CHANGE	CHEC	DATE	ISS	CHANGE	CHEC	DATE
7	C5370	CGS	11/02/08				
6	C4525	DMS	13/05/04				
5	C4377	CGS	12/08/03				
4	C4229	PTC	04/12/02				
3	C4227	CGS	27/11/02				
2	C3829	CGS	01/06/01	9	C6541	MPH	30/10/15
1	PR1321	CGS	16/02/01	8	C5485	HSU	27/10/08

THIS DRAWING/DOCUMENT IS COPYRIGHT AND THE PROPERTY OF HALDEX BRAKE PRODUCTS LIMITED. IT MUST NOT BE COPIED (IN WHOLE OR IN PART) USED FOR MANUFACTURE OR OTHERWISE DISCLOSED WITHOUT PRIOR WRITTEN CONSENT OF THE COMPANY. ANY COPIES OF THIS DRAWING/DOCUMENT MADE BY ANY METHOD MUST ALSO INCLUDE A COPY OF THIS LEGEND. © 2015

NOTE: UNLESS OTHERWISE STATED THE FOLLOWING APPLIES

- ISO METHOD A PROJECTION.
- S.I. UNITS.
- SURFACE FINISH TO BS 308/BS 1134.
- DIMS. APPLY AFTER CHEMICAL OR ELECTRO-PLATED FINISH.
- WELD SYMBOLS TO BS 499.
- D DATUM DIMENSIONS.
- METRIC THREADS TO BS 3643/DIN 13.
- UNIFIED THREADS TO BS 1580.

PRO ENGINEER PART

ASSOC SPECS.	BS EN 60529		
MATERIAL	-	MODEL:	DATE:
HEAT TREATMENT	-	DRAWN: M. HOLDER	DATE: 29/10/15
FINISH	-	CHECKED	DATE: 04/03/16
FORM	-	APPROVED SPECIALIST	DATE: 04/03/16
		APPROVED FOR ISSUE	DATE: 04/03/16

**SENSOR CABLE
EB+ / UABS**

SCALE: 1:2

WAS: -

SHEET 1 OF 1

HALDEX BRAKE PRODUCTS LTD
MIRA TECHNOLOGY PARK,
LINDLEY,
WARWICKSHIRE,
CV13 6DE

Haldex

PART No. **814_004_400_2**

A3