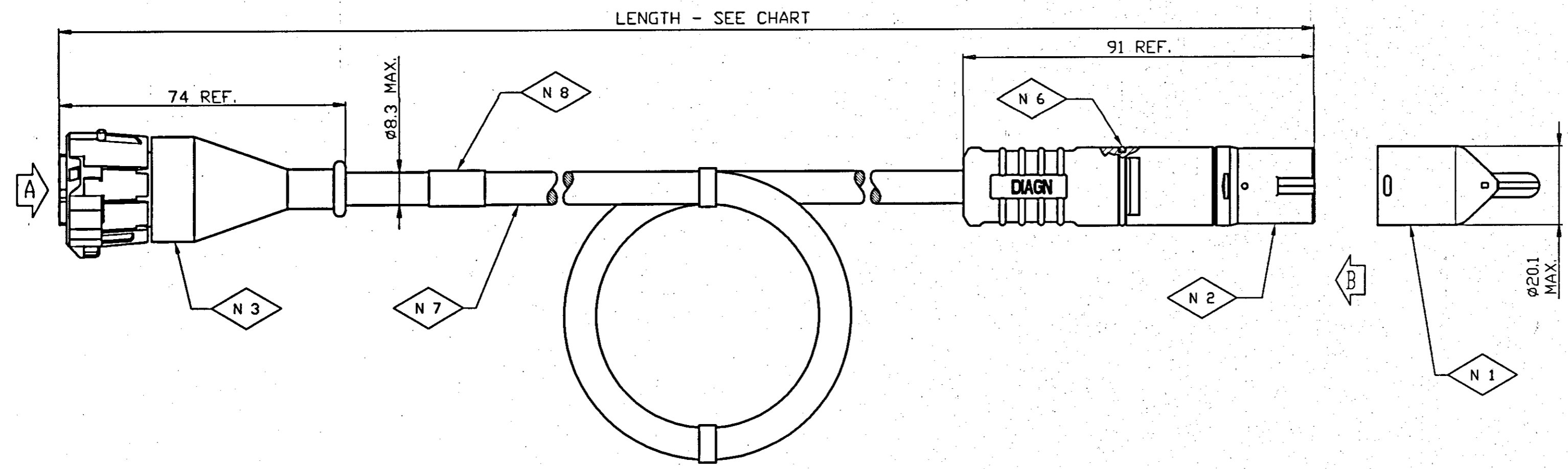


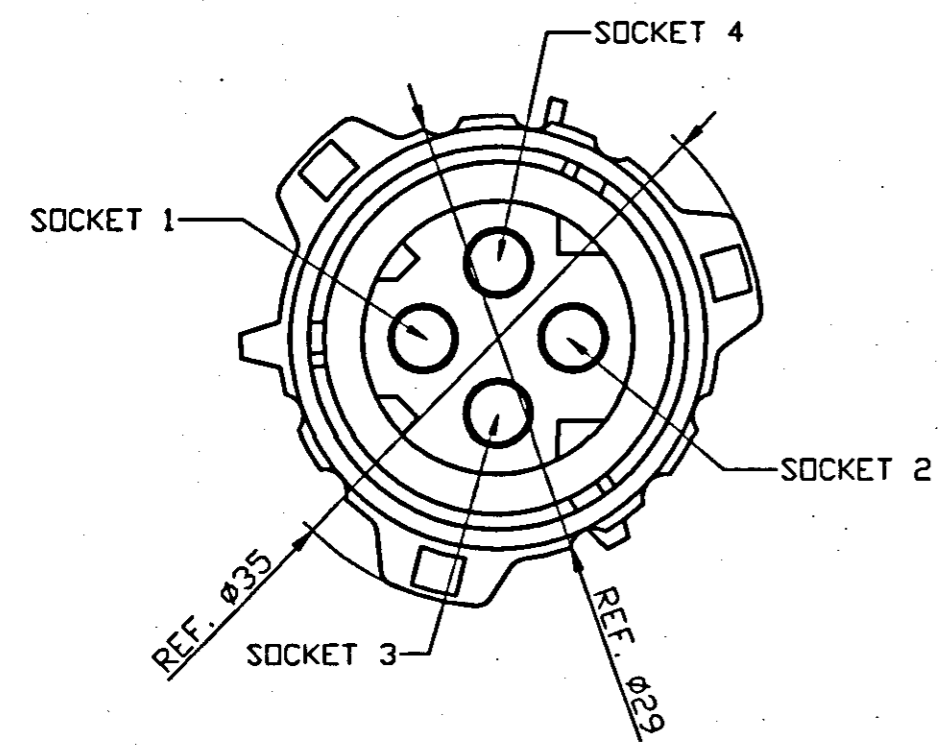
814 006 300 2

PART No.
814 006 300 - 2

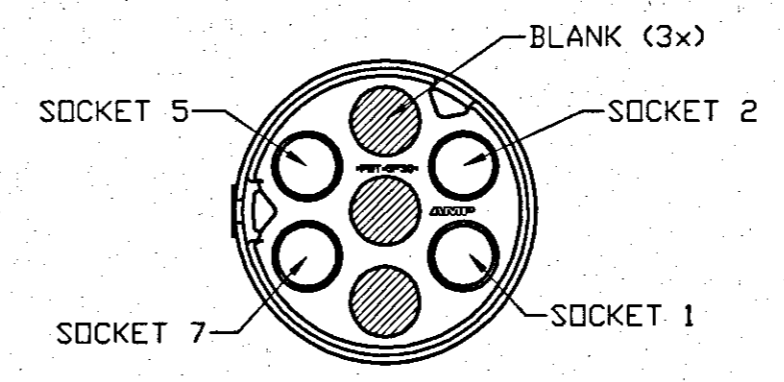
COMPUTER PRODUCED DRAWING
MUST NOT BE CHANGED MANUALLY



- N 1 PROTECTIVE CAP - DO NOT REMOVE UNTIL FITMENT TO ECU.
- N 2 DIAGN CONNECTOR (GREEN).
- N 3 ISO CONNECTOR: ISO 15170-B1-4.1
- N 4 ISO 15170, CONNECTOR CONFIGURATION:
SOCKET 1 - 24V
SOCKET 2 - B-
SOCKET 3 - CAN H
SOCKET 4 - CAN L
- N 5 DIAGN, SOCKET CONFIGURATION:
SOCKET 1 - 24V
SOCKET 2 - CAN H
SOCKET 5 - CAN L
SOCKET 7 - B-
- N 6 'D'-RING TO BE PROTECTED FROM DAMAGE PRIOR TO ASSEMBLY.
- N 7 WIRE CROSS-SECTIONAL AREA = 0.75 mm² CABLE OUTER SHEATH MATERIAL: PVC
- N 8 PART NUMBER IDENTIFICATION



VIEW IN DIRECTION OF ARROW 'A'.
2:1



VIEW IN DIRECTION OF ARROW 'B'.
2:1

ASSY NO	LENGTH	ISS	CHANGE	DATE
814 006 301	1.0 m	1	PR1958	28.01.08
814 006 311	12.0m	1	PR1990	15.12.08

THIS DRAWING/SPECIFICATION USES CLASSIFIED CHARACTERISTIC SYMBOLS DEFINED IN QUALITY PROCEDURE 4.17

ISS	CHANGE	CHEC	DATE	ISS	CHANGE	CHEC	DATE
2	C5507	HSU	15.12.08				
1	PR1958	HSU	15.08.08				

AutoCAD PART

THIS DRAWING/DRAWING IS COPYRIGHT AND THE PROPERTY OF HALDEX BRAKE PRODUCTS LIMITED. IT MUST NOT BE COPIED (IN WHOLE OR IN PART) USED FOR MANUFACTURE OR OTHERWISE DISCLOSED WITHOUT PRIOR WRITTEN CONSENT OF THE COMPANY. ANY COPIES OF THIS DRAWING/DRAWING MADE BY ANY METHOD MUST ALSO INCLUDE A COPY OF THIS LEGEND.

© 2008

NOTE: UNLESS OTHERWISE STATED THE FOLLOWING APPLIES

- ISO METHOD A PROJECTION
- S.I. UNITS.
- SURFACE FINISH TO BS 308/BS 1134.
- DIMS. APPLY AFTER CHEMICAL OR ELECTRO-PLATED FINISH.
- WELD SYMBOLS TO BS 499.
- D DATUM DIMENSIONS.
- METRIC THREADS TO BS 3643/DIN 13.
- UNIFIED THREADS TO BS 1580.

ASSOCIATED SPECIFICATIONS

MATERIAL	HEAT TREATMENT	FINISH	FORM
-	-	-	-
-	-	-	-
-	-	-	-
-	-	-	-

DRAWN	CHECKED	APPROVED SPECIALIST	APPROVED FOR ISSUE
P LEHEL	RC Mallaby	MJ Parker	RC Mallaby

DATE	DATE	DATE	DATE
28.01.08	15.12.08	15.12.08	15.12.08

TITLE
EB+ GEN2
DIAGN TO ISO 15170
4 - POLE TELEMATIC CABLE

ORIGINAL SCALE
1:1

WAS
SHEET 1 OF 1

HALDEX
HALDEX BRAKE PRODUCTS LTD.
MOONS MOAT DRIVE, REDDITCH, WORCS. B98 7HA

PART No.
814 006 300 - 2