

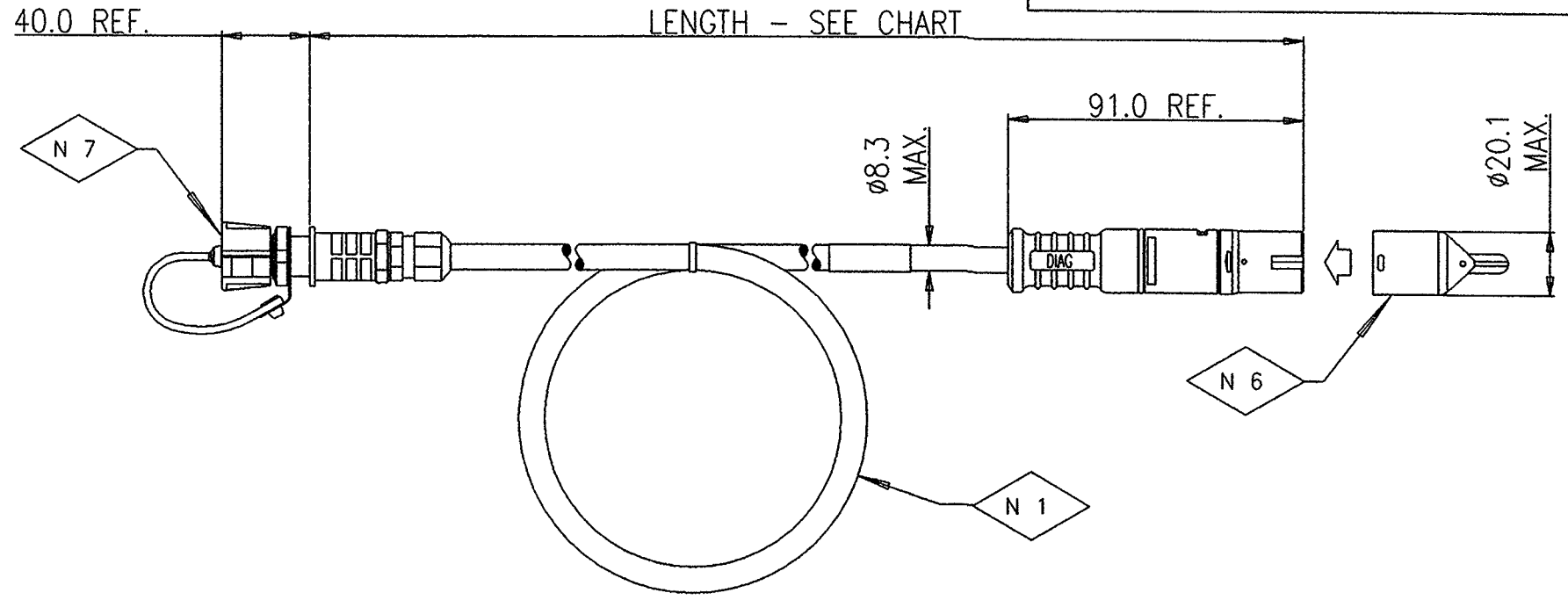
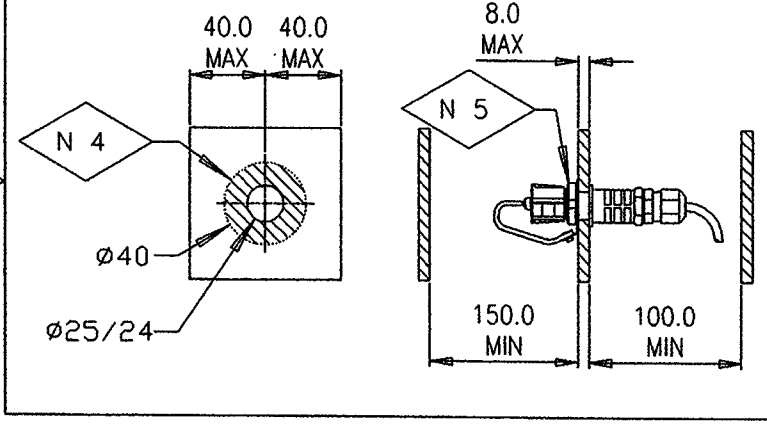
PART No. 814 010 000 2

COMPUTER PRODUCED DRAWING  
MUST NOT BE CHANGED MANUALLY

- N 1 CABLE ASSEMBLY SUPPLIED IN COILED CONDITION AS SHOWN.
- N 3 REQUIRED CLEARANCE FOR INFO CENTRE CONNECTOR.
- N 4 SHADED AREA AROUND HOLE TO BE FLAT AND FREE FROM RAISED MARKINGS OR SURFACE IMPERFECTIONS WHICH MAY PREVENT FLUSH FITTING OF THE CONNECTOR.
- N 5 PLASTIC NUT TO BE TIGHTENED TO A TORQUE OF 4.00/3.50Nm.
- N 6 PROTECTIVE CAP - DO NOT REMOVE UNTIL FITMENT TO ECU.
- N 7 DUSTCAP TO BE FITTED WHEN 'INFO CENTRE IS' NOT CONNECTED.

**K** **M**  
**T** THIS DRAWING/SPECIFICATION USES CLASSIFIED CHARACTERISTIC SYMBOLS DEFINED IN QUALITY PROCEDURE 4.17.

ISS	CHANGE	CHEC	DATE	ISS	CHANGE	CHEC	DATE
6	C5485	JFB	02/06/09				
5	C5155	RCM	12-03-07				
4	C4668	DMS	07-12-04				
3	C4624	CGS	07-10-04				
2	C4514	DMS	19-04-04				
1	PR1507	CGS	14-03-03				



ASSY. No.	LENGTH (MIN)	CABLE MATERIAL	BPW PART No.	ASSY. No.	LENGTH (MIN)	CABLE MATERIAL	BPW PART No.
814 010 001	6.5M	PUR	-	814 010 101	6.5M	PVC	02.1833.08.02
814 010 011	2.5M	PUR	-	814 010 111	2.5M	PVC	02.1833.08.01
814 010 021	5.0M	PUR	-	814 010 121	5.0M	PVC	-
814 010 031	15.0M	PUR	-	814 010 131	15.0M	PVC	-

THIS DRAWING/DOCUMENT IS COPYRIGHT AND THE PROPERTY OF HALDEX BRAKE PRODUCTS LIMITED. IT MUST NOT BE COPIED (IN WHOLE OR IN PART) USED FOR MANUFACTURE OR OTHERWISE DISCLOSED WITHOUT PRIOR WRITTEN CONSENT OF THE COMPANY. ANY COPIES OF THIS DRAWING/DOCUMENT MADE BY ANY METHOD MUST ALSO INCLUDE A COPY OF THIS LEGEND. © 2003

- NOTE: UNLESS OTHERWISE STATED THE FOLLOWING APPLIES
- 1 ISO METHOD A  $\oplus$  PROJECTION.
  - 2 S.I. UNITS.
  - 3 SURFACE FINISH TO BS 308/BS 1134.
  - 4 DIMS. APPLY AFTER CHEMICAL OR ELECTRO-PLATED FINISH.
  - 5 WELD SYMBOLS TO BS 499.
  - 6 D DATUM DIMENSIONS.
  - 7 METRIC THREADS TO BS 3643/DIN 13.
  - 8 UNIFIED THREADS TO BS 1580.

ASSOC SPECS.	DATE	DATE
MATERIAL	CGSpracklen	14-03-03
HEAT TREATMENT	R. Malloy	3-6-09
FINISH	APPROVED SPECIALIST	DATE
FORM	APPROVED FOR ISSUE	DATE

TITLE  
EB+  
INFO/ECU CABLE  
ASSEMBLY  
ORIGINAL SCALE  
WAS  
NTS  
SHEET 1 OF 1

HALDEX BRAKE PRODUCTS LTD  
MOONS MOAT DRIVE,  
MOONS MOAT NORTH,  
REDDITCH, WORCS.  
B98 9HA  
**Haldex**  
PART No.  
814 010 000 2  
A3