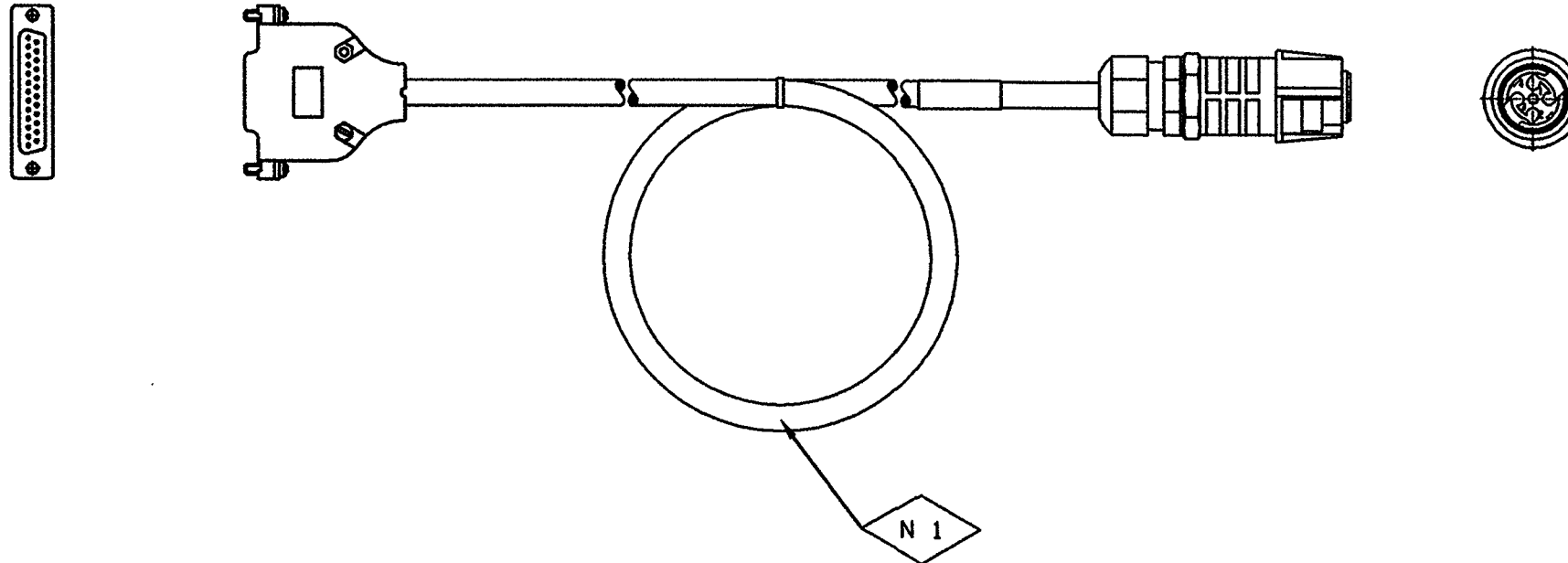


PART No.
814 011 000 2

COMPUTER PRODUCED DRAWING
MUST NOT BE CHANGED MANUALLY

N 1 CABLE ASSEMBLY SUPPLIED IN COILED
CONDITION AS SHOWN



HALDEX ASSY No	BPW ASSY No	LENGTH (MIN)	CABLE MATERIAL
814 011 001	02. 1833. 08. 06	6. 5m	PUR
814 011 011	02. 1833. 08. 07	15m	PUR

TM
THIS DRAWING/SPECIFICATION USES
CLASSIFIED CHARACTERISTIC SYMBOLS
DEFINED IN QUALITY PROCEDURE 4. 17

ISS	CHANGE	CHEC	DATE	ISS	CHANGE	CHEC	DATE
2	C5485	HSU	28. 10. 08				
1	PR1665	DMS	08. 12. 04				

AutoCAD PART
THIS DRAWING/DOCUMENT IS
COPYRIGHT AND THE PROPERTY OF
HALDEX BRAKE PRODUCTS LIMITED.
IT MUST NOT BE COPIED (IN WHOLE
OR IN PART) USED FOR MANUFACTURE
OR OTHERWISE DISCLOSED WITHOUT
PRIOR WRITTEN CONSENT OF THE
COMPANY. ANY COPIES OF THIS
DRAWING/DOCUMENT MADE BY ANY
METHOD MUST ALSO INCLUDE A COPY
OF THIS LEGEND. ©2008

NOTE: UNLESS OTHERWISE STATED THE FOLLOWING APPLIES
1 ISO METHOD A PROJECTION.
2 S. I. UNITS.
3 SURFACE FINISH TO BS 308/BS 1134.
4 DIMS. APPLY AFTER CHEMICAL OR ELECTRO-PLATED FINISH.
5 WELD SYMBOLS TO BS 499.
6 D DATUM DIMENSIONS.
7 METRIC THREADS TO BS 3643/DIN 13.
8 UNIFIED THREADS TO BS 1580.

ASSOCIATED SPECIFICATIONS
-
-
-
-
-
-

MATERIAL
-
HEAT TREATMENT
-
FINISH
-
FORM
-

DRAWN D. SKIPPER	DATE 08. 12. 04
CHECKED R. Malholby	DATE 3-6-09
APPROVED SPECIALIST	DATE
APPROVED FOR ISSUE R. Malholby	DATE 3-6-09

TITLE
VEHICLE TO PC - INTERFACE CABLE ASSEMBLY EB+
ORIGINAL SCALE NTS
WAS -
SHEET 1 OF 1

Haldex
HALDEX BRAKE PRODUCTS LTD.
MOONS NOAT DRIVE, REDBITCH, WORCS. B98 7HA
PART No.
814 011 000 2

N 1