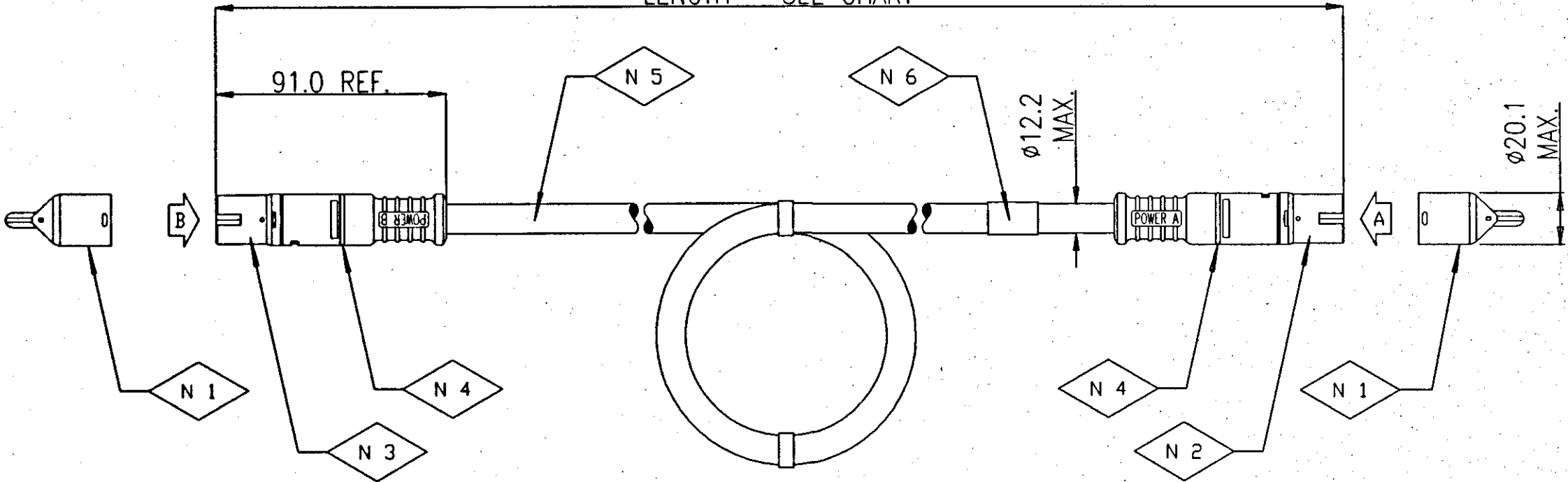


814 017 3002

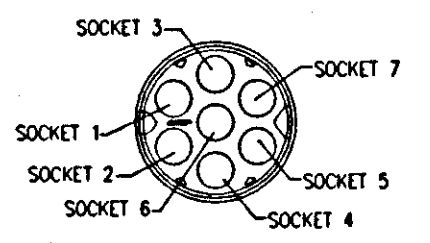
PART No. 814 017 300 2

COMPUTER PRODUCED DRAWING
MUST NOT BE CHANGED MANUALLY

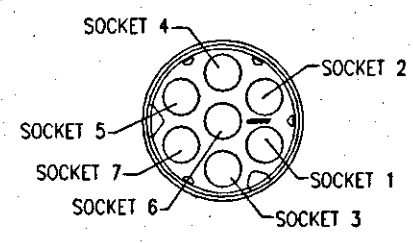
LENGTH - SEE CHART



- N 1 PROTECTIVE CAP - DO NOT REMOVE UNTIL FITMENT TO ECU.
- N 2 POWER A - CONNECTOR (BLUE) SOCKET CONFIGURATION
 SOCKET 1 : B+ P
 SOCKET 2 : B-
 SOCKET 3 : CAN L
 SOCKET 4 : B+ IGN
 SOCKET 5 : LAMP
 SOCKET 6 : B-
 SOCKET 7 : CAN L
- N 3 POWER B - CONNECTOR (RED) SOCKET CONFIGURATION
 SOCKET 1 : B-
 SOCKET 2 : B+ P
 SOCKET 3 : B+ LAMP
 SOCKET 4 : CAN L
 SOCKET 5 : CAN H
 SOCKET 6 : B-
 SOCKET 7 : LAMP
- N 4 'O'-RINGS TO BE PROTECTED FROM DAMAGE
PRIOR TO ASSEMBLY.
- N 5 WIRES CROSS-SECTIONAL AREA = 5 x 1.5mm²
WIRES CROSS-SECTIONAL AREA = 2 x 4.00mm²
- N 6 PART NUMBER IDENTIFICATION



N 3 VIEW IN DIRECTION OF ARROW 'B'. FULL SIZE



N 2 VIEW IN DIRECTION OF ARROW 'A'. FULL SIZE

ASSY NO	LENGTH (MIN)	CABLE MATERIAL
814 017 301	10m	PUR
814 017 311	20m	PUR
814 017 321	40m	PUR

ASSY NO	LENGTH (MIN)	CABLE MATERIAL
814 017 302	10m	PVC
814 017 312	20m	PVC
814 017 322	40m	PVC

THIS DRAWING/SPECIFICATION USES CLASSIFIED CHARACTERISTIC SYMBOLS DEFINED IN QUALITY PROCEDURE 4.17

ISS	CHANGE	CHEC	DATE	ISS	CHANGE	CHEC	DATE
1	PR1958	HSU	01/07/08				

AutoCAD PART
THIS DRAWING/DOCUMENT IS COPYRIGHT AND THE PROPERTY OF HALDEX BRAKE PRODUCTS LIMITED. IT MUST NOT BE COPIED (IN WHOLE OR IN PART) USED FOR MANUFACTURE OR OTHERWISE DISCLOSED WITHOUT PRIOR WRITTEN CONSENT OF THE COMPANY. ANY COPIES OF THIS DRAWING/DOCUMENT MADE BY ANY METHOD MUST ALSO INCLUDE A COPY OF THIS LEGEND. © 2008

NOTE: UNLESS OTHERWISE STATED THE FOLLOWING APPLIES
 1 ISO METHOD A PROJECTION
 2 S. I. UNITS
 3 SURFACE FINISH TO BS 308/BS 1134.
 4 DIMS. APPLY AFTER CHEMICAL OR ELECTRO-PLATED FINISH.
 5 WELD SYMBOLS TO BS 499.
 6 DATUM DIMENSIONS.
 7 METRIC THREADS TO BS 3643/DIN 13.
 8 UNIFIED THREADS TO BS 1580.

ASSOCIATED SPECIFICATIONS

MATERIAL
HEAT TREATMENT
FINISH
FORM
ASSEMBLY

DRAWN	DATE
HS Ubhi	01/07/08
CHECKED	DATE
RC Mallaby	01/07/08
APPROVED SPECIALIST	DATE
MJ Parker	01/07/08
APPROVED FOR ISSUE	DATE
RC Mallaby	01/07/08

TITLE
EB+ CAN REPEATER
LINK CABLE ASSEMBLY
(7 - CORE CABLE)
ORIGINAL SCALE
1:2
SHEET 1 OF 1

Haldex
 HALDEX BRAKE PRODUCTS LTD.
 MOONS MOAT DRIVE, REDDITCH, WORCS. B98 7HA
 PART No. 814 017 300 2