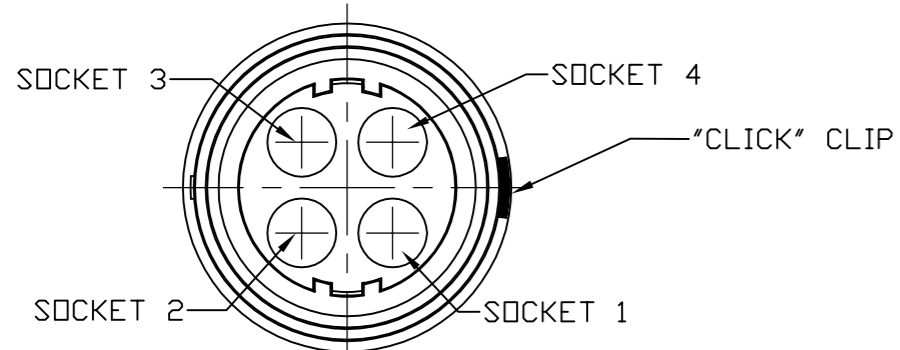
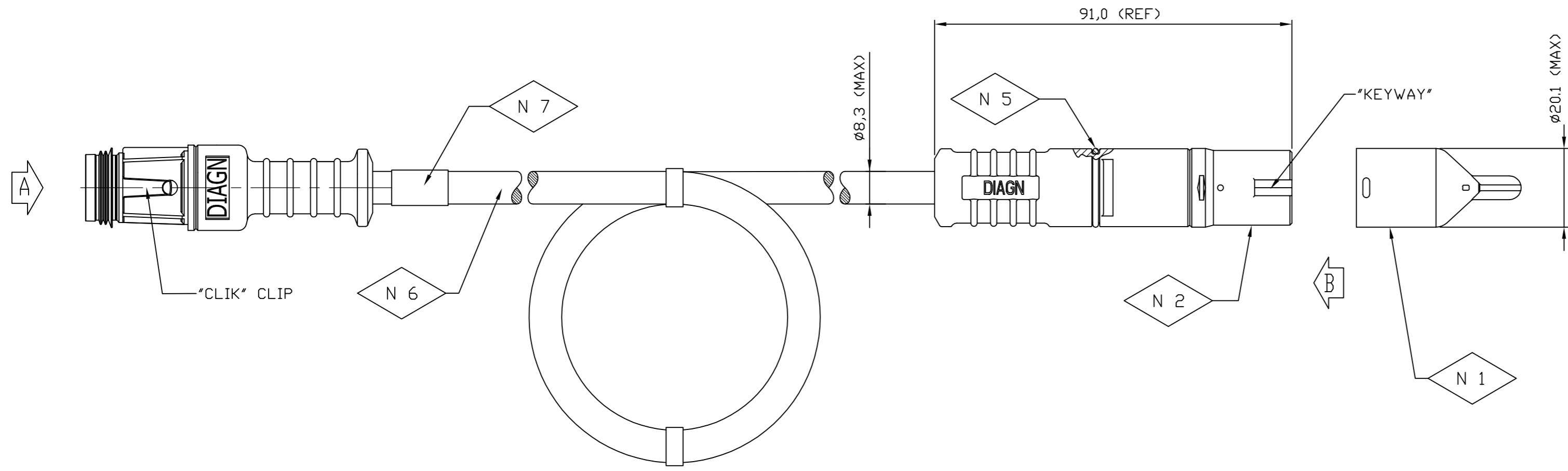
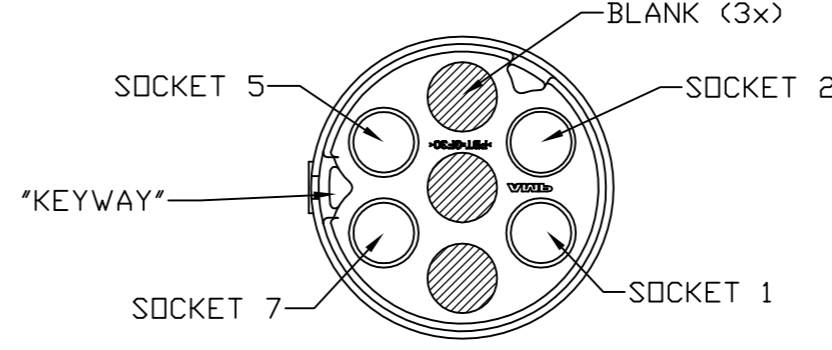


PART No.
814 019 000 2

COMPUTER PRODUCED DRAWING
MUST NOT BE CHANGED MANUALLY



VIEW IN DIRECTION
OF ARROW 'A'.
2 : 1



VIEW IN DIRECTION
OF ARROW 'B'.
2 : 1

ASSY NO	LENGTH
814 019 001	6550/6500 mm
814 019 011	1550/1500 mm
814 019 021	8050/7950 mm
814 019 031	14050/13950 mm

- N01 DO NOT REMOVE UNTIL FITMENT TO ECU.
- N02 DIAGN CONNECTOR (GREEN).
- N03 DIAGN CONNECTOR CONFIGURATION :
SOCKET 1 : B+
SOCKET 2 : CAN H
SOCKET 5 : CAN L
SOCKET 7 : B-
- N04 SOCKET CONFIGURATION :
SOCKET 1 : CAN L
SOCKET 2 : B-
SOCKET 3 : B+
SOCKET 4 : CAN H
- N05 "O" RING TO BE PROTECTED FROM DAMAGE PRIOR TO ASSEMBLY.
- N06 WIRE CROSS SECTIONAL AREA 0.75mm², CABLE OUTER SHEATH MATERIAL : PVC
- N07 PART NUMBER IDENTIFICATION.

THIS DRAWING/SPECIFICATION USES
CLASSIFIED CHARACTERISTIC SYMBOLS
DEFINED IN QUALITY PROCEDURE 4.17

ISS	CHANGE	CHEC	DATE	ISS	CHANGE	CHEC	DATE
4	C6476	MR	19-07-13				
3	C6217	MPH	19-04-12				
2	C5792	PL	12-11-09				
1	PR1969	PL	02-06-09				

AutoCAD PART

THIS DRAWING/DOCUMENT IS
COPYRIGHT AND THE PROPERTY OF
HALDEX BRAKE PRODUCTS LIMITED.
IT MUST NOT BE COPIED (IN WHOLE
OR IN PART) USED FOR MANUFACTURE
OR OTHERWISE DISCLOSED WITHOUT
PRIOR WRITTEN CONSENT OF THE
COMPANY. ANY COPIES OF THIS
DRAWING/DOCUMENT MADE BY ANY
METHOD MUST ALSO INCLUDE A COPY
OF THIS LEGEND.

NOTE: UNLESS OTHERWISE STATED THE FOLLOWING APPLIES
1 ISO METHOD A PROJECTION.
2 S. I. UNITS.
3 SURFACE FINISH TO BS 308/BS 1134.
4 DIMS. APPLY AFTER CHEMICAL OR ELECTRO-PLATED FINISH.
5 WELD SYMBOLS TO BS 499.
6 D DATUM DIMENSIONS.
7 METRIC THREADS TO BS 3643/DIN 13.
8 UNIFIED THREADS TO BS 1580.

ASSOCIATED SPECIFICATIONS
-

MATERIAL
HEAT TREATMENT
FINISH
FORM

DRAWN	DATE
P Lehel	02. 06. 09
CHECKED	DATE
	19/07/13
APPROVED SPECIALIST	DATE
JPH	19/07/13
APPROVED FOR ISSUE	DATE
JPH	19/07/13

TITLE
INFO CENTRE 2 CABLE ASSEMBLY
ORIGINAL SCALE
1 : 1
WAS
-
SHEET 1 OF 1

Haldex
HALDEX BRAKE PRODUCTS LTD.
MOONS MOAT DRIVE, REDDITCH, WORCS. B98 7HA
PART No.
814 019 000 2