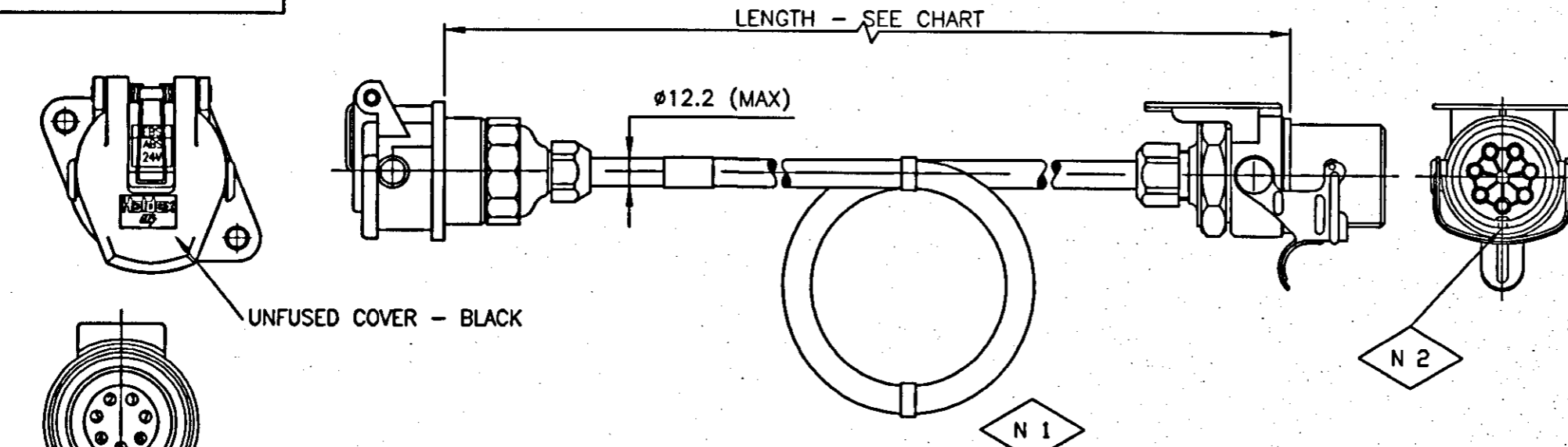


814 022 000 2

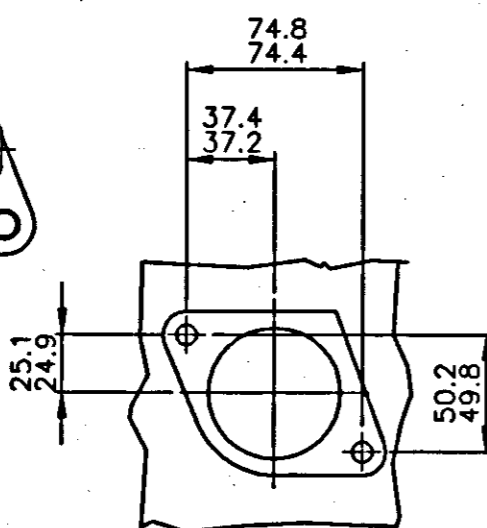
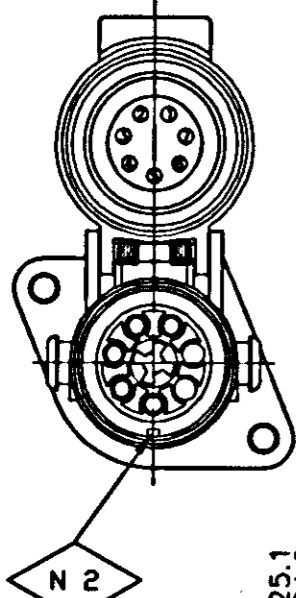
PART No.
814 022 000 2

COMPUTER PRODUCED DRAWING
MUST NOT BE CHANGED MANUALLY

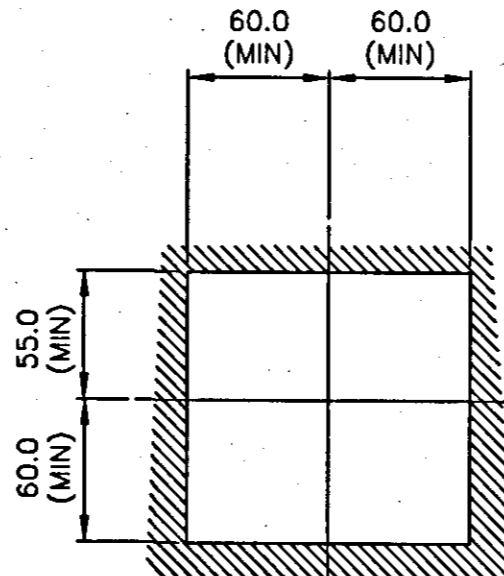
- N 1 CABLE ASSEMBLY SUPPLIED IN COILED CONDITION AS SHOWN
- N 2 KEY SLOT POSITION DENOTES 24V SYSTEM
- N 3 VIEW SHOWING WIRES ON WIRING SIDE OF CONNECTOR
- N 4 CONFORMS TO IP67 (BS EN 60529) WHEN MATED WITH EB+ ECU



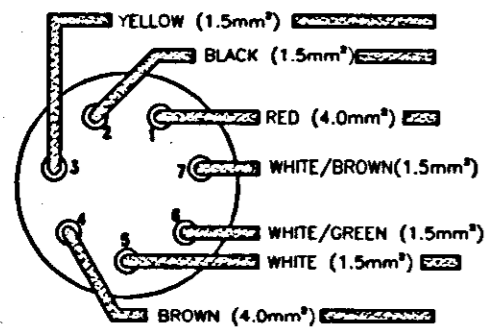
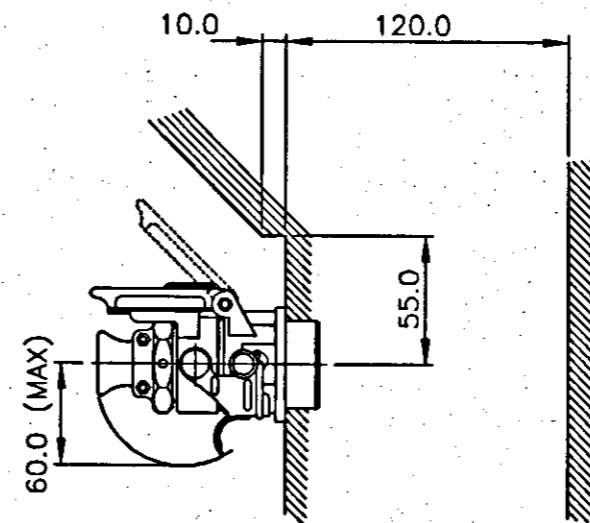
UNFUSED COVER - BLACK



SOCKET MOUNTING DIMENSIONS

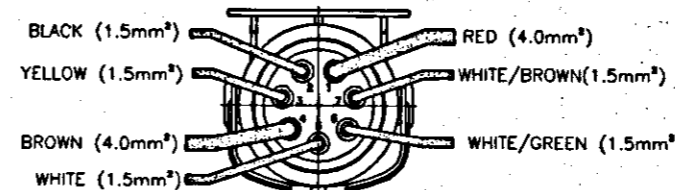


CLEARANCE DIMENSIONS



N 3

| CABLE MATERIAL | LENGTH (MIN) | ASSY No. |
|----------------|--------------|-------------|
| PVC | 30m | 814 022 001 |



N 3

N 4

THIS DRAWING/SPECIFICATION USES CLASSIFIED CHARACTERISTIC SYMBOLS DEFINED IN QUALITY PROCEDURE 4.17

| ISS | CHANGE | CHEC | DATE | ISS | CHANGE | CHEC | DATE |
|-----|--------|------|------------|-----|--------|------|------|
| 1 | PR1979 | HSU | 20. 10. 08 | | | | |

AutoCAD PART

THIS DRAWING/DOCUMENT IS COPYRIGHT AND THE PROPERTY OF HALDEX BRAKE PRODUCTS LIMITED. IT MUST NOT BE COPIED (IN WHOLE OR IN PART) USED FOR MANUFACTURE OR OTHERWISE DISCLOSED WITHOUT PRIOR WRITTEN CONSENT OF THE COMPANY. ANY COPIES OF THIS DRAWING/DOCUMENT MADE BY ANY METHOD MUST ALSO INCLUDE A COPY OF THIS LEGEND. ©2008

NOTE: UNLESS OTHERWISE STATED THE FOLLOWING APPLIES
 1 ISO METHOD A PROJECTION.
 2 S.I. UNITS.
 3 SURFACE FINISH TO BS 308/BS 1134.
 4 DIMS. APPLY AFTER CHEMICAL OR ELECTRO-PLATED FINISH.
 5 WELD SYMBOLS TO BS 499.
 6 DATUM DIMENSIONS.
 7 METRIC THREADS TO BS 3643/BIN 13.
 8 UNIFIED THREADS TO BS 1580.

| ASSOCIATED SPECIFICATIONS |
|---------------------------|
| - |

| MATERIAL |
|----------|
| - |

| DRAWN | DATE |
|---------------------|------------|
| HS Ubh1 | 20. 10. 08 |
| CHECKED | DATE |
| RC Mallaby | 20. 10. 08 |
| APPROVED SPECIALIST | DATE |
| MJ Parker | 20. 10. 08 |
| APPROVED FOR ISSUE | DATE |
| RC Mallaby | 20. 10. 08 |

| TITLE | |
|--------------------------------|-----|
| ISO CABLE ASSEMBLY MALE/FEMALE | |
| ORIGINAL SCALE | VAS |
| NTS | - |
| SHEET 1 OF 1 | |

Haldex
 HALDEX BRAKE PRODUCTS LTD.
 MOONS MEAT DRIVE, REDDITCH, WORCS. B98 7HA
 PART No.
 814 022 000 2