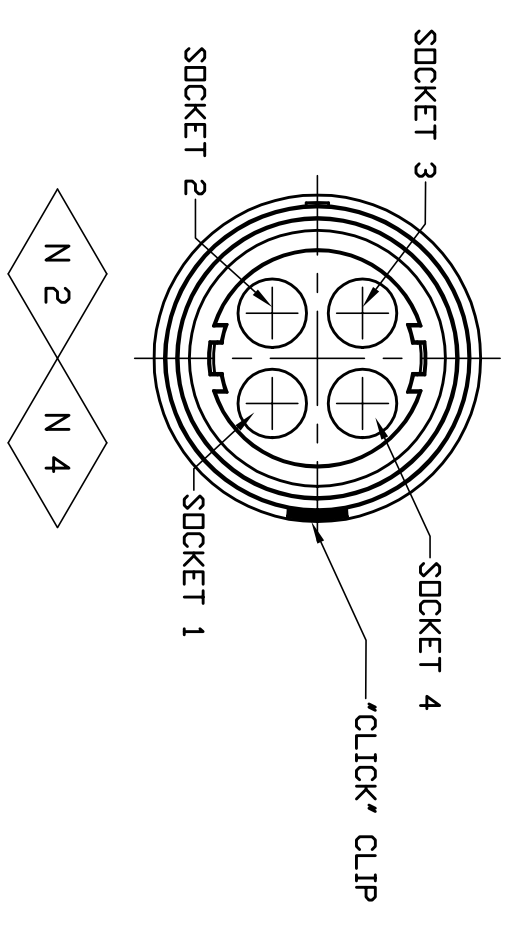
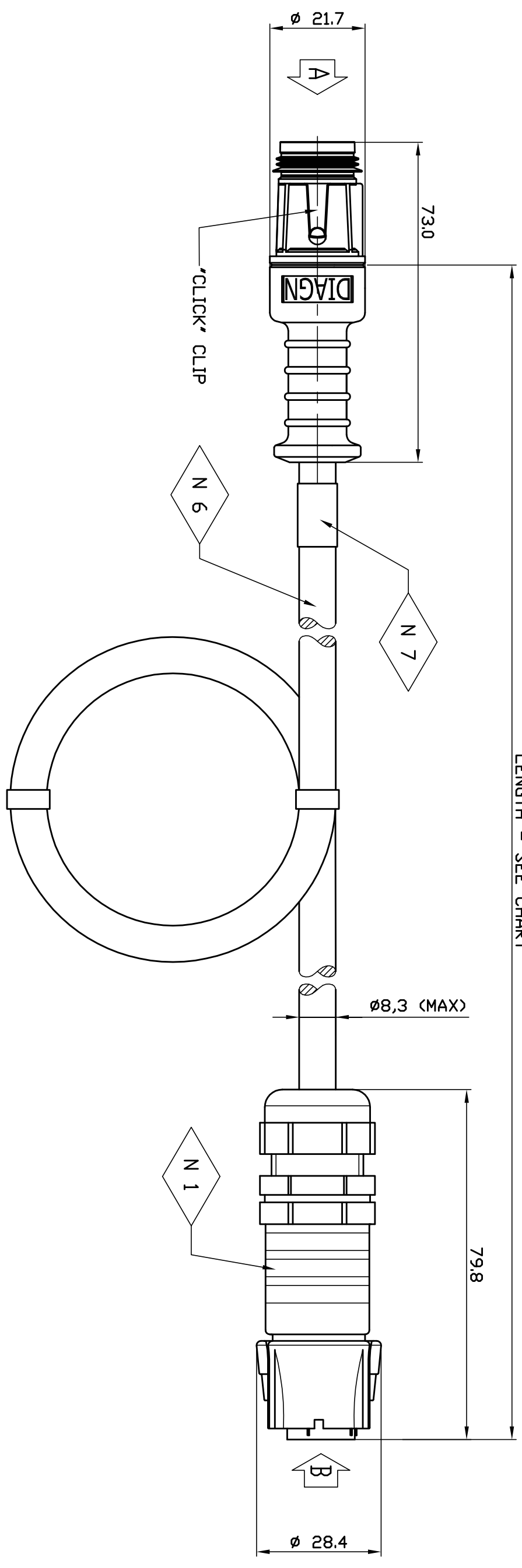
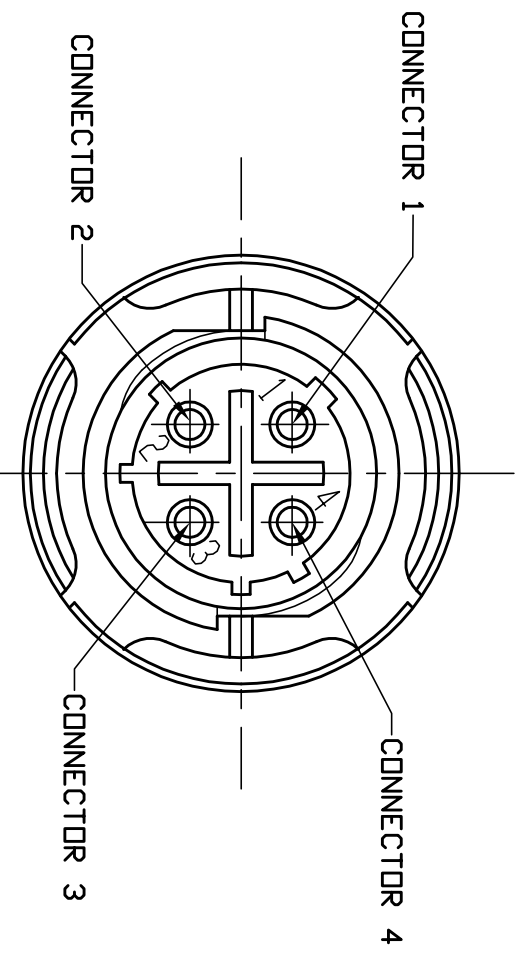


PART No.
814 025 000 2

LENGTH - SEE CHART



SCALE 2 : 1



SCALE 2 : 1

ASSY NO	LENGTH
814 025 001	1000/900 mm



AutoCAD PART

THIS DRAWING/DOCUMENT IS COPYRIGHT AND THE PROPERTY OF HALDEX BRAKE PRODUCTS LIMITED. IT MUST NOT BE COPIED (IN WHOLE OR IN PART) USED FOR MANUFACTURE OR OTHERWISE DISCLOSED WITHOUT PRIOR WRITTEN CONSENT OF THE COMPANY. ANY COPIES OF THIS DRAWING/DOCUMENT MADE BY ANY METHOD MUST ALSO INCLUDE A COPY OF THIS LEGEND.

© 2009

NOTE: UNLESS OTHERWISE STATED THE FOLLOWING APPLIES

1. ISO METHOD A
2. S.I. UNITS
3. SURFACE FINISH TO BS 308/BS 1134
4. DIMS. APPLY AFTER CHEMICAL OR ELECTRO-PLATED FINISH.
5. WELD SYMBOLS TO BS 499
6. DATUM DIMENSIONS.
7. METRIC THREADS TO BS 3643/DIN 13.
8. UNFILED THREADS TO BS 1380.

ASSOCIATED SPECIFICATIONS

MATERIAL	HEAT TREATMENT	FINISH	FORM
-	-	-	-

DRAWN	CHECKED	APPROVED SPECIALIST	APPROVED FOR ISSUE
P Lehe l		JPH	JPH

DATE	DATE	DATE	DATE
05.10.09	18/02/10	18/02/10	18/02/10

TITLE

ORIGINAL SCALE 1 : 1

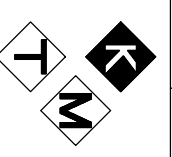
INFO CENTRE 2
CABLE ASSEMBLY
- SIDE OF VEHICLE

HALDEX BRAKE PRODUCTS LTD.
MEDONS MAAT DRIVE, REDDITCH, WORCS. B98 7HA

Halldex

PART No.
814 025 000 2

WAS SHEET 1 OF 1



THIS DRAWING/SPECIFICATION USES CLASSIFIED CHARACTERISTIC SYMBOLS DEFINED IN QUALITY PROCEDURE 4.17

ISS	CHANGE	CHEC	DATE	ISS	CHANGE	CHEC	DATE
1	PR1969	PL	05.10.09				

COMPUTER PRODUCED DRAWING
MUST NOT BE CHANGED MANUALLY

- N 1 'SIDE OF VEHICLE' CONNECTOR (BLACK).
- N 2 VIEW IN DIRECTION OF ARROW A.
- N 3 VIEW IN DIRECTION OF ARROW B.
- N 4 SOCKET CONFIGURATION :
SOCKET 1 : CAN L
SOCKET 2 : B-
SOCKET 3 : B+
SOCKET 4 : CAN H
- N 5 'SIDE OF VEHICLE' CONNECTOR CONFIGURATION :
CONNECTOR 1 : B+
CONNECTOR 2 : CAN H
CONNECTOR 3 : CAN L
CONNECTOR 4 : B-
- N 6 WIRE CROSS SECTIONAL AREA 0.75mm², CABLE OUTER SHEATH MATERIAL : PVC
- N 7 PART NUMBER IDENTIFICATION.