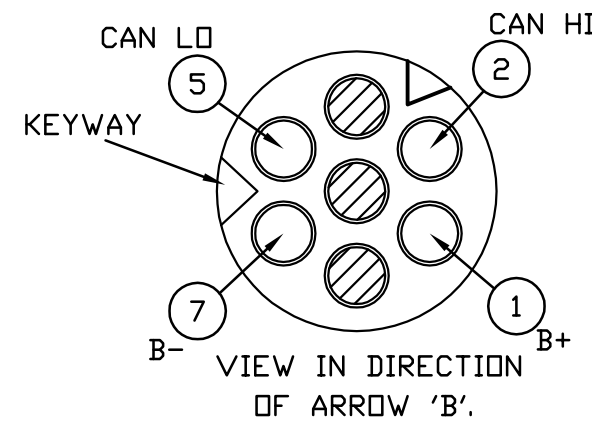
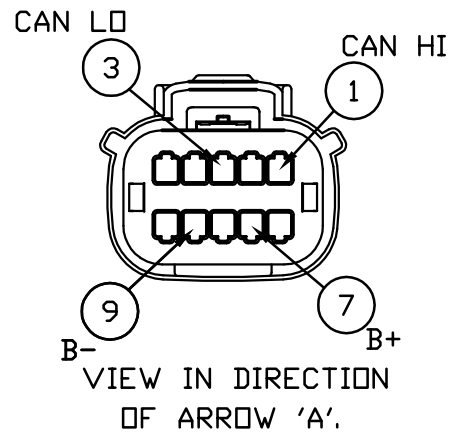


PART No.
814 031 000 2

COMPUTER PRODUCED DRAWING
MUST NOT BE CHANGED MANUALLY



- N 1 SEE CHART FOR CABLE ASSEMBLY PART NUMBER.
- N 2 YELLOW DUST CAP TO REMAIN IN PLACE UNTIL FITMENT TO ECU
- N 3 CABLE IS SUPPLIED COILED IN A PLASTIC BAG
- N 4 CABLE A - INSULATION MATERIAL
- PVC
WIRE CROSS SECTIONAL AREA
- 0.75mm²
- N 5 CABLE B - INSULATION MATERIAL
- PVC
WIRE CROSS SECTIONAL AREA
- 0.75mm²
- N 6 CABLE C - INSULATION MATERIAL
- PVC
WIRE CROSS SECTIONAL AREA
- 0.75mm²
- N 7 SEAL TO BE PROTECTED FROM DAMAGE PRIOR TO ASSEMBLY
- N 8 CONFORMS TO IP67 (BS EN 60529) WHEN MATED WITH EB+ ECU
- N 9 CONFORMS TO IP67 (BS EN 60529) WHEN MATED WITH LDL RCU
- N10 CONFORMS TO IP67 (BS EN 60529) WHEN MATED WITH INFO CENTRE 2/Y-SPLITTER
- N11 CONFORMS TO IP67 (BS EN 60529)
- N12 PART NUMBER IDENTIFICATION

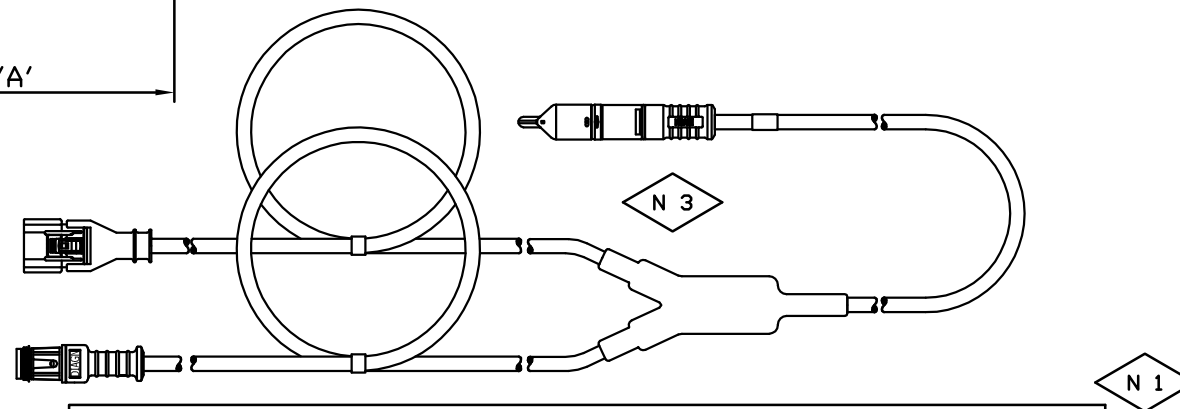
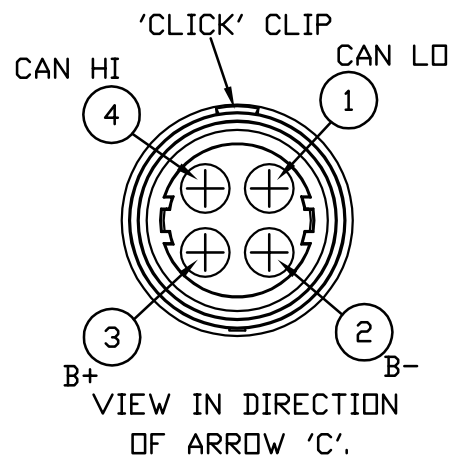
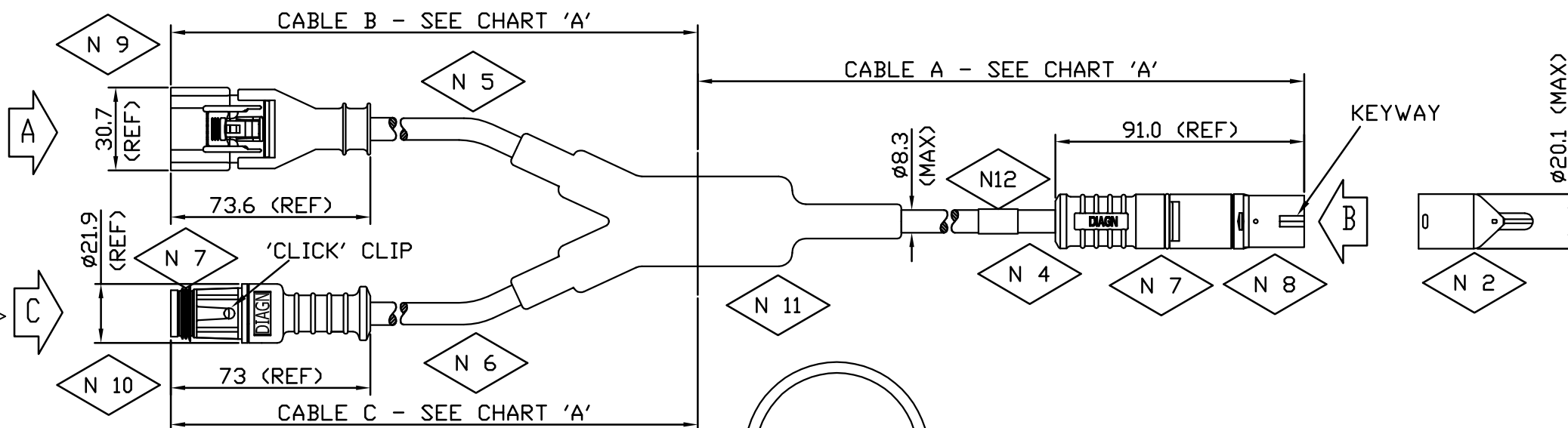


CHART 'A'			
ASSY NO	CABLE A (MIN)	CABLE B (MIN)	CABLE C (MIN)
814 031 001	1.0m	1.2m	5.5m

K **M**
T THIS DRAWING/SPECIFICATION USES CLASSIFIED CHARACTERISTIC SYMBOLS DEFINED IN QUALITY PROCEDURE 4.17

1	PR2090	GIL	29.08.11				
ISS	CHANGE	CHEC	DATE	ISS	CHANGE	CHEC	DATE

AutoCAD PART
THIS DRAWING/DOCUMENT IS COPYRIGHT AND THE PROPERTY OF HALDEX BRAKE PRODUCTS LIMITED. IT MUST NOT BE COPIED (IN WHOLE OR IN PART) USED FOR MANUFACTURE OR OTHERWISE DISCLOSED WITHOUT PRIOR WRITTEN CONSENT OF THE COMPANY. ANY COPIES OF THIS DRAWING/DOCUMENT MADE BY ANY METHOD MUST ALSO INCLUDE A COPY OF THIS LEGEND. © 2011

NOTE: UNLESS OTHERWISE STATED THE FOLLOWING APPLIES
1 ISO METHOD A PROJECTION.
2 S.I. UNITS.
3 SURFACE FINISH TO BS 308/BS 1134.
4 DIMS. APPLY AFTER CHEMICAL OR ELECTRO-PLATED FINISH.
5 WELD SYMBOLS TO BS 499.
6 DATUM DIMENSIONS.
7 METRIC THREADS TO BS 3643/DIN 13.
8 UNIFIED THREADS TO BS 1580.

ASSOC SPECS.	BS EN 60529		
MATERIAL		DRAWN G LEDINGHAM	DATE 01.07.11
HEAT TREATMENT		CHECKED	DATE 04/01/12
FINISH		APPROVED SPECIALIST JPH	DATE 04/01/12
FORM		APPROVED FOR ISSUE JPH	DATE 04/01/12

TITLE
TPMS
Y-SPLITTER CABLE
EB+ GEN2
SCALE WAS -
SHEET 1 OF 1

HALDEX BRAKE PRODUCTS LTD
MOONS MOAT DRIVE,
REDDITCH, WORCS.
B98 9HA
Haldex
PART No.
814 031 000 2
A3