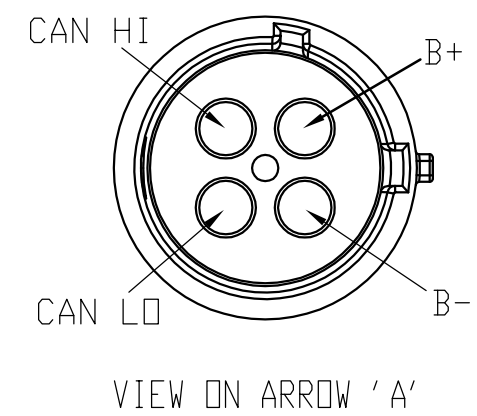
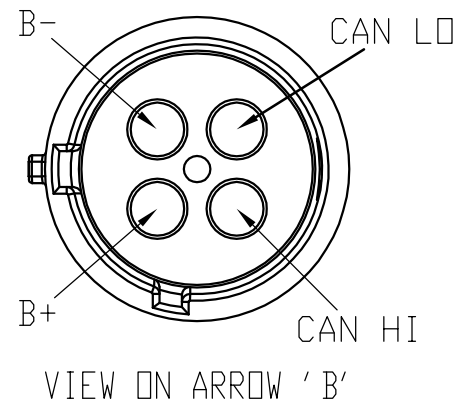
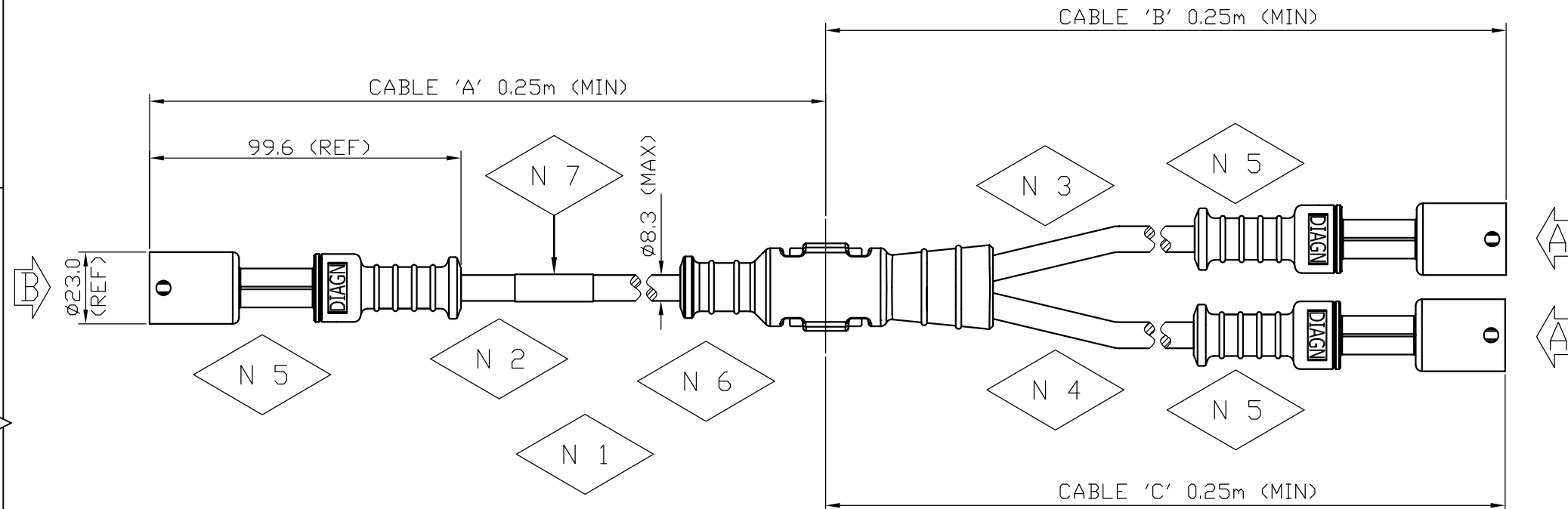


PART No. 814 038 001 2

COMPUTER PRODUCED DRAWING
MUST NOT BE CHANGED MANUALLY



PART NUMBER 814 038 001

- N 1 CABLE IS SUPPLIED IN A PLASTIC BAG
- N 2 CABLE A - INSULATION MATERIAL
- PVC
WIRE CROSS SECTIONAL AREA
- 0.75mm²
- N 3 CABLE B - INSULATION MATERIAL
- PVC
WIRE CROSS SECTIONAL AREA
- 0.75mm²
- N 4 CABLE C - INSULATION MATERIAL
- PVC
WIRE CROSS SECTIONAL AREA
- 0.75mm²
- N 5 CONFORMS TO IP67 (BS EN 60529)
WHEN MATED WITH 4 POLE AUXILIARY
STYLE PLUGS
- N 6 CONFORMS TO IP67 (BS EN 60529)
- N 7 PART NUMBER IDENTIFICATION

K **M**
T THIS DRAWING/SPECIFICATION USES
CLASSIFIED CHARACTERISTIC
SYMBOLS DEFINED IN QUALITY
PROCEDURE 4.17

ISS	CHANGE	CHEC	DATE	ISS	CHANGE	CHEC	DATE
1	PR2090	GIL	07-09-11				

AutoCAD PART
THIS DRAWING/DOCUMENT IS
COPYRIGHT AND THE PROPERTY OF
HALDEX BRAKE PRODUCTS LIMITED.
IT MUST NOT BE COPIED (IN WHOLE
OR IN PART) USED FOR MANUFACTURE
OR OTHERWISE DISCLOSED WITHOUT
PRIOR WRITTEN CONSENT OF THE
COMPANY. ANY COPIES OF THIS
DRAWING/DOCUMENT MADE BY ANY
METHOD MUST ALSO INCLUDE A COPY
OF THIS LEGEND. © 2011

NOTE: UNLESS OTHERWISE STATED THE FOLLOWING APPLIES
1 ISO METHOD A PROJECTION.
2 S.I. UNITS.
3 SURFACE FINISH TO BS 308/BS 1134.
4 DIMS. APPLY AFTER CHEMICAL OR ELECTRO-PLATED FINISH.
5 WELD SYMBOLS TO BS 499.
6 D DATUM DIMENSIONS.
7 METRIC THREADS TO BS 3643/DIN 13.
8 UNIFIED THREADS TO BS 1580.

ASSOC SPECS.	BS EN 60529				
MATERIAL		DRAWN	G LEDINGHAM	DATE	01.07.11
HEAT TREATMENT		CHECKED		DATE	04/01/12
FINISH		APPROVED SPECIALIST	JPH	DATE	04/01/12
FORM		APPROVED FOR ISSUE	JPH	DATE	04/01/12

TITLE
EB+ AUXILIARY
Y-SPLITTER CABLE
ASSY
4x4x4 WAY
SCALE NTS
WAS -
SHEET 1 OF 1

HALDEX BRAKE PRODUCTS LTD
MOONS MOAT DRIVE,
MOONS MOAT NORTH,
REDDITCH, WORCS.
B98 9HA
PART No.
814 038 001 2
A3