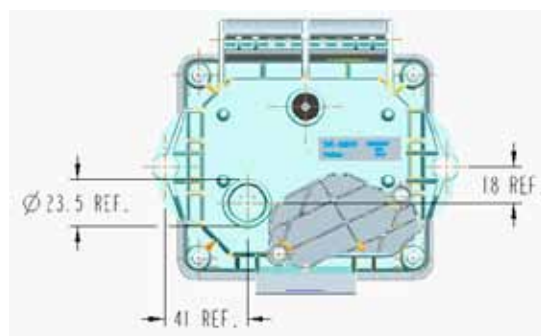
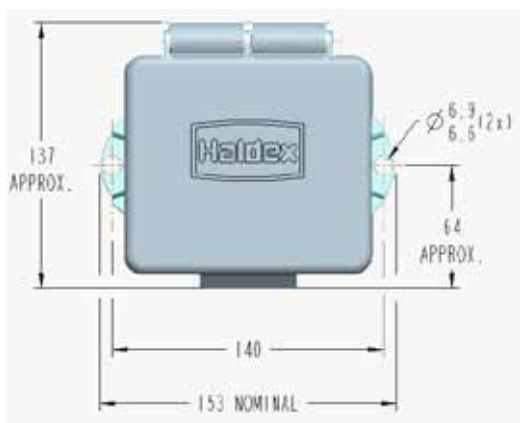


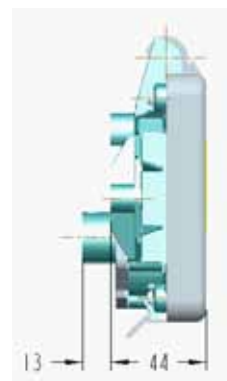
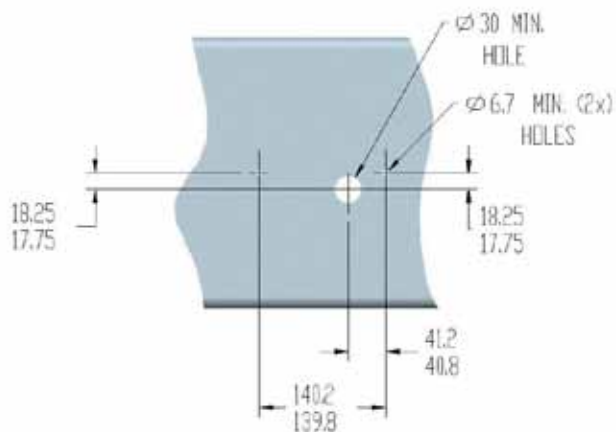
Installation Instructions

EB+ INFO CENTRE 2

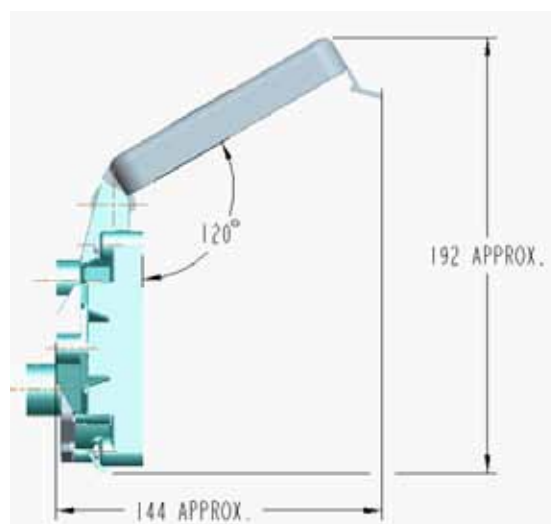
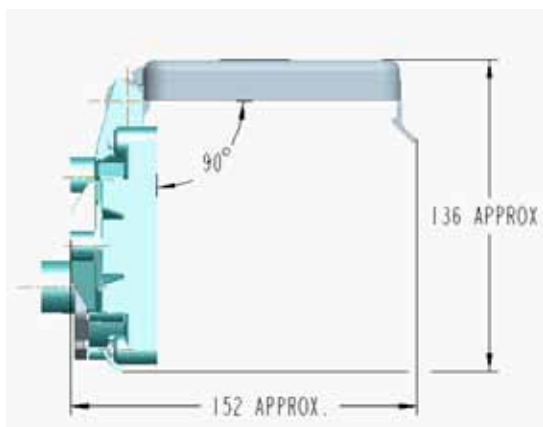
Overall Dimensions



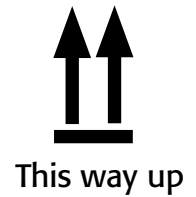
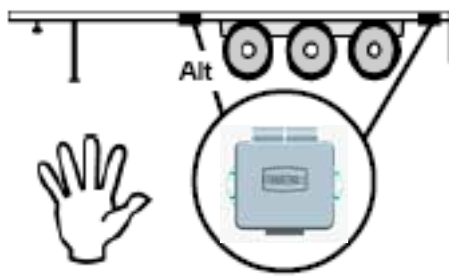
Mounting Dimensions



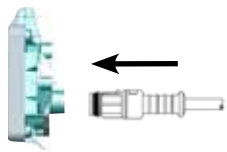
Height Restrictions



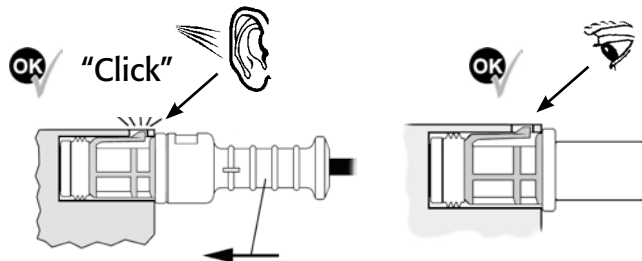
Mounting Position



Connecting the Cable

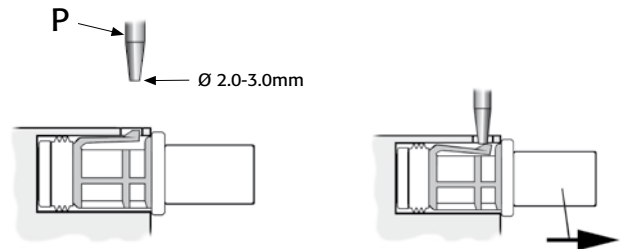


Ensure contact pins and seal are kept clean and free of any contamination prior to installation. Insert fully home in the ECU's housing into appropriate marked positions.



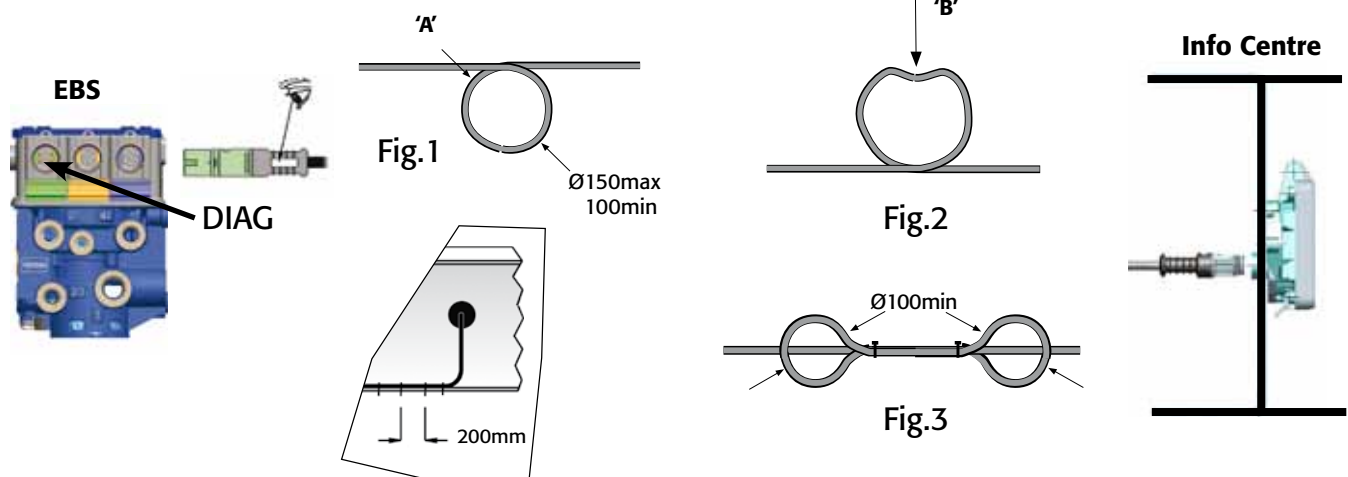
Removing the Cable

With a tool 'P' having a flat end of $\text{Ø}2\text{-}3\text{mm}$ insert and press in locking tab of plug. While depressed pull out plug from housing.



Cabling Information

Cabling Options between the Info Centre and EBS System (see text)



Anti-vibration support

Excess cable must not be allowed to hang free, but must be attached to the chassis to prevent damage due to vibration and abrasion.

Excess cable

Excess cable length between 315-470mm should be coiled into a loop of 100mm minimum and 150mm maximum diameter 'A' (Fig.1)

Excess length which will not form a complete loop may be left to hang in partial loops having a cable bend radius of 50mm minimum.

Excess cable length GREATER than 470mm should be coiled and then flattened in the centre 'B' (Fig.2) to produce a 'dog bone' shape (Fig.3)

The resulting loops at the end must have a minimum bend radius of 50mm. Cable ties are to be used to fix the cable in the flattened loop shape.

More than **one** looped cable **must not** be looped together.

