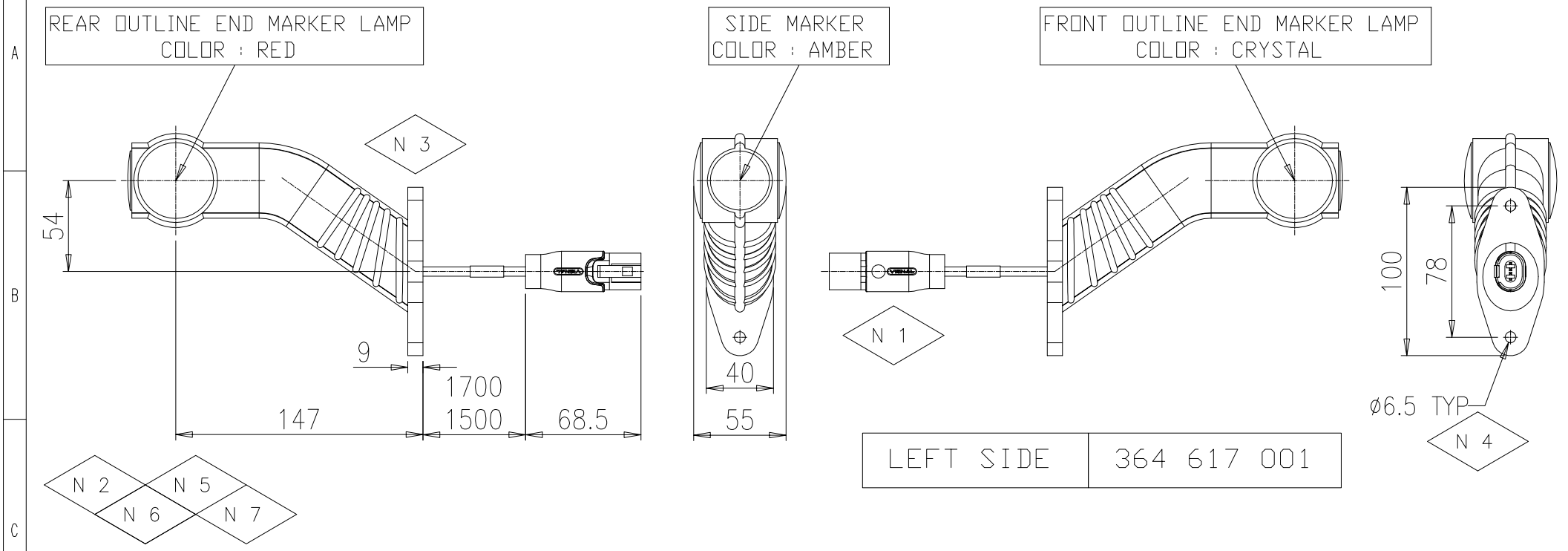
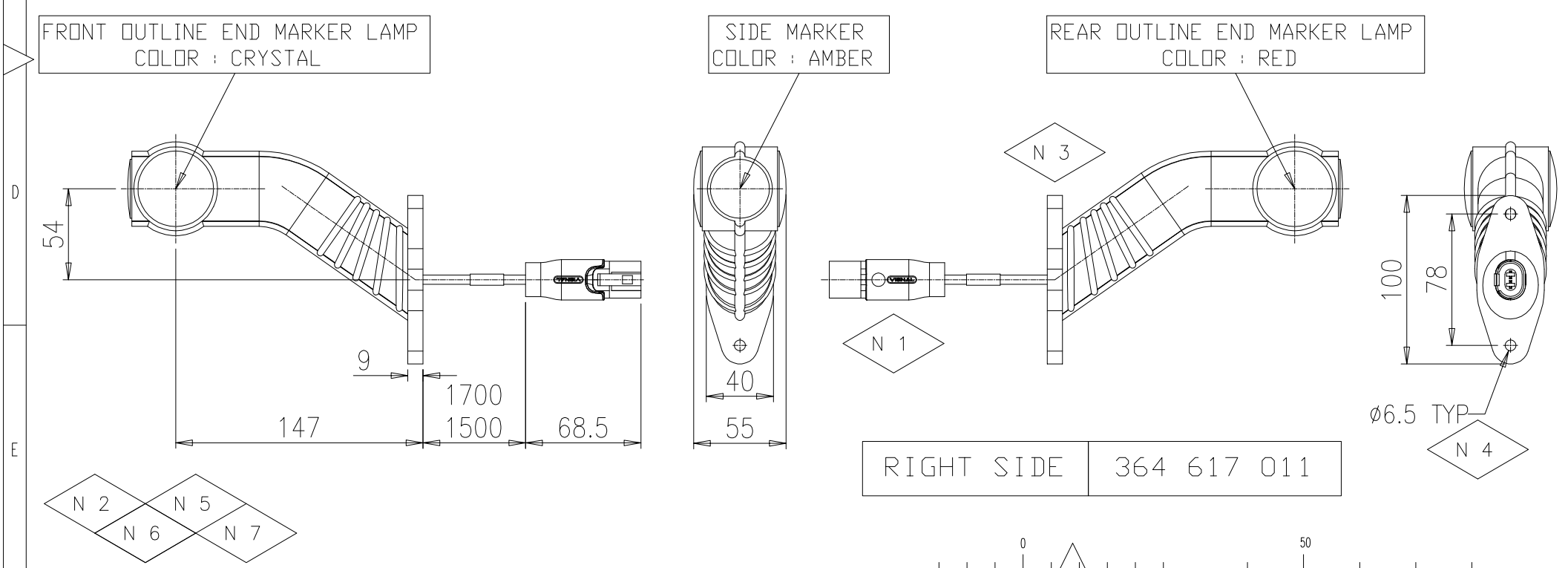


PART No. 364 617 000 2

COMPUTER PRODUCED DRAWING  
MUST NOT BE CHANGED MANUALLY



- N 1 CONFORMS TO IP54 RATING (BS EN 60529) WHEN CONNECTED TO LOOM.
- N 2 VOLTAGE: 28V  
POWER: 1.2W
- N 3 END OUTLINE MARKERS ARE TO BE SECURED TO A FLAT AREA, MOUNTED IN ORIENTATION AS SHOWN WHEN LOOKING FROM THE REAR OF THE TRAILER TOWARDS THE TRUCK.
- N 4 EACH MARKER IS TO BE SECURED WITH TWO M5 SCREWS. TIGHTEN TO A MAXIMUM TORQUE OF 3.0Nm.
- N 5 THIS PRODUCT IS FULLY COMPLIANT WITH ADR.
- N 6 THIS PRODUCT IS COMPLIANT WITH THE FOLLOWING REGULATIONS:  
LIGHTING SYSTEMS ECE R48  
OUTLINE END MARKER LAMP ECE R7  
SIDE MARKER LAMP ECE R91  
EXTERNAL PROJECTIONS ECE R26  
EMC ECE R10/3 & 72/5
- N 7 FOR INSTALLATION INSTRUCTIONS REFER TO THE LATEST VERSION OF DOCUMENT 006 300 035 ON FINDEX.



**K** **M**  
**T** THIS DRAWING/SPECIFICATION USES CLASSIFIED CHARACTERISTIC SYMBOLS DEFINED IN QUALITY PROCEDURE 4.17


1	PR2151_4	MPH	25-07-14	ISS	CHANGE	CHEC	DATE
---	----------	-----	----------	-----	--------	------	------

THIS DRAWING/DOCUMENT IS COPYRIGHT AND THE PROPERTY OF HALDEX BRAKE PRODUCTS LIMITED. IT MUST NOT BE COPIED (IN WHOLE OR IN PART) USED FOR MANUFACTURE OR OTHERWISE DISCLOSED WITHOUT PRIOR WRITTEN CONSENT OF THE COMPANY. ANY COPIES OF THIS DRAWING/DOCUMENT MADE BY ANY METHOD MUST ALSO INCLUDE A COPY OF THIS LEGEND. © 2014

NOTE: UNLESS OTHERWISE STATED THE FOLLOWING APPLIES  
 1 ISO METHOD A  $\oplus$  PROJECTION.  
 2 S.I. UNITS.  
 3 SURFACE FINISH TO BS 308/BS 1134.  
 4 DIMS. APPLY AFTER CHEMICAL OR ELECTRO-PLATED FINISH.  
 5 WELD SYMBOLS TO BS 499.  
 6 D DATUM DIMENSIONS.  
 7 METRIC THREADS TO BS 3643/DIN 13.  
 8 UNIFIED THREADS TO BS 1580.

ASSOC SPECS.	BS EN 60529		
MATERIAL		DRAWN M. HOLDER	DATE 24-07-14
HEAT TREATMENT		CHECKED <i>Kalpe</i>	DATE 25/07/14
FINISH		APPROVED SPECIALIST <i>JK</i>	DATE 25/07/14
FORM		APPROVED FOR ISSUE <i>P.M. Webb</i>	DATE 28/07/14

TITLE RH & LH LED END OUTLINE MARKERS EB+ SOFT DOCKING	
ORIGINAL SCALE 3:10	WAS —
SHEET 1 OF 1	

HALDEX BRAKE PRODUCTS LTD  
MIRA TECHNOLOGY PARK,  
LINDLEY,  
WARWICKSHIRE,  
CV13 6DE

**Haldex**

PART No. 364 617 000 2