



Created by C A D

# AIR SUSPENSION SYSTEM with LIFTING AXLE

for 2- or 3-AXLE SEMITRAILER

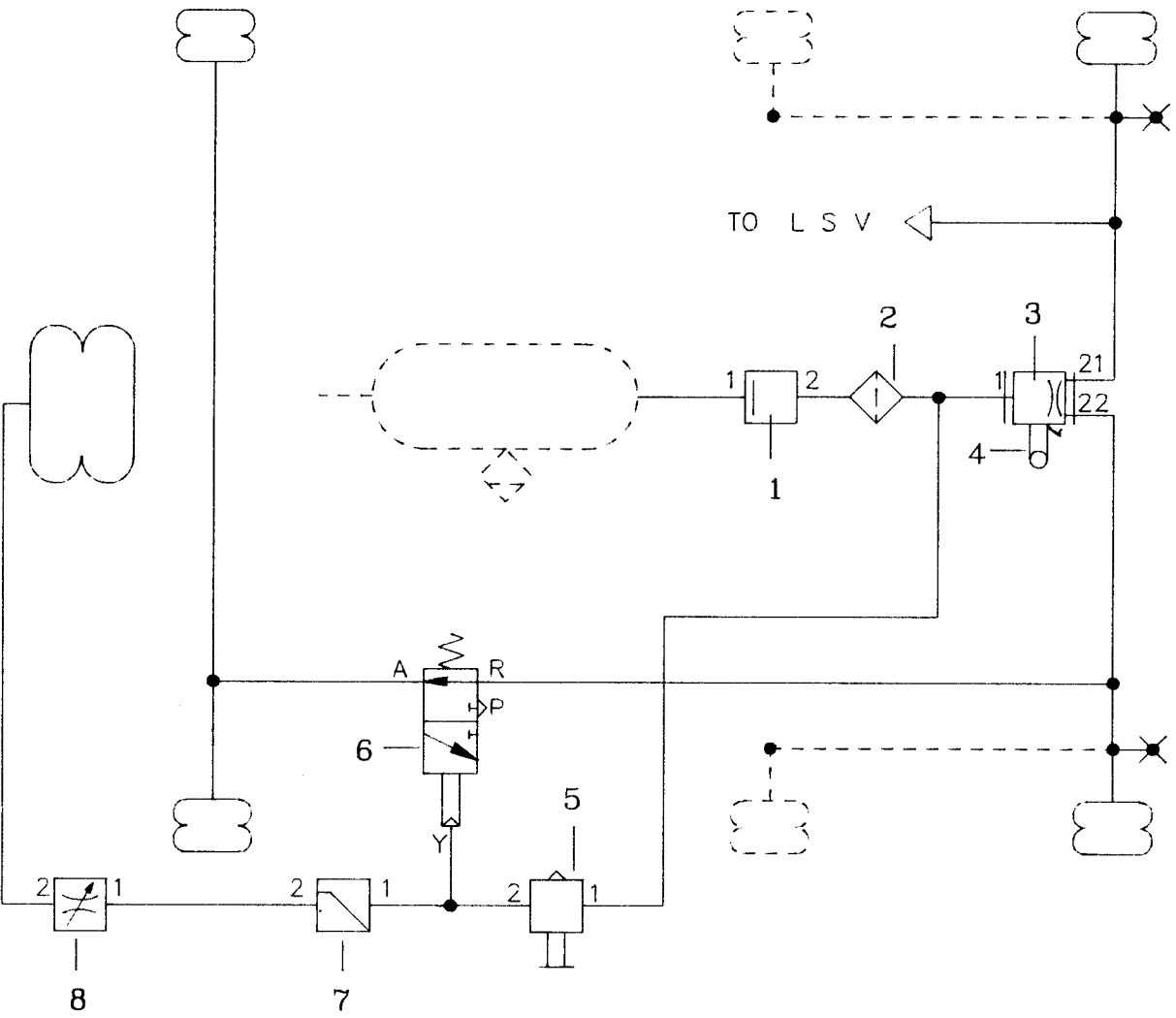
380 076 760

CUSTOMER :

BLATTZ.: 1

BLATT : 1

SYMBOLS : DIN 74253



Client : for 2- or 3 - AXLE SEMI TRAILER

1988/10/12

Vehicle :

Page 1

---

<b>Pos.</b>	<b>Qty.</b>	<b>Description</b>	<b>Part number</b>
1	1	PRESSURE PROTECTION VALVE without BACKFLOW	314 012 104
2	1	LINE FILTER	310 005 011
3	1	LEVELLING VALVE 612 018 ... or	612 035 ...
4	1	ACTUATING LEVER	612 025 001
5	1	3/2 - WAY PUSH-PULL VALVE 352 019 011 or	352 019 001
6	1	3/2-WAY VALVE , pneum. controlled 554 020 001 or	554 005 001
7	1	PRESSURE LIMITING VALVE (OPTION)	357 012 031
8	1	FLOW REGULATING VALVE (OPTION)	... ..