



Created by C A D

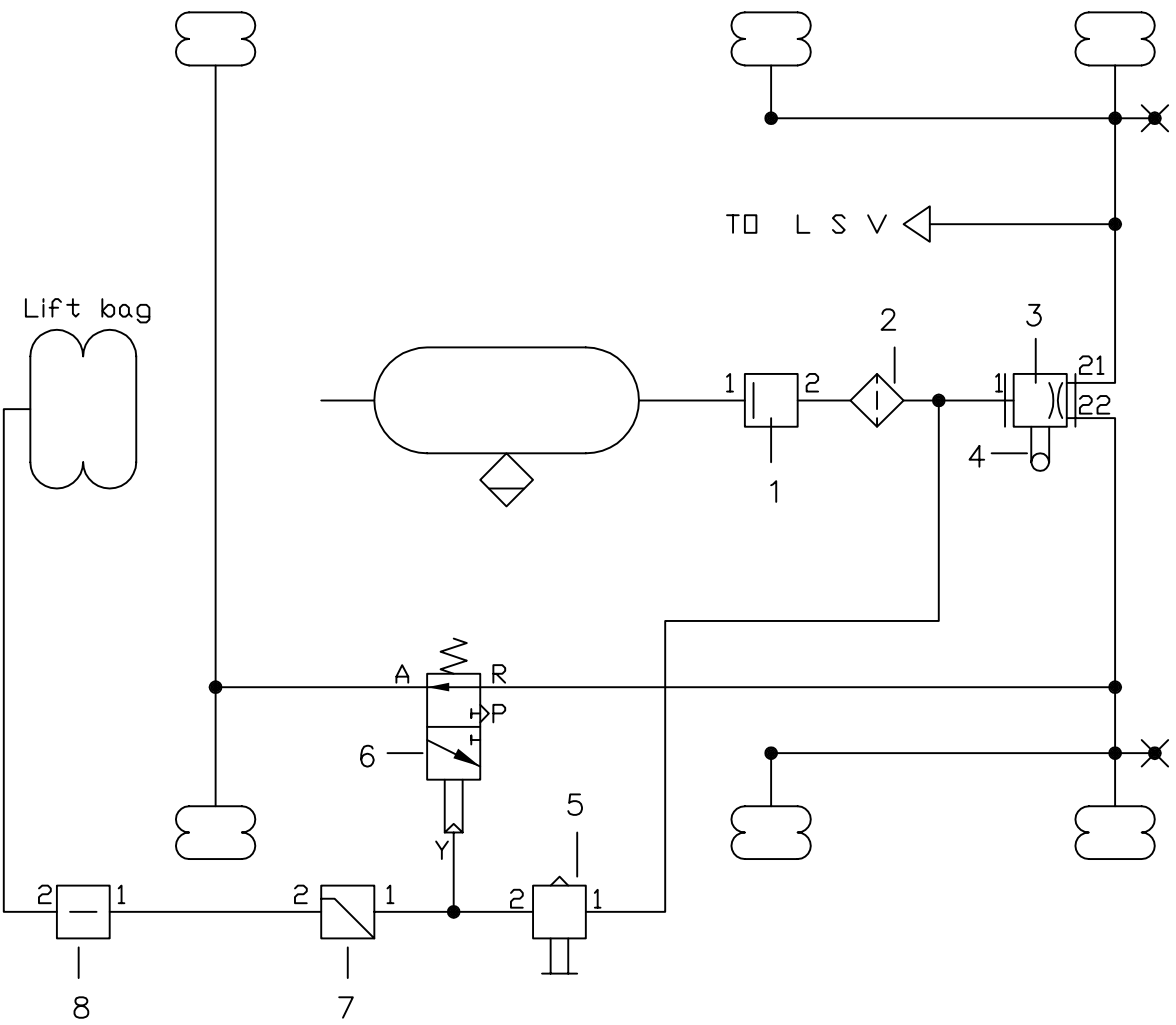
AIR SUSPENSION SYSTEM
with LIFTING AXLE
for 2- or 3-AXLE SEMITRAILER

380 076 761

CUSTOMER :

BLATTZ. 1

BLATT . 1



SYMBOLS : DIN 74253

Client : for 2- or 3 - AXLE SEMI TRAILER

18.01.2012

Vehicle :

Page 1

Pos.	Qty.	Description	Part number
1	1	PRESSURE PROTECTION VALVE without BACKFLOW	314 012 104
2	1	LINE FILTER	310 005 011
3	1	LEVELLING VALVE 612 018 ... or	612 035 ...
4	1	ACTUATING LEVER	612 025 001
5	1	3/2 - WAY PUSH-PULL VALVE 352 019 011 or	352 019 001
6	1	3/2-WAY VALVE , pneum. controlled 554 020 001 or	554 005 001
7	1	PRESSURE LIMITING VALVE (OPTION)	357 012 031
8	1	PRESSURE PROTECTION VALVE for REMAINING PRESSURE (OPTION)	314 013 012