

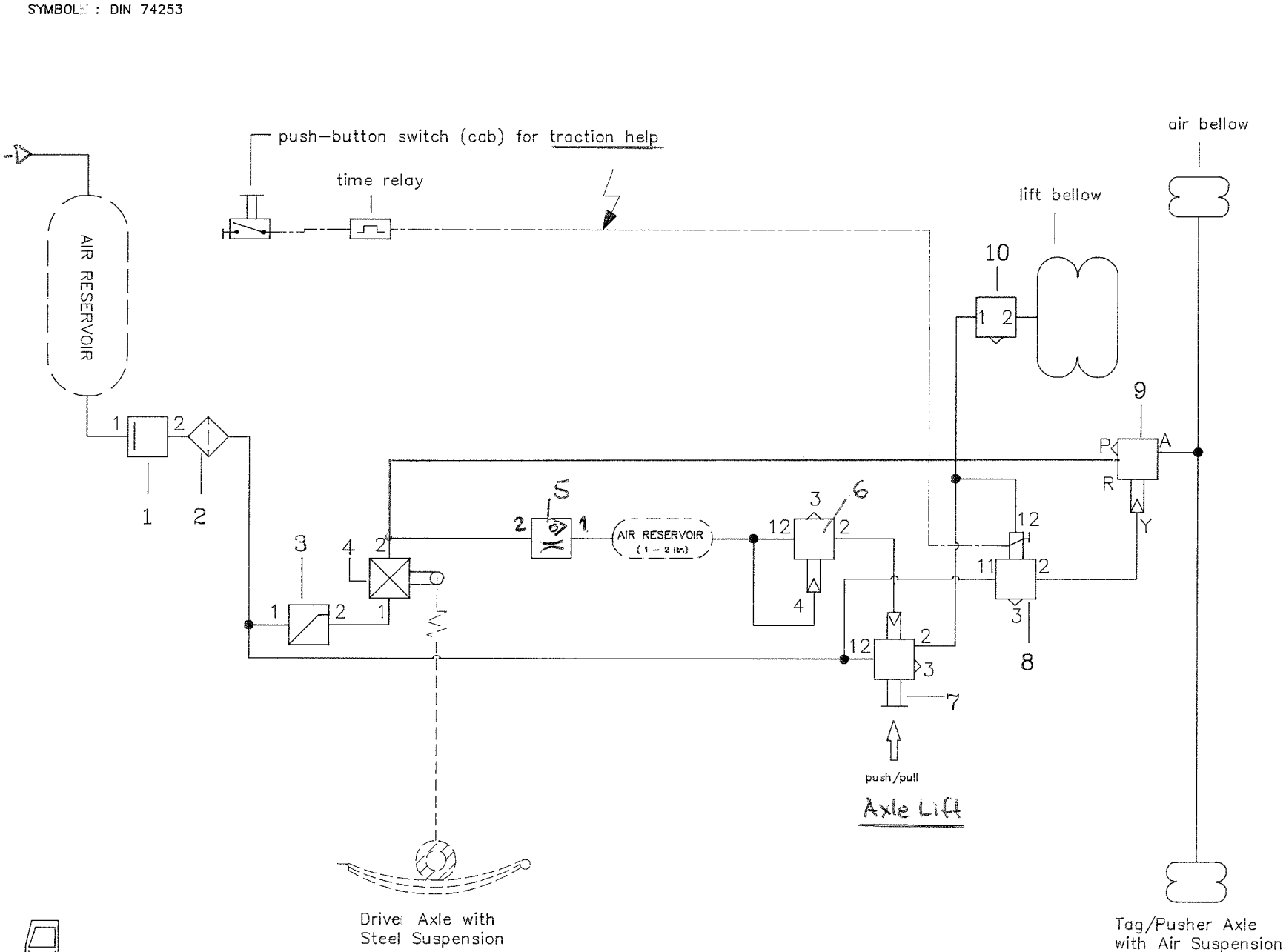
AIR SUSPENSION FOR PUSHER AXLE

WITH AXLE LIFT AND DEVICE FOR LOAD TRANSFER TO DRIVE AXLE (TRACTION HELP)

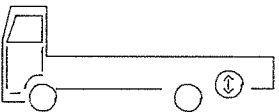
HARBERS & ASSOCIATES , OREGON - USA

380 078 990

BLATTZ.: 2 BLATT : 1



SYMBOLS : DIN 74253



 -GRAU- : AIR SUSPENSION FOR PUSHER AXLE WITH PARTS LIST
 -BREMSE- : AXLE LIFT AND DEVICE FOR LOAD TRANSFER 380 078 990
 ---GMBH--- : TO DRIVE AXLE (TRACTION HELP)
 ----- : TYPE :
 : MANUFACTURER : HARBERS&ASSOCIATES, OREGON-USA SH-N 2 ! SH 2

ITEM	QTY.	DESCRIPTION :	PARTNUMBER :
1	1	PRESSURE PROTECTION VALVE (6.0 bar)	314 012 004 ¹⁾
2	1	AIR FILTER	310 005 011
3	1	PRESSURE LIMITING VALVE 357 004 021..027 OR	357 012 031 ¹⁾
4	1	PRESSURE REGULATING VALVE ,MECH. CONTROLLED	613 005 001 ¹⁾
5	1	THROTTLE VALVE	514 001 001 ¹⁾
6	1	CONTR.-VALVE(ADJUSTABLE PRESET PRESSURE)	352 022 ... ¹⁾
7	1	MANUAL OPERATED LIFT-AXLE VALVE	352 021 001
8	1	3/2-WAY SOLENOID VALVE 12/24 DC	360 009 241
9	1	3/2-WAY VALVE , PNEUM.CONTROLLED	554 005 001
10	1	QUICK RELEASE VALVE (OPTION)	356 012 031
OR	1	LIMITING VALVE (FOR MAX. PRESSURE)	357 012 031 ¹⁾
OR	1	OVER FLOW VALVE (FOR MIN. PRESSURE)	314 013 012 ¹⁾

¹⁾ adjustable (by the chassis - manufacturer)

re-worked: 11.6.96 f 786

09/29/89 786 *f*