



Created by C A D

Air suspension system with one levelling valve

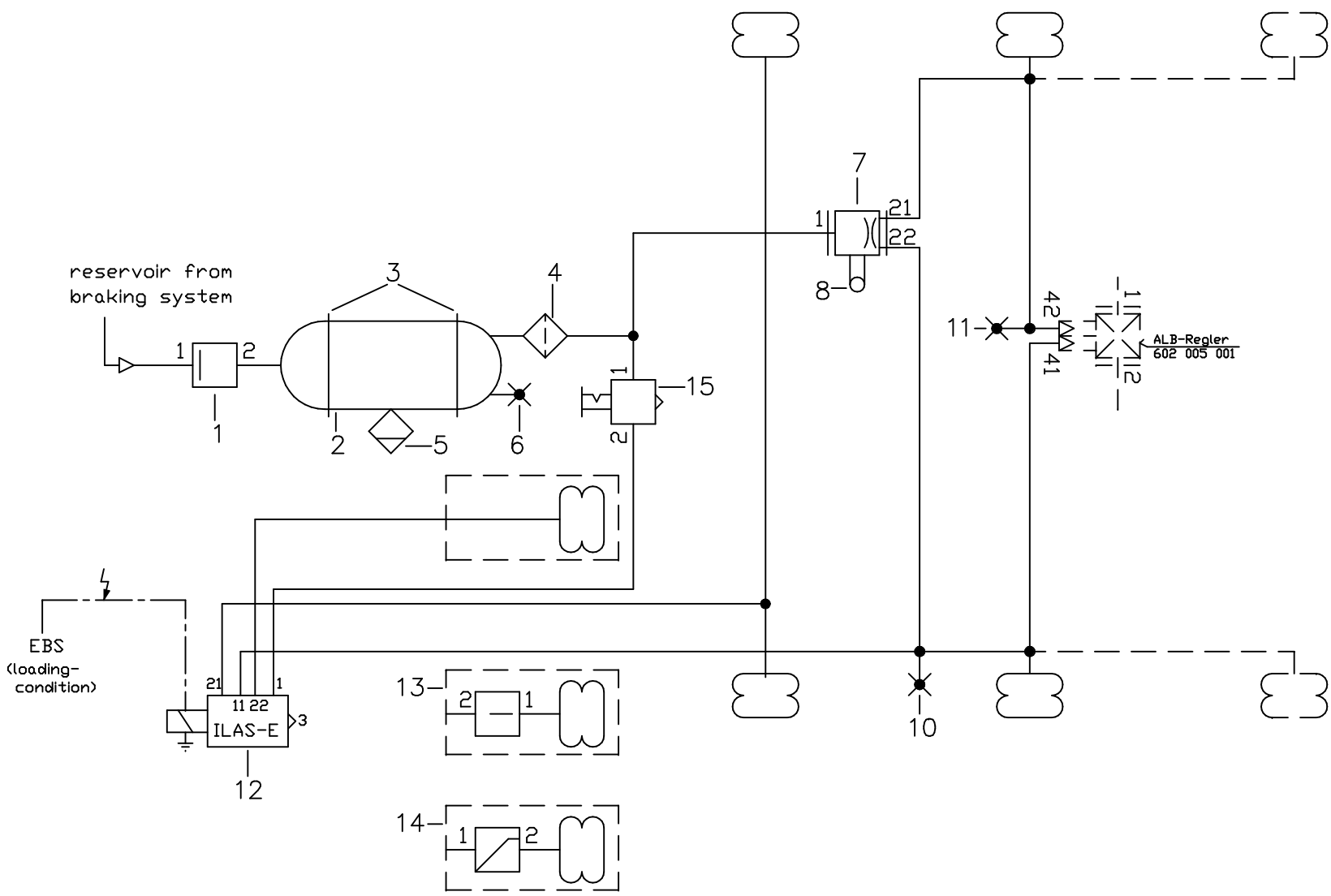
380 099 550

for 2- or 3- axle air suspension unit
with ILAS - E

manufacturer :

page 1 of 1

Symbols : DIN 74253



Client : with ILAS - E and manual drop down

20.08.2002

Vehicle : for 2- or 3- axle air suspension unit

Page 1

Pos.	Qty.	Description	Part number
1	1	PRESSURE PROTECTION VALVE w/o BACKFLOW (6,0 bar)	314 012 004
2	1	AIR RESERVOIR (EN) , V = ... ltr.	030 09
3	1	MOUNTING BRACKET , D = ... mm	030 09
4	1	LINE FILTER	310 005 011
5	1	DRAIN VALVE , manual	315 019 001
6	1	TEST POINT (ISO 3583) , M 22*1.5	318 040 001
7	1	LEVELLING VALVE 612 017 ... or	612 035 ...
8	1	ACTUATING LEVER	612 025 001
9	1	PRESSURE SWITCH	361 007 ...
10	1	TEST CONNECTION (ISO 3583) , M 12*1.5	318 036 001
11	1	SIMULATOR POINT for pneum.contr. L.S.V. (Option)	318 072 001
12	1	ILAS - E 352 061 or	352 062 ...
13	1	PRESSURE PROTECTION VALVE (e.g.SAF) Option	314 013 012
14	1	PRESSURE LIMITING VALVE (e.g.BPW) Option	357 012 031
15	1	PARK VALVE	352 019 011
16	1	PROTECTION COVER (RUBBER) for Pos. 9	025 0500 09