



created by C A D

# HALDEX - Air suspension system for bus with 2 drive heights and total lowering

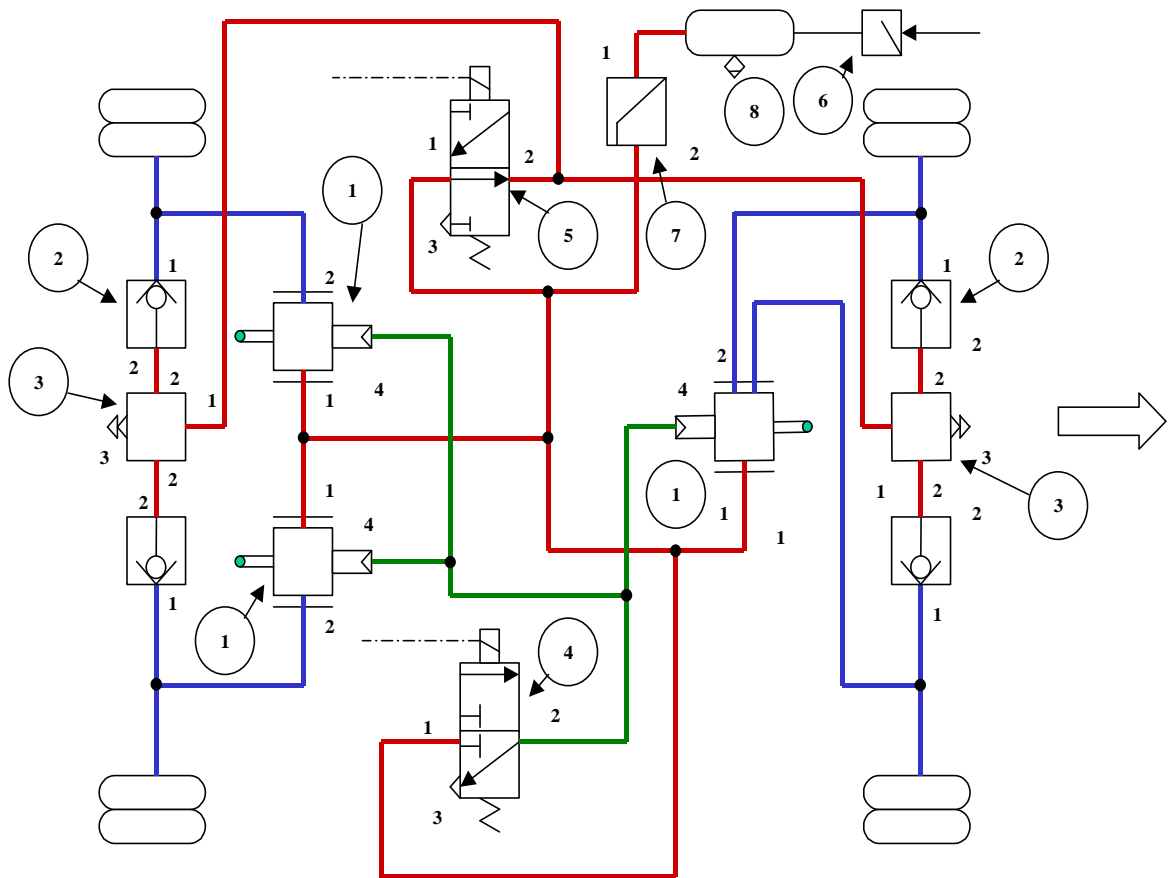
LAZ , Ukraine

380 101 070

page 1

of 1

Symbole : DIN 74253



29.06.2004 G.Sulzyc

Client :

2 drive heights and total lowering

05.07.2004

Vehicle : LAZ , Ukraine

Page 1

---

<b>Pos.</b>	<b>Qty.</b>	<b>Description</b>	<b>Part number</b>	
1	3	Levelling valve with 2.ride (Type 3, 20° shift)	612 046 ... *)	
2	4	Non return valve	314 001 001	
3	2	Quick release valve (with M22*1,5 Port 3)	356 023 031	
4	1	Solenoid valve, normally closed	360 009 241 **)	
5	1	Solenoid valve, normally open	360 009 241 *)	
6	1	Pressure protection valve	Option	314 014 009
7	1	Pressure limiting valve	Option	357 012 022
8	1	Mini automatic drain valve		315 016 021***)

\*) Additional 3 parts of axle linkage : 612 025 001

\*\*\*) Alternative to Pos. 4 and 5 : 360 009 341

\*\*\*) Alternative to Pos. 8 : Manual drain valve 315 019 001 - Option