



created by C A D

single circuit air suspension system
with C D L A S (lift / lower)
for 1,- 2,- or 3 - axle air suspension unit

manufacturer :

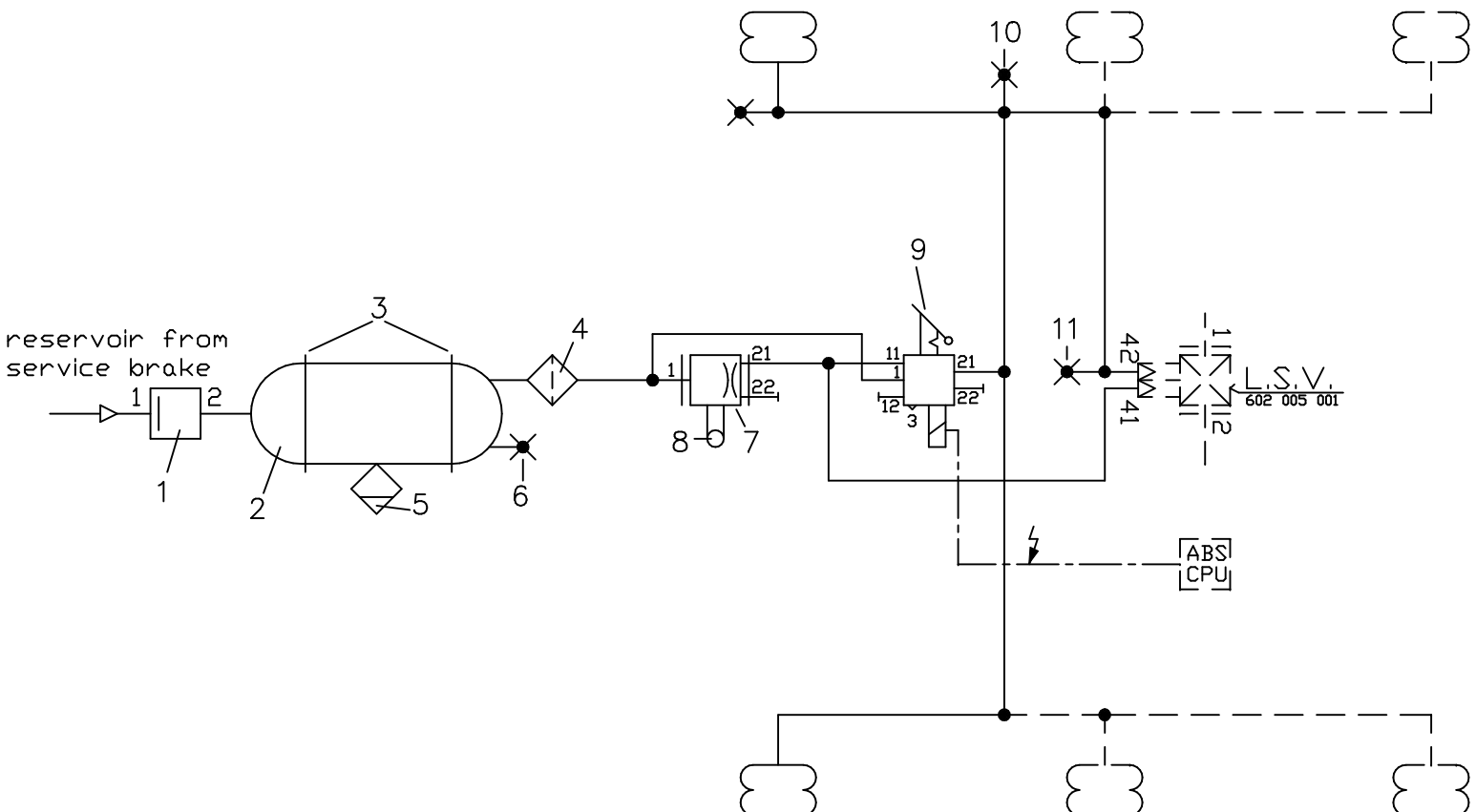
380 101 500

page : 1

of : 1

SYMBOLS : DIN 74253

ATTENTION : Before installation, this single circuit system must be permitted by the axle manufacturer !



HALDEX BRAKE PRODUCTS GmbH	single circuit air suspension system for	380 101 500
Client :	1 -, 2 - or 3 - axle air suspension unit	26.10.2004
Vehicle :	with C O L A S (lift / lower)	Page 1

Pos.	Qty.	Description	Part number
1	1	PRESSURE PROTECTION VALVE without BACKFLOW	314 012 004
2	1	AIR RESERVOIR (EN) , V >= ... ltr.	030 09
3	2	MOUNTING BRACKET , D = ... mm	030 09
4	1	LINE FILTER	310 005 011
5	1	DRAIN VALVE , manual	315 019 001
6	1	TEST POINT (ISO 3583) , M 22*1.5	318 040 001
7	1	LEVELLING VALVE (PLASTIC)	612 035 ...
8	1	ACTUATING LEVER	612 025 001
9	1	C O L A S	338
10	2	TEST CONNECTION (ISO 3583) , M 12*1.5	318 036 001
11	1	SIMULATOR POINT for pneum.controlled L.S.V.	318 072 001